



3 Way Standard Port Ball Valves

MULTI-PORT COMPETITOR SERIES

Model:

DM-MPT100-S4 3-Way

Size Range: 1/2"-3"

Pressure Rating: 1000 MAWP/WOG

Temperature Rating: Consult Factory

ISO Direct Mount Design

Low Cost, 304 Stainless Steel Ball Valves, Designed to Compete with Most Brass and Bronze Valves.

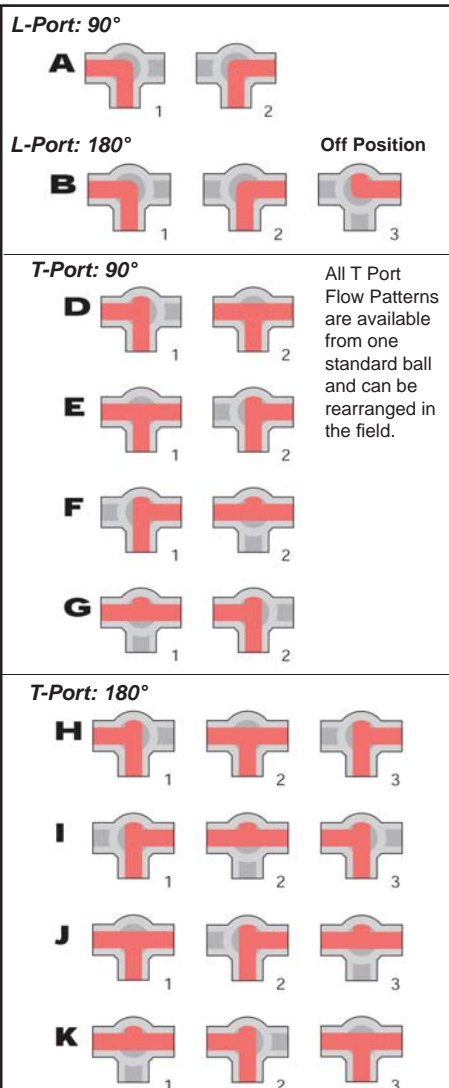


New 3-Way Multi Port Series

STANDARD PRODUCT NUMBER

DM-MPT100-S4-L-TTT-L (L-Port)

DM-MPT100-S4-T-TTT-L (T-Port)



UNIQUE DESIGN FEATURES:

- Quality Investment Cast Components
- All Stainless Steel Construction
- 1000 WOG Rating
- Threaded Ends
- ISO 5211 Direct Mount Pad - Provides for precise shaft alignment & eliminates the need for brackets and couplings.
- Locking Handle standard on all valves.
- All valves have four seats which allows operation in the off position
- Locking Handle, Locks At 90° Intervals, Full 360°

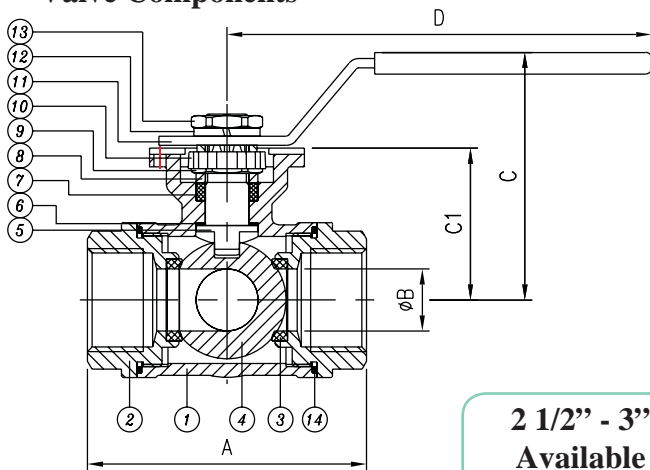
3 WAY VALVES

REDUCE THE NUMBER OF VALVES IN PIPING SYSTEMS AND INCREASE EFFICIENCY.

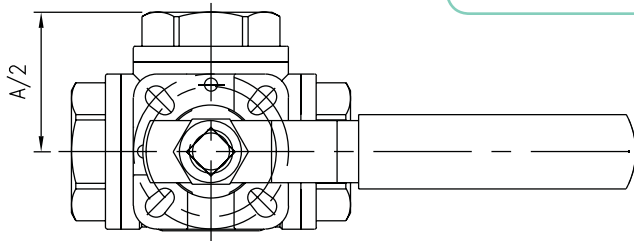
3 WAY STANDARD PORT BALL VALVE 1000 WOG

MODEL DM-MPT 100

Valve Components



2 1/2" - 3"
Available
in 316SS Only



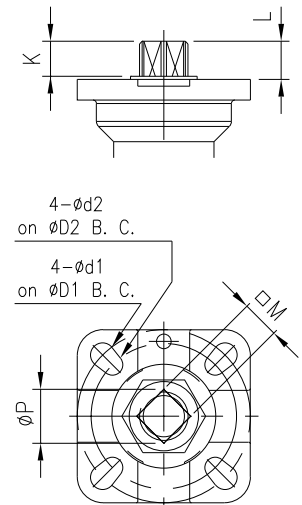
BILL OF MATERIALS:

Item	Part Name	Qty	Material	
			1/2" - 2"	2 1/2" - 3"
1	Body	1	A351 CF8 / SS304	A351 CF8M / SS316
2	End Cap	3	A351 CF8 / SS304	A351 CF8M / SS316
3	Seats	# 4	PTFE	PTFE
4	Ball	1	Stainless Steel	Stainless Steel
5	Stem	1	Stainless Steel	Stainless Steel
6	Thrust Bearing	# 1	PTFE	PTFE
7	Stem Packing	# 1	PTFE	PTFE
8	Packing Follower	1	Stainless Steel	Stainless Steel
9	Stem Nut	1	Stainless Steel	Stainless Steel
10	Lock Washer	1	Stainless Steel	Stainless Steel
11	Handle	1	Stainless Steel	Stainless Steel
12	Spring Washer	1	Stainless Steel	Stainless Steel
13	Handle Nut	1	Stainless Steel	Stainless Steel
14	Gaskets	# 3	PTFE	PTFE

Parts included in repair kits

ATTENTION
MAWP/WOG is a do not exceed pressure at normal ambient NPT & Weld End Models

Mounting Dimensions



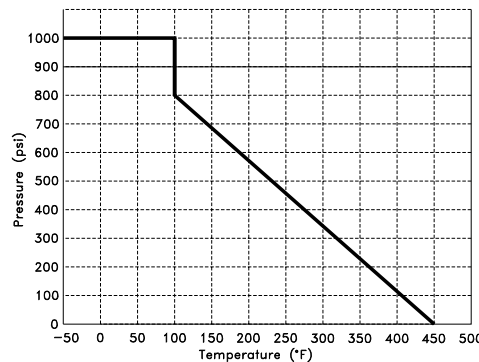
SPECIFICATIONS:

Pressure Rating: 1000 MAWP/WOG

Valve Stem Seals and Seats are 100% tested by 100 psig air under water for bubble tight integrity.

Threaded End Connections Meet ANSI B1.20.1

Pressure Temperature Rating



DIMENSIONS AND WEIGHTS:

Size	A	B	C	C1	d1	d2	D	D1	D2	K	L	M	P	ISO	Torque in-lb	Weight Lbs	Cv 90°	Cv 180°
1/2"	2.80	0.47	2.80	1.46	0.24	0.24	5.71	1.65	1.42	0.30	0.33	0.35	0.47	F03/F04	62	1.4	4.5	7.0
3/4"	3.19	0.59	2.91	1.57	0.24	0.24	5.71	1.65	1.42	0.51	0.55	0.35	0.47	F03/F04	89	1.7	10	14
1"	3.54	0.67	3.27	1.81	0.28	0.24	6.10	1.97	1.65	0.47	0.51	0.43	0.55	F04/F05	212	2.5	16	27
1 1/4"	4.92	0.98	3.70	2.24	0.28	0.24	6.10	1.97	1.65	0.39	0.43	0.43	0.55	F04/F05	266	5.2	31	43
1 1/2"	5.43	1.26	4.45	2.76	0.35	0.28	7.72	2.76	1.97	0.69	0.73	0.55	0.71	F05/F07	310	8.2	49	72
2"	5.98	1.50	4.72	3.03	0.35	0.28	7.72	2.76	1.97	0.69	0.73	0.55	0.71	F05/F07	443	10.6	82	113
2 1/2"	7.87	1.97	C/F	3.74	0.43	0.35	9.06	4.02	2.76	C/F	C/F	0.67	0.87	F07/F10	885	23.1	130	180
3"	9.45	2.56	C/F	4.25	0.43	0.35	10.24	4.02	2.76	C/F	C/F	0.75	??	F07/F10	1328	38.4	190	270



Flo-Tite, Inc.
4815 West 5th St.
Lumberton, NC 28358

P. O. Box 1293
Lumberton, NC 28359
Website: www.flotite.com

Tel: (910) 738-8904
Fax: (910) 738-9112
E-mail: flotite@flotite.com

Due to continuous development & improvement of our product range, we reserve the right to alter the dimensions and technical data included in this brochure.

Printing Date 2017/08