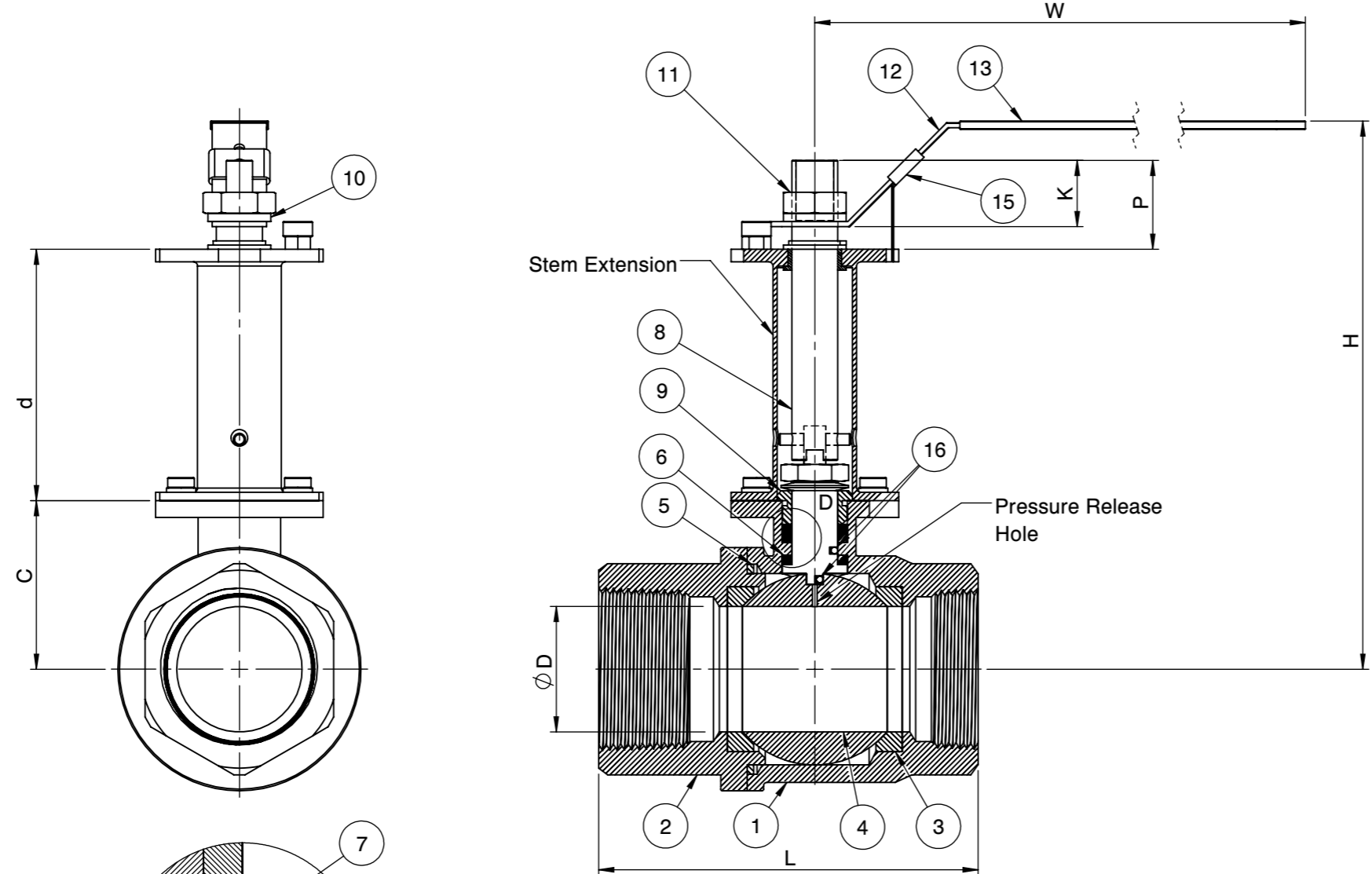
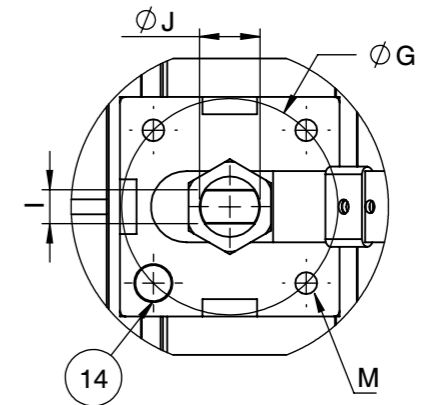


Super-Tek Seat
CS
2000 WOG
Fusion Series
T23-CS-F-F-G-L-??-XS?
NON FIRESAFE PER API 607-5

SIZE		Ø D		W		d		Ø G		H		C		I		Ø J		K		A		M	P		FO
inch	mm	inch	mm	inch	mm	inch	mm	inch	mm	inch	mm	inch	mm	inch	mm	inch	mm	inch	mm	inch	mm		inch	mm	
1/4"	8	0.43	11	5.31	135	3.00	76.20	1.42	36	5.16	131.06	0.94	24	0.20	5	0.31	8	0.35	9	2.32	59	M5	0.57	14.50	F04
3/8"	10	0.49	12.50	5.31	135	3.00	76.20	1.42	36	5.16	131.06	0.94	24	0.20	5	0.31	8	0.35	9	2.32	59	M5	0.57	14.50	F04
1/2"	15	0.59	15	5.31	135	3.00	76.20	1.42	36	5.28	134.11	1.06	26	0.20	5	0.31	8	0.45	11.50	2.52	64	M5	0.69	17.50	F04
3/4"	20	0.79	20	5.31	135	3.00	76.20	1.42	36	5.49	139.45	1.28	32.50	0.24	6	0.39	10	0.55	14	2.87	73	M5	0.79	20	F04
1"	25	0.98	25	6.50	165	3.00	76.20	1.65	42	5.79	147.06	1.52	38.60	0.31	8	0.47	12	0.65	16.50	3.35	85	M5	0.91	23	F05
1 1/4"	32	1.26	32	6.50	165	3.00	76.20	1.65	42	5.91	150.11	1.63	41.50	0.31	8	0.47	12	0.65	16.50	3.94	100	M5	0.91	23	F05
1 1/2"	40	1.50	38	9.65	245	3.00	76.20	1.97	50	6.54	166.11	2.01	51.15	0.31	8	0.55	14	0.79	20	4.53	115	M6	1.06	27	F07
2"	50	1.97	50	9.65	245	3.00	76.20	1.97	50	7.09	180.08	2.56	65	0.39	10	0.55	14	0.79	20	5.28	134	M6	1.06	27	F07



Actuator ISO Mounting Flange 5211



QR CODE

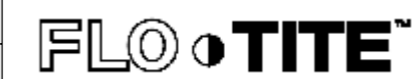
No.	Parts	Material
1	Body	ASTM A216 WCB
2	End Cap	ASTM A216 WCB
3	Seat	Super-Tek
4	Ball	ASTM A351 CF8
5	Gasket	Graphite
6	Thrust Washer	TFM
7	Stem Packing	TFM
8	Stem	A276-304 / 17-4PH
9	Gland	SS304
10	Handle Washer	SS304
11	Handle Nut	SS304
12	Handle	Zinc Plated Steel
13	Handle Cover	PVC
14	Stop Screw	Steel
15	Locking Device	Zinc Plated CS
16	Anti-Static Device	SS304

SEAT TEST @ 80~100 PSI	ASME B16.34
SHELL TEST @ 2175 PSI	ASME B16.34
PRESSURE TEMPERATURE RATING	ASME B16.34
END CONNECTION	ASME B16.11
JOINT STRENGTH	ASME B16.34
WALL THICKNESS	ASME B16.34
BASIC DESIGN	ASME B16.34

FOR CERTIFIED DRAWING CONSULT FACTORY

Drawn by :	M	Date :	June 21, 2019	Scale :	Not To Scale	Rev :	0
Checked by :	M	Date :	June 21, 2019	Unit :	Inch	Sheet :	xxx
Approved by :	M	Date :	June 21, 2019	Material :	See Notes		

Drawing Title:	NPT - FULL BORE BALL VALVE
Drawing No.:	DS-T23CSFFGL??XS?



4815 W. 5th Street
 Lumberton, NC 28358
 Website: www.flotite.com
 Tel : 910-738-8904
 Fax : 910-738-9112
 E-mail : flotite@flotite.com

REVIEW ALL STANDARD SOFT PARTS FOR APPLICATION COMPATIBILITY