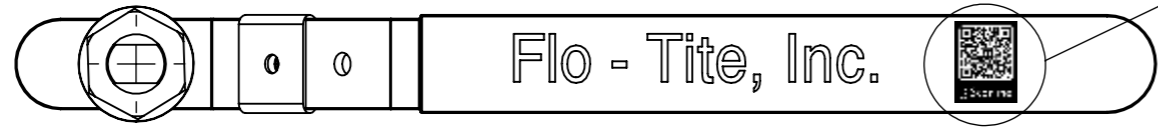


**Fusion Series**   **2000 WOG**   **CS**   **Super-Tek III Seat**

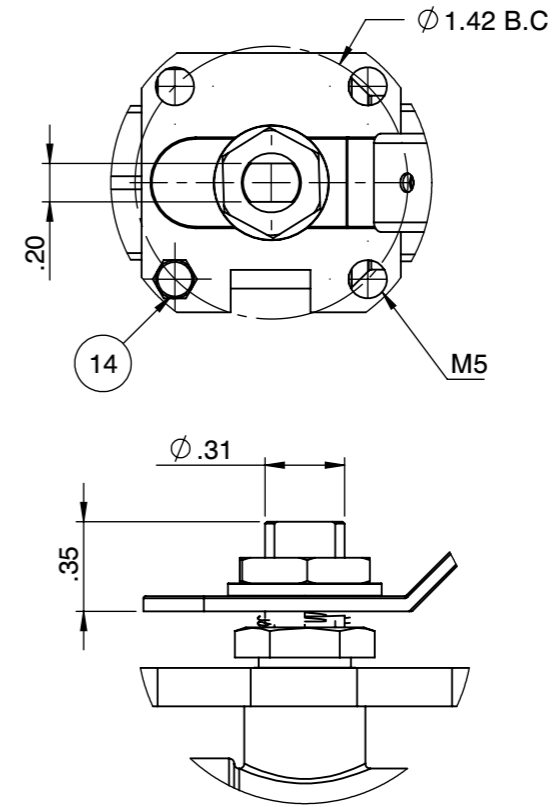
**FIRESAFE PER API 607-5**   **SIZE 3/8"**

**S23-CS-F-G-G-L-010**



QR CODE

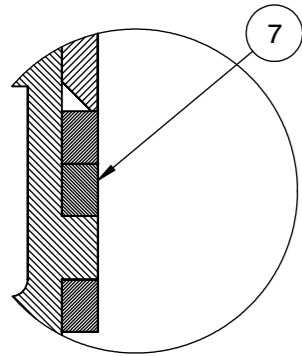
**Actuator ISO Mounting Flange (F04)**



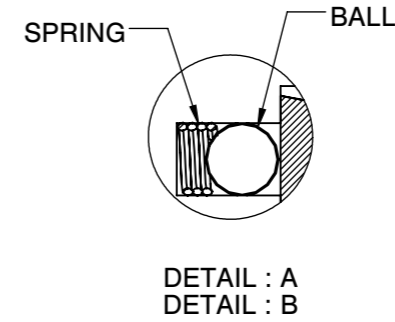
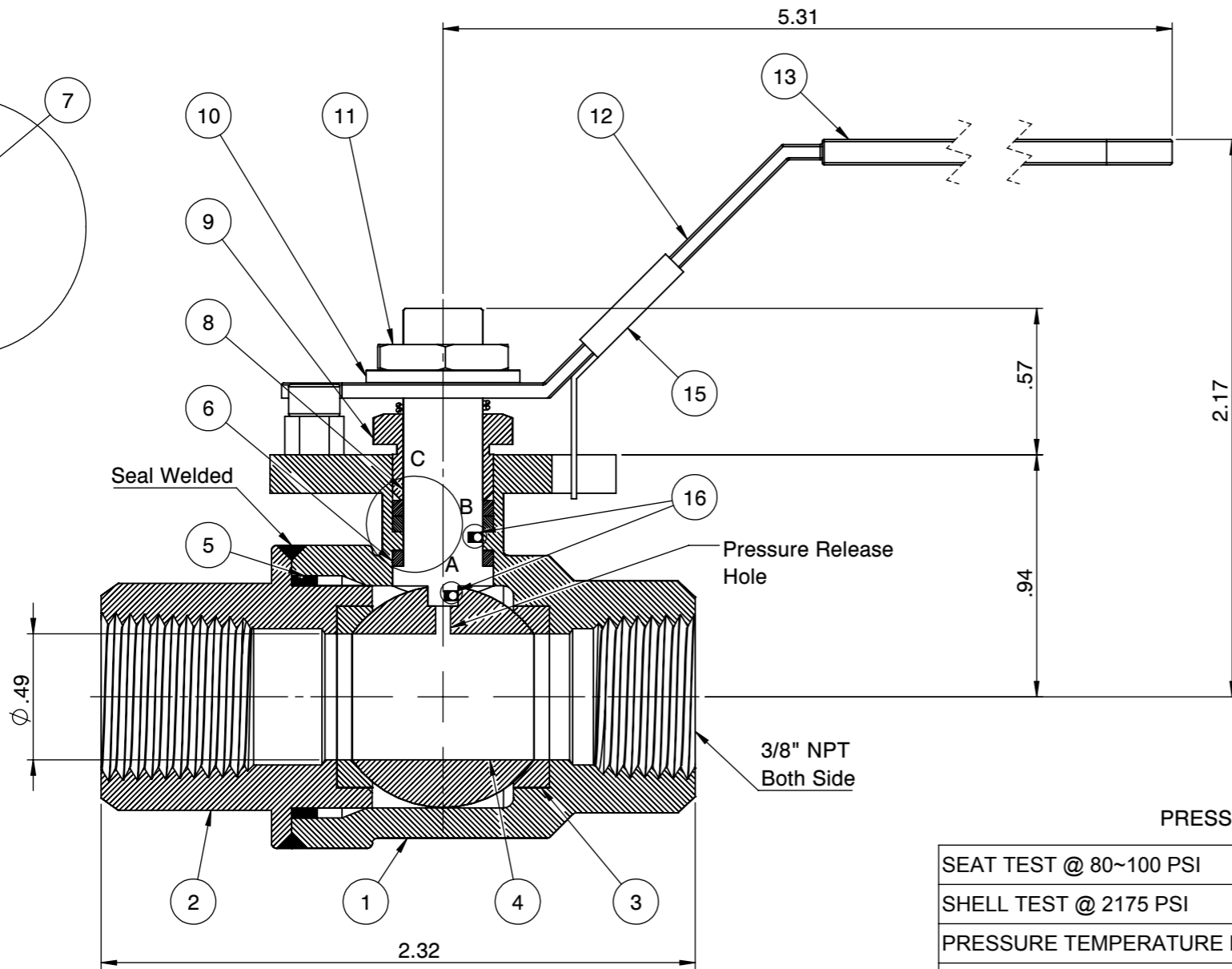
CS: Flo-Tite  
S23CS  
WCB

3/8"  
2000  
WOG

1/4" - 1" Body marking



DETAIL C



DETAIL : A  
DETAIL : B

No.	Parts	Material
1	Body	ASTM A216 WCB
2	End Cap	ASTM A216 WCB
3	Seat	Super-Tek III
4	Ball	ASTM A351 CF8
5	Gasket	Graphite
6	Thrust Washer	25% Carbon PTFE
7	Stem Packing	Graphite
8	Stem	A276-304 / 17-4PH
9	Gland	SS304
10	Handle Washer	SS304
11	Handle Nut	SS304
12	Handle	Zinc Plated Steel
13	Handle Cover	PVC
14	Stop Screw	Steel
15	Locking Device	Zinc Plated CS
16	Anti-Static Device	SS304

**PRESSURE RATING 2000 WOG**

SEAT TEST @ 80~100 PSI	ASME B16.34
SHELL TEST @ 2175 PSI	ASME B16.34
PRESSURE TEMPERATURE RATING	ASME B16.34
END CONNECTION	ASME B16.11
JOINT STRENGTH	ASME B16.34
WALL THICKNESS	ASME B16.34
BASIC DESIGN	ASME B16.34

FOR CERTIFIED  
DRAWING CONSULT  
FACTORY

Drawn by : M   Date : June 21, 2019   Scale : Not To Scale   Rev : 0  
 Checked by : M   Date : June 21, 2019   Unit : Inch   Sheet : xxx  
 Approved by : M   Date : June 21, 2019   Material : See Notes

Drawing Title: NPT 3/8" FULL PORT BALL VALVE  
 Drawing No.: DT-S23CSFGGL010



4815 W. 5th Street   Tel : 910-738-8904  
 Lumberton, NC 28358   Fax : 910-738-9112  
 Website: www.flotite.com   E-mail : flotite@flotite.com

**REVIEW ALL STANDARD SOFT PARTS FOR APPLICATION COMPATIBILITY**