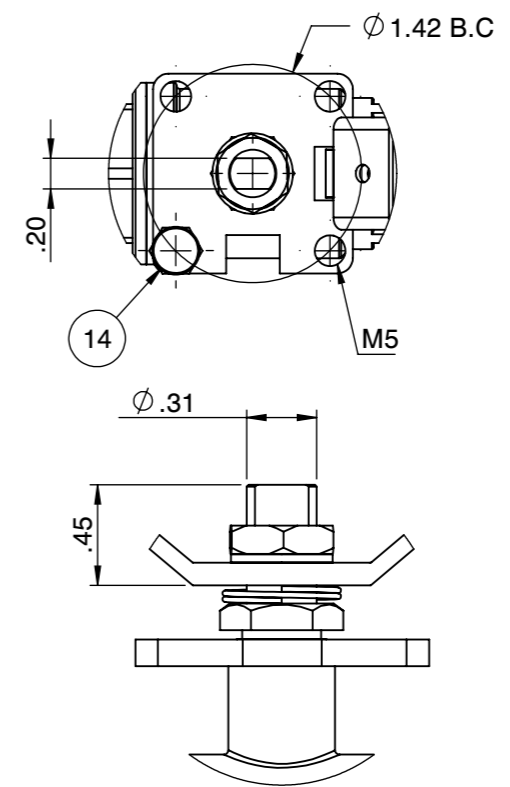




QR CODE

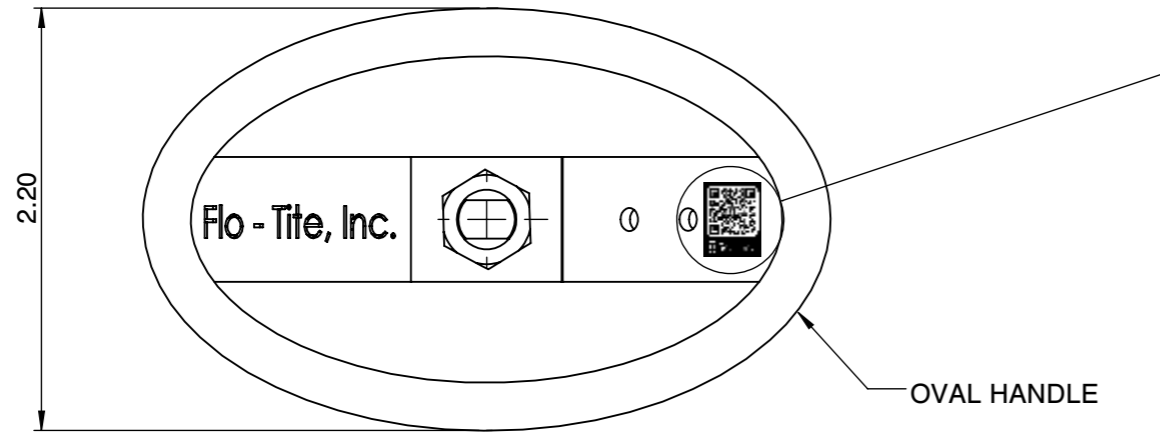
Actuator ISO Mounting Flange (F04)



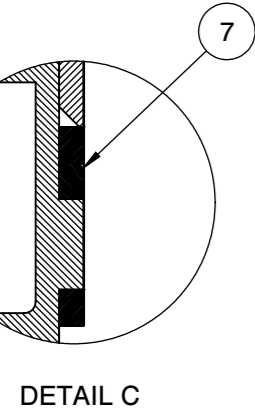
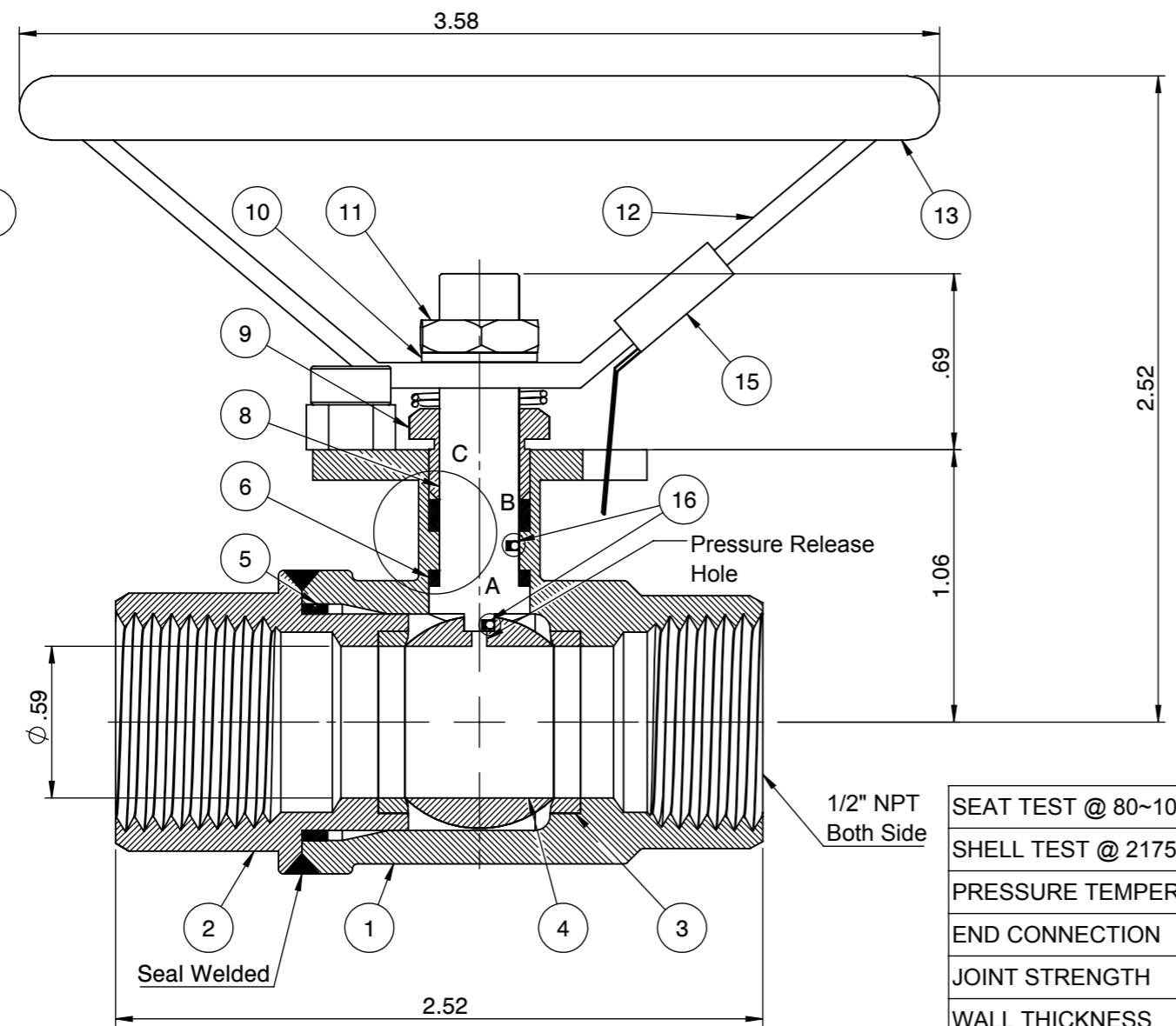
CS: Flo-Tite
S23CS
WCB

1/2"
2000
WOG

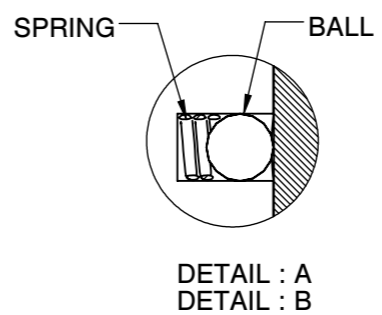
1/4" - 1" Body marking



OVAL HANDLE



DETAIL C



DETAIL : A
DETAIL : B

PRESSURE RATING 2000 WOG

SEAT TEST @ 80~100 PSI	ASME B16.34
SHELL TEST @ 2175 PSI	ASME B16.34
PRESSURE TEMPERATURE RATING	ASME B16.34
END CONNECTION	ASME B16.11
JOINT STRENGTH	ASME B16.34
WALL THICKNESS	ASME B16.34
BASIC DESIGN	ASME B16.34

No.	Parts	Material
1	Body	ASTM A216 WCB
2	End Cap	ASTM A216 WCB
3	Seat	Super-Tek III
4	Ball	ASTM A351 CF8
5	Gasket	Graphite
6	Thrust Washer	25% Carbon PTFE
7	Stem Packing	Graphite
8	Stem	A276-304 / 17-4PH
9	Gland	SS304
10	Handle Washer	SS304
11	Handle Nut	SS304
12	Handle	Zinc Plated Steel
13	Handle Cover	PVC
14	Stop Screw	Steel
15	Locking Device	Zinc Plated CS
16	Anti-Static Device	SS304

FOR CERTIFIED
DRAWING CONSULT
FACTORY

Drawn by : M
Checked by : M
Approved by : M

Date : June 21, 2019
Date : June 21, 2019
Date : June 21, 2019

Scale : Not To Scale
Unit : Inch
Material : See Notes

Rev : 0
Sheet : xxx

Drawing Title: NPT 1/2 " FULL PORT BALL VALVE

Drawing No.: DT-S23CSFGGO015



4815 W. 5th Street
Lumberton, NC 28358
Website: www.flotite.com

Tel : 910-738-8904
Fax : 910-738-9112
E-mail : flotite@flotite.com