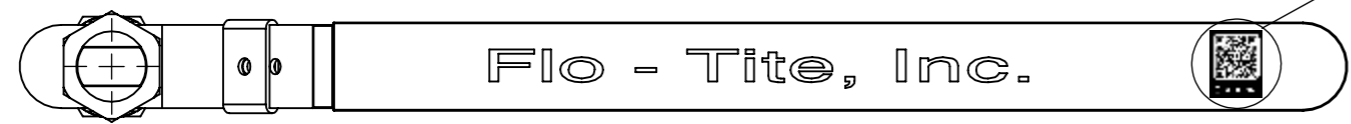
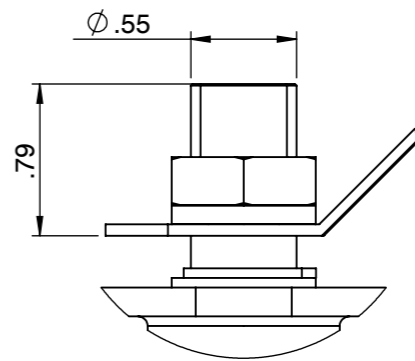
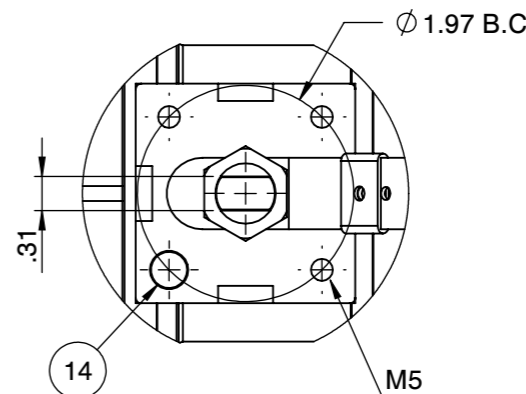


Fusion Series	2000 WOG	SS	Super-Tek III Seat	S23-SS-F-G-G-L-040-XS4
FIRESAFE PER API 607-5			SIZE 1-1/2"	

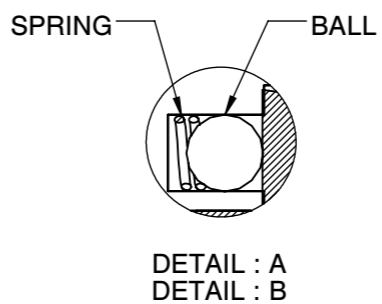
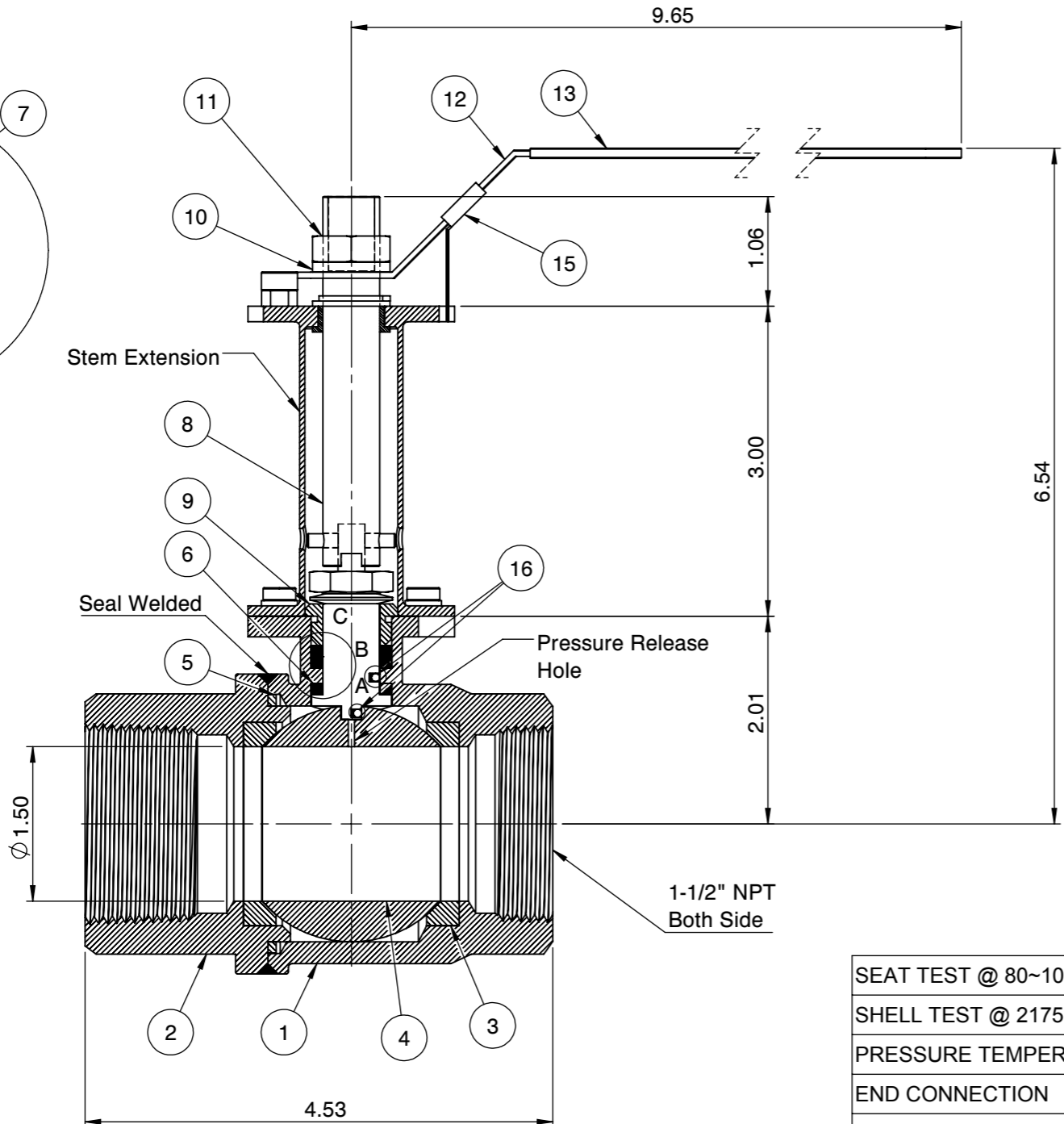
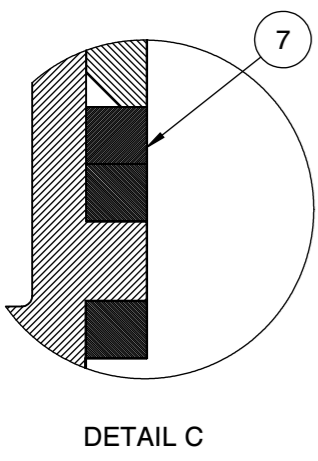


QR CODE

Actuator ISO Mounting Flange (F07)



1-1/2"
 SS: Flo-Tite S23SS CF8M 2000 WOG
 1-1/4" - 2" Body marking



No.	Parts	Material
1	Body	ASTM A351 CF8M
2	End Cap	ASTM A351 CF8M
3	Seat	Super-Tek III
4	Ball	ASTM A351 CF8M
5	Gasket	Graphite
6	Thrust Washer	25% Carbon PTFE
7	Stem Packing	Graphite
8	Stem	A276-316 / 17-4PH
9	Gland	SS304
10	Handle Washer	SS304
11	Handle Nut	SS304
12	Handle	SS304
13	Handle Cover	PVC
14	Stop Screw	SS304
15	Locking Device	SS304
16	Anti-Static Device	SS316

PRESSURE RATING 2000 WOG

SEAT TEST @ 80~100 PSI	ASME B16.34
SHELL TEST @ 2175 PSI	ASME B16.34
PRESSURE TEMPERATURE RATING	ASME B16.34
END CONNECTION	ASME B16.11
JOINT STRENGTH	ASME B16.34
WALL THICKNESS	ASME B16.34
BASIC DESIGN	ASME B16.34

FOR CERTIFIED DRAWING CONSULT FACTORY	Drawn by : M	Date : June 21, 2019	Scale : Not To Scale	Rev : 0	Drawing Title: NPT 1-1/2" FULL BORE BALL VALVE Drawing No.: DT-S23SSFGGL040XS4	FLO-TITE™	4815 W. 5th Street Tel : 910-738-8904 Lumberton, NC 28358 Fax : 910-738-9112 Website: www.flotite.com E-mail : flotite@flotite.com
	Checked by : M	Date : June 21, 2019	Unit : Inch	Sheet : xxx			
	Approved by : M	Date : June 21, 2019	Material : See Notes				

REVIEW ALL STANDARD SOFT PARTS FOR APPLICATION COMPATIBILITY