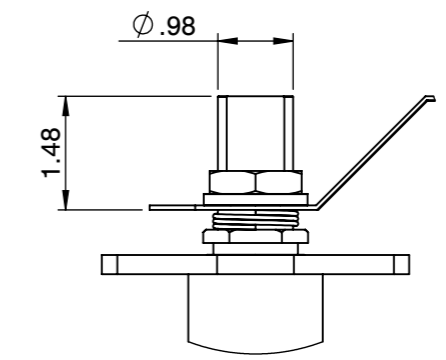
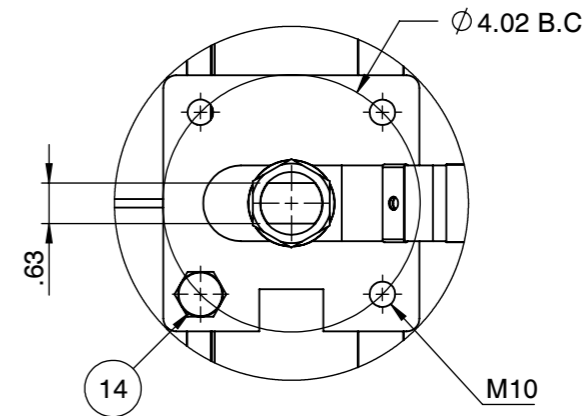
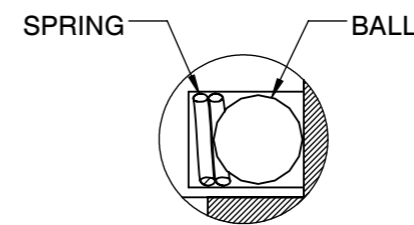
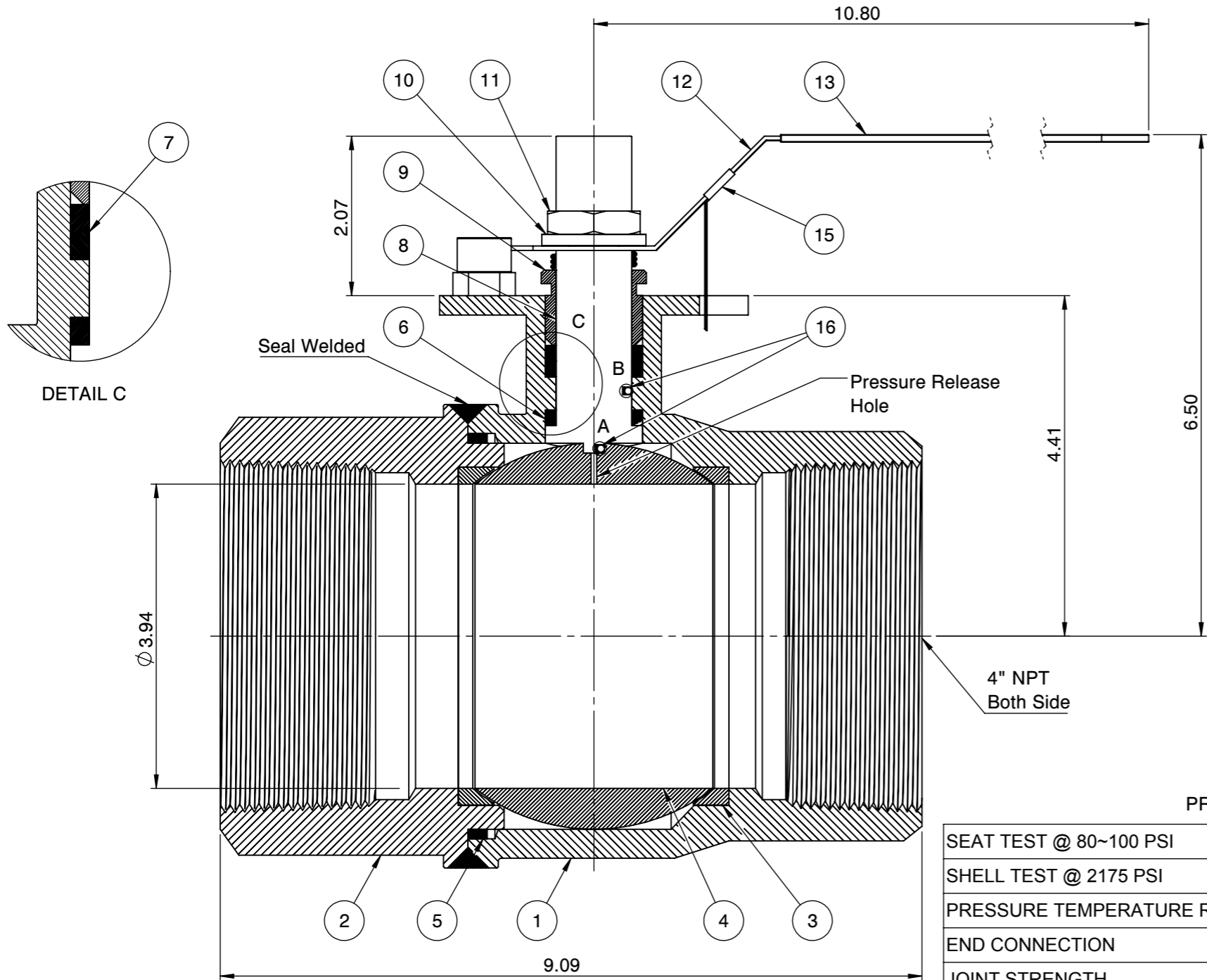




Actuator ISO Mounting Flange (F12)



4"
 SS: Flo-Tite S23SS CF8M 1500 WOG
 2-1/2" - 4" Body marking



DETAIL : A
 DETAIL : B

| No. | Parts | Material |
|-----|--------------------|-------------------|
| 1 | Body | ASTM A351 CF8M |
| 2 | End Cap | ASTM A351 CF8M |
| 3 | Seat | Super-Tek III |
| 4 | Ball | ASTM A351 CF8M |
| 5 | Gasket | Graphite |
| 6 | Thrust Washer | 25% Carbon PTFE |
| 7 | Stem Packing | Graphite |
| 8 | Stem | A276-316 / 17-4PH |
| 9 | Gland | SS304 |
| 10 | Handle Washer | SS304 |
| 11 | Handle Nut | SS304 |
| 12 | Handle | SS304 |
| 13 | Handle Cover | PVC |
| 14 | Stop Screw | SS304 |
| 15 | Locking Device | SS304 |
| 16 | Anti-Static Device | SS316 |

PRESSURE RATING 1500 WOG

| | |
|-----------------------------|-------------|
| SEAT TEST @ 80~100 PSI | ASME B16.34 |
| SHELL TEST @ 2175 PSI | ASME B16.34 |
| PRESSURE TEMPERATURE RATING | ASME B16.34 |
| END CONNECTION | ASME B16.11 |
| JOINT STRENGTH | ASME B16.34 |
| WALL THICKNESS | ASME B16.34 |
| BASIC DESIGN | ASME B16.34 |

REVIEW ALL STANDARD SOFT PARTS FOR APPLICATION COMPATIBILITY