

Fusion Series 2000 WOG SS Super-Tek III Seat

S23-SS-F-G-G-O-025

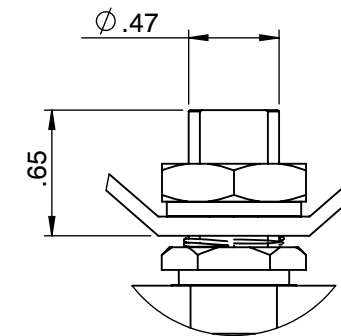
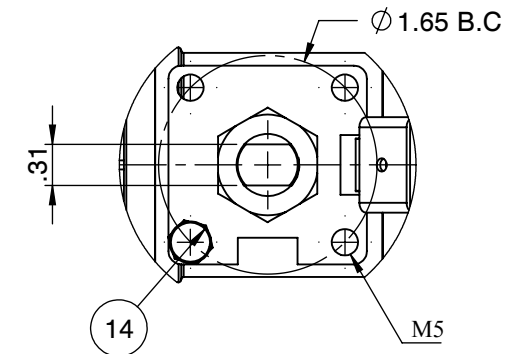
FIRESAFE PER API 607-5

SIZE 1"



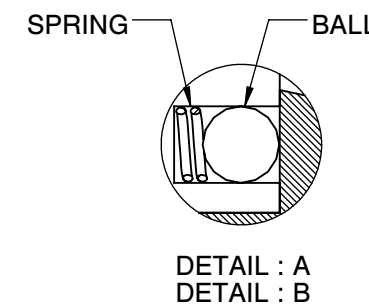
QR CODE

Actuator ISO Mounting Flange (F05)



SS: Flo-Tite S23SS CF8M 1" 2000 WOG

1/4" - 1" Body marking

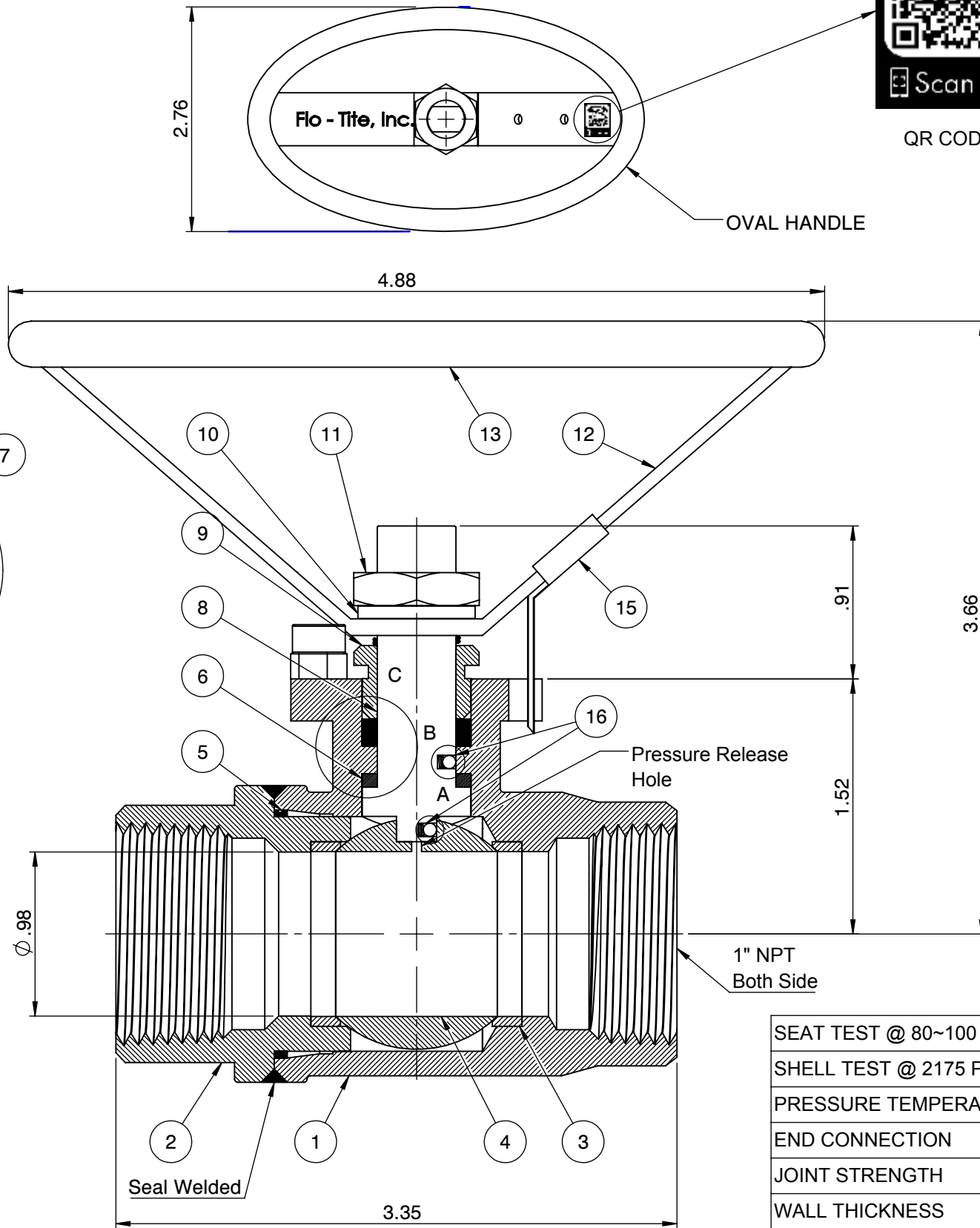


DETAIL : A
DETAIL : B

PRESSURE RATING 2000 WOG

SEAT TEST @ 80~100 PSI	ASME B16.34
SHELL TEST @ 2175 PSI	ASME B16.34
PRESSURE TEMPERATURE RATING	ASME B16.34
END CONNECTION	ASME B16.11
JOINT STRENGTH	ASME B16.34
WALL THICKNESS	ASME B16.34
BASIC DESIGN	ASME B16.34

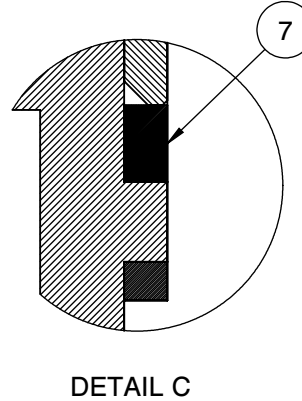
No.	Parts	Material
1	Body	ASTM A351 CF8M
2	End Cap	ASTM A351 CF8M
3	Seat	Super-Tek III
4	Ball	ASTM A351 CF8M
5	Gasket	Graphite
6	Thrust Washer	25% Carbon PTFE
7	Stem Packing	Graphite
8	Stem	A276-316 / 17-4PH
9	Gland	SS304
10	Handle Washer	SS304
11	Handle Nut	SS304
12	Handle	SS304
13	Handle Cover	PVC
14	Stop Screw	SS304
15	Locking Device	SS304
16	Anti-Static Device	SS316



1" NPT
Both Side

Seal Welded

3.35



DETAIL C

FOR CERTIFIED
DRAWING CONSULT
FACTORY

Drawn by : M Date : June 17, 2019 Scale : Not To Scale Rev : 0
Checked by : M Date : June 17, 2019 Unit : Inch Sheet : xxx
Approved by : M Date : June 17, 2019 Material : See Notes

Drawing Title: NPT 1" FULL PORT BALL VALVE
Drawing No.: DT-S23SSFGG0025

FLO-TITE™

4815 W. 5th Street Tel : 910-738-8904
Lumberton, NC 28358 Fax : 910-738-9112
Website: www.flotite.com E-mail : flotite@flotite.com

REVIEW ALL STANDARD SOFT PARTS FOR APPLICATION COMPATIBILITY