

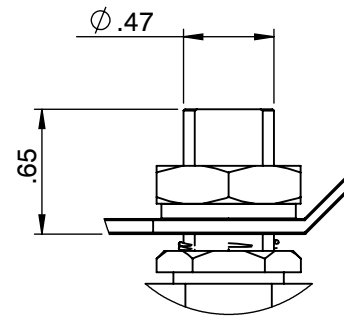
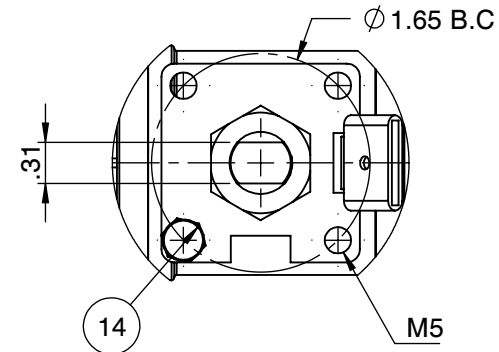
Fusion Series **2000 WOG** **CS** **Super-Tek Seat**
NON FIRESAFE PER API 607-5 **SIZE 1"**

T23-CS-F-F-G-L-025



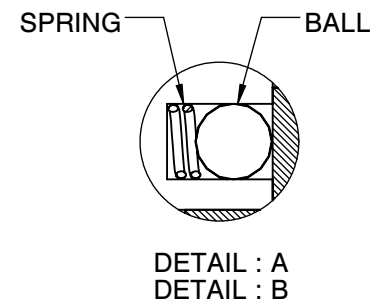
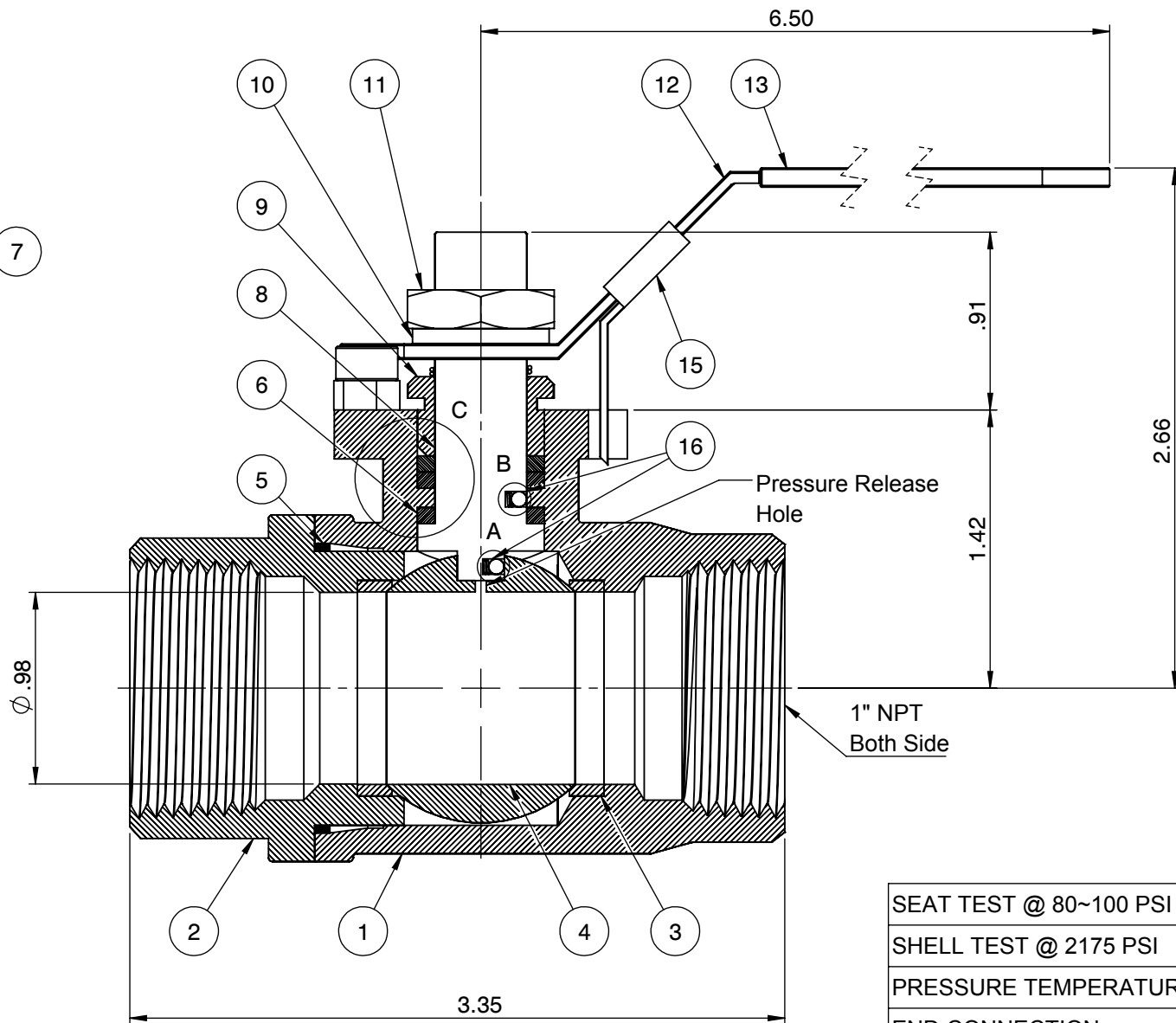
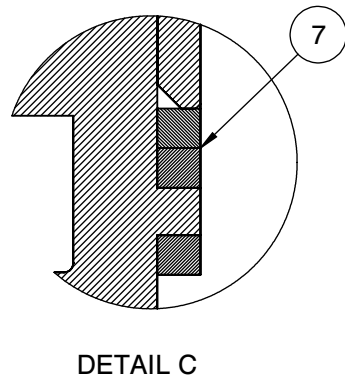
QR CODE

Actuator ISO Mounting Flange (F05)



CS: Flo-Tite T23CS WCB 1" 2000 WOG

1/4" - 1" Body marking



PRESSURE RATING 2000 WOG

SEAT TEST @ 80~100 PSI	ASME B16.34
SHELL TEST @ 2175 PSI	ASME B16.34
PRESSURE TEMPERATURE RATING	ASME B16.34
END CONNECTION	ASME B16.11
JOINT STRENGTH	ASME B16.34
WALL THICKNESS	ASME B16.34
BASIC DESIGN	ASME B16.34

No.	Parts	Material
1	Body	ASTM A216 WCB
2	End Cap	ASTM A216 WCB
3	Seat	Super-Tek
4	Ball	ASTM A351 CF8
5	Gasket	Graphite
6	Thrust Washer	TFM
7	Stem Packing	TFM
8	Stem	A276-304 / 17-4PH
9	Gland	SS304
10	Handle Washer	SS304
11	Handle Nut	SS304
12	Handle	Zinc Plated Steel
13	Handle Cover	PVC
14	Stop Screw	Steel
15	Locking Device	Zinc Plated CS
16	Anti-Static Device	SS304

FOR CERTIFIED DRAWING CONSULT FACTORY	Drawn by : M	Date : June 17, 2019	Scale : Not To Scale	Rev : 0	Drawing Title: NPT 1" FULL PORT BALL VALVE Drawing No.: DT-T23CSFFGL025		4815 W. 5th Street Tel : 910-738-8904 Lumberton, NC 28358 Fax : 910-738-9112 Website: www.flotite.com E-mail : flotite@flotite.com
	Checked by : M	Date : June 17, 2019	Unit : Inch	Sheet : xxx			
	Approved by : M	Date : June 17, 2019	Material : See Notes				

REVIEW ALL STANDARD SOFT PARTS FOR APPLICATION COMPATIBILITY