

Fusion Series 2000 WOG CS Super-Tek Seat

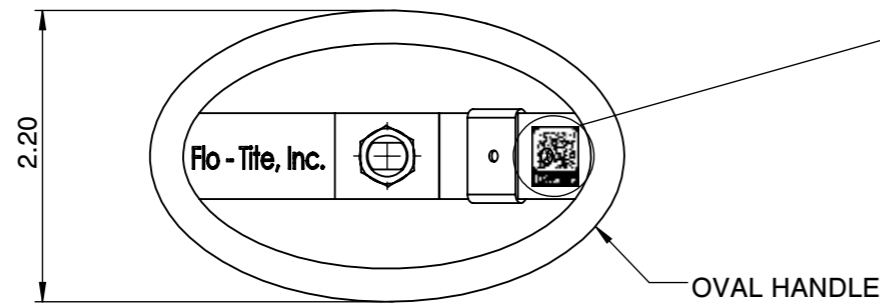
T23-CS-F-F-G-O-008

NON FIRESAFE PER API 607-5

SIZE 1/4"

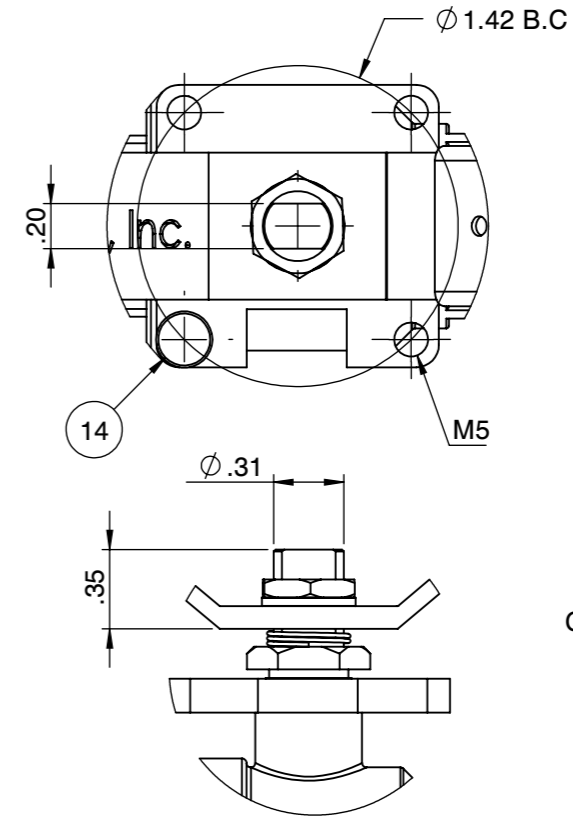


QR CODE



OVAL HANDLE

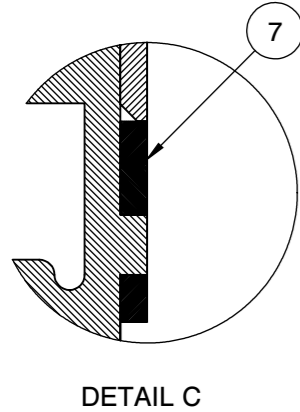
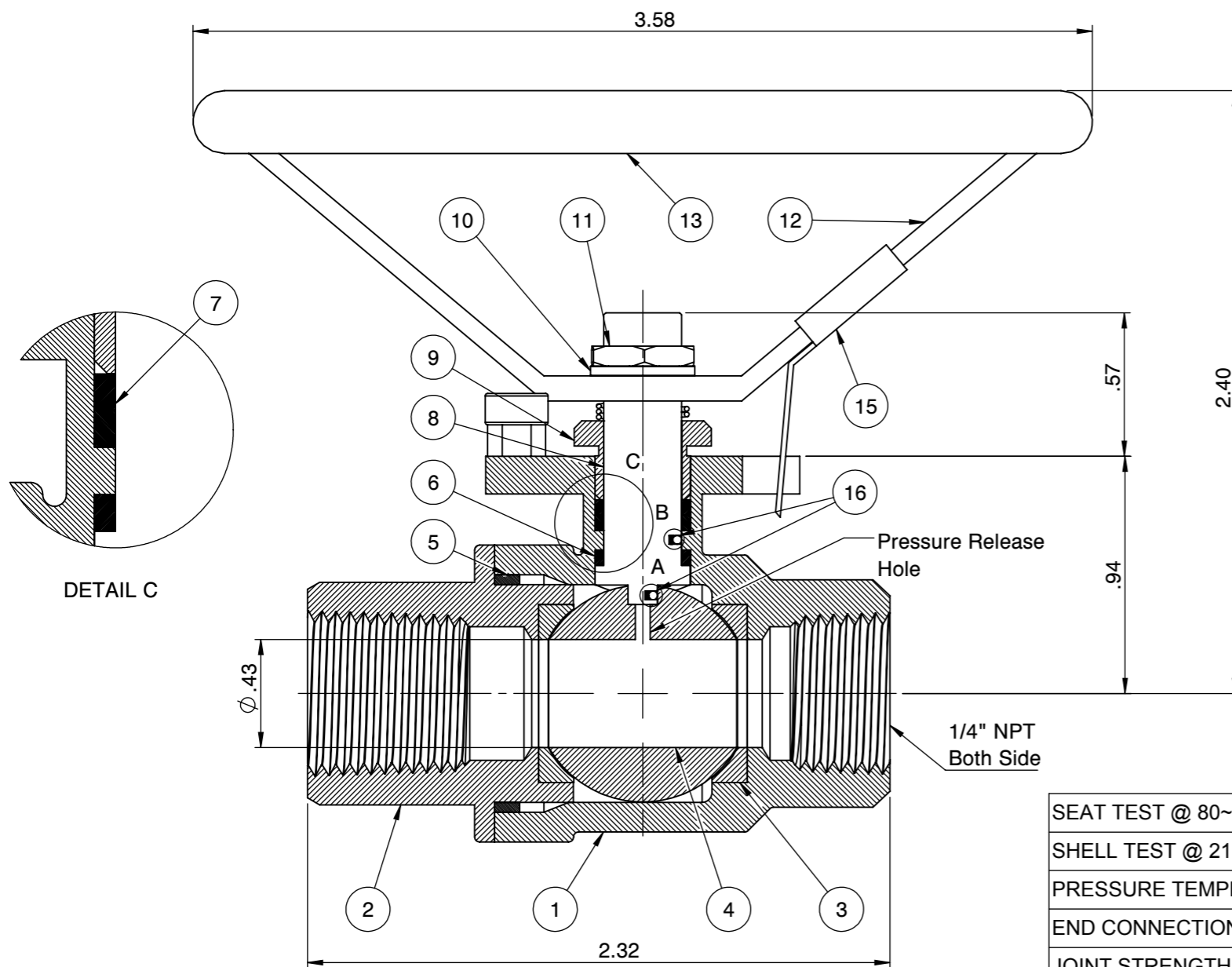
Actuator ISO Mounting Flange (F04)



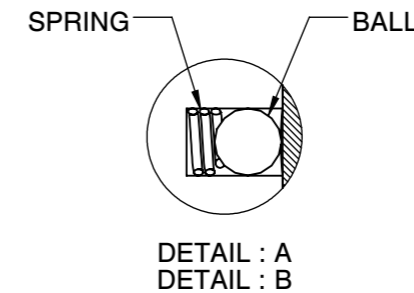
CS: Flo-Tite
T23CS
WCB

1/4"
2000
WOG

1/4" - 1" Body marking



DETAIL C



DETAIL : A
DETAIL : B

PRESSURE RATING 2000 WOG

SEAT TEST @ 80~100 PSI	ASME B16.34
SHELL TEST @ 2175 PSI	ASME B16.34
PRESSURE TEMPERATURE RATING	ASME B16.34
END CONNECTION	ASME B16.11
JOINT STRENGTH	ASME B16.34
WALL THICKNESS	ASME B16.34
BASIC DESIGN	ASME B16.34

No.	Parts	Material
1	Body	ASTM A216 WCB
2	End Cap	ASTM A216 WCB
3	Seat	Super-Tek
4	Ball	ASTM A351 CF8
5	Gasket	Graphite
6	Thrust Washer	TFM
7	Stem Packing	TFM
8	Stem	A276-304 / 17-4PH
9	Gland	SS304
10	Handle Washer	SS304
11	Handle Nut	SS304
12	Handle	Zinc Plated Steel
13	Handle Cover	PVC
14	Stop Screw	Steel
15	Locking Device	Zinc Plated CS
16	Anti-Static Device	SS304

FOR CERTIFIED
DRAWING CONSULT
FACTORY

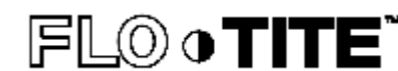
Drawn by : M
Checked by : M
Approved by : M

Date : June 24, 2019
Date : June 24, 2019
Date : June 24, 2019

Scale : Not To Scale
Unit : Inch
Material : See Notes

Rev : 0
Sheet : xxx

Drawing Title: NPT 1/4" FULL PORT BALL VALVE
Drawing No.: DT-T23CSFFGO008



4815 W. 5th Street
Lumberton, NC 28358
Website: www.flotite.com

Tel : 910-738-8904
Fax : 910-738-9112
E-mail : flotite@flotite.com

REVIEW ALL STANDARD SOFT PARTS FOR APPLICATION COMPATIBILITY