

**Fusion Series 2000 WOG CS Super-Tek Seat**

**T23-CS-F-F-G-O-010**

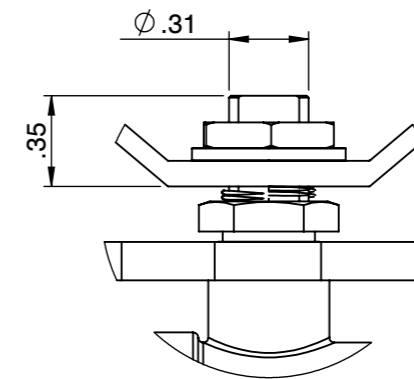
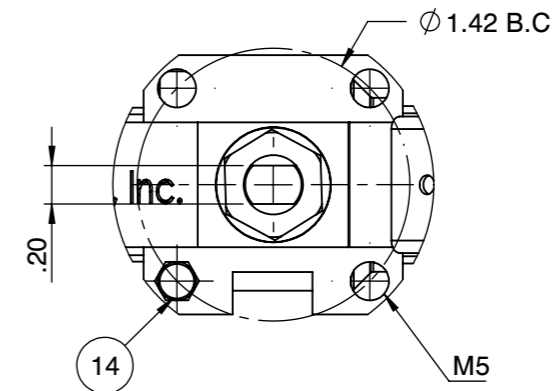
**NON FIRESAFE PER API 607-5**

**SIZE 3/8"**



QR CODE

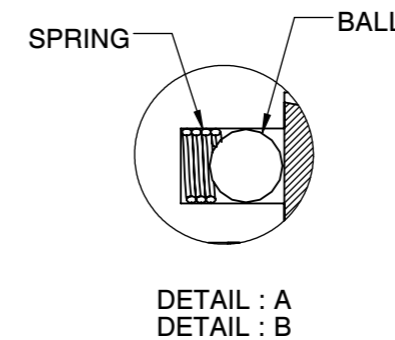
**Actuator ISO Mounting Flange (F04)**



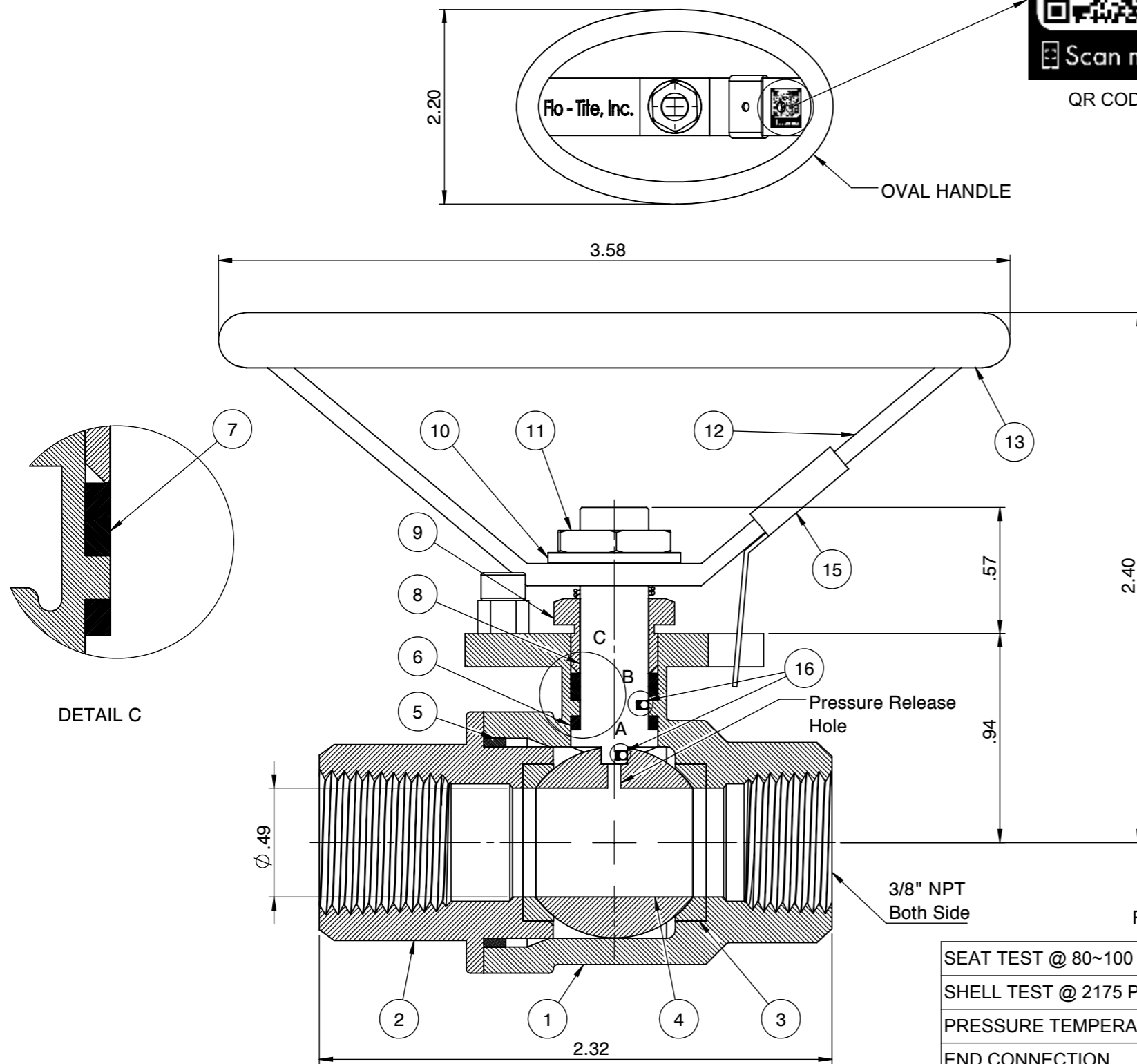
CS: Flo-Tite  
T23CS  
WCB

3/8"  
2000  
WOG

1/4" - 1" Body marking



No.	Parts	Material
1	Body	ASTM A216 WCB
2	End Cap	ASTM A216 WCB
3	Seat	Super-Tek
4	Ball	ASTM A351 CF8
5	Gasket	Graphite
6	Thrust Washer	TFM
7	Stem Packing	TFM
8	Stem	A276-304 / 17-4PH
9	Gland	SS304
10	Handle Washer	SS304
11	Handle Nut	SS304
12	Handle	Zinc Plated Steel
13	Handle Cover	PVC
14	Stop Screw	Steel
15	Locking Device	Zinc Plated CS
16	Anti-Static Device	SS304



SEAT TEST @ 80~100 PSI	ASME B16.34
SHELL TEST @ 2175 PSI	ASME B16.34
PRESSURE TEMPERATURE RATING	ASME B16.34
END CONNECTION	ASME B16.11
JOINT STRENGTH	ASME B16.34
WALL THICKNESS	ASME B16.34
BASIC DESIGN	ASME B16.34

PRESSURE RATING 2000 WOG

FOR CERTIFIED  
DRAWING CONSULT  
FACTORY

Drawn by : M  
Checked by : M  
Approved by : M

Date : June 21, 2019  
Date : June 21, 2019  
Date : June 21, 2019

Scale : Not To Scale  
Unit : Inch  
Material : See Notes

Rev : 0  
Sheet : xxx

Drawing Title: NPT 3/8" FULL PORT BALL VALVE  
Drawing No.: DT-T23CSFFGO010

**FLO-TITE™**

4815 W. 5th Street  
Lumberton, NC 28358  
Website: www.flotite.com

Tel : 910-738-8904  
Fax : 910-738-9112  
E-mail : flotite@flotite.com

**REVIEW ALL STANDARD SOFT PARTS FOR APPLICATION COMPATIBILITY**