

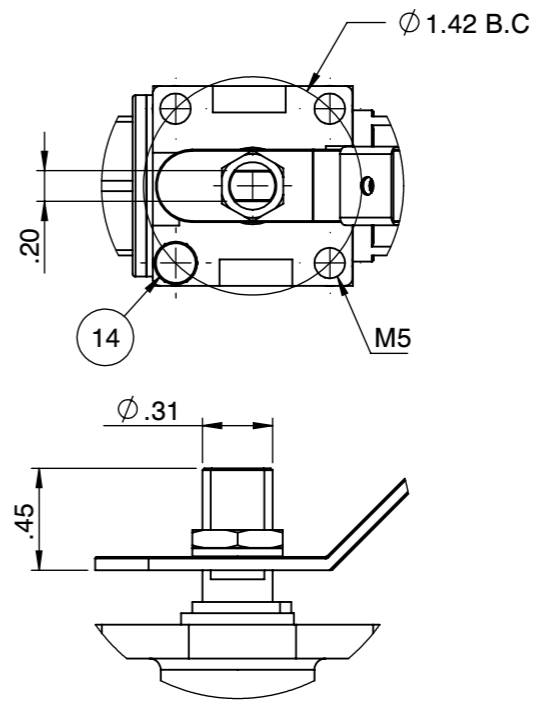
Fusion Series **2000 WOG** **SS** **Super-Tek Seat**
FIRESAFE PER API 607-5 **SIZE 1/2"**

T23-SS-F-G-G-L-015-XS1

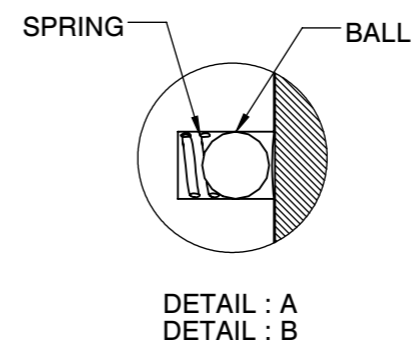
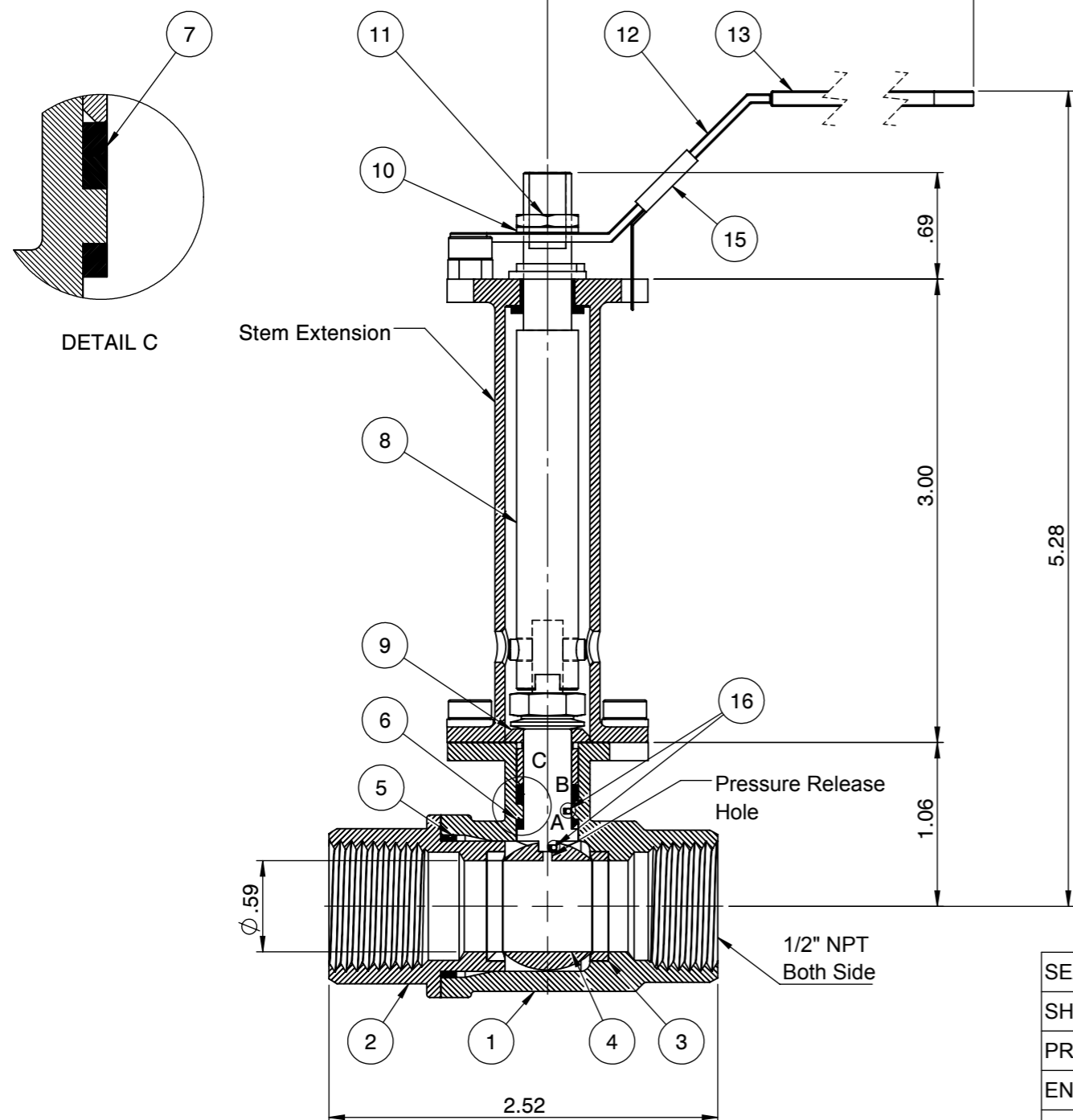


QR CODE

Actuator ISO Mounting Flange (F04)



SS: Flo-Tite T23SS CF8M 1/2" 2000 WOG
 1/4" - 1" Body marking



PRESSURE RATING 2000 WOG

| | |
|-----------------------------|-------------|
| SEAT TEST @ 80~100 PSI | ASME B16.34 |
| SHELL TEST @ 2175 PSI | ASME B16.34 |
| PRESSURE TEMPERATURE RATING | ASME B16.34 |
| END CONNECTION | ASME B16.11 |
| JOINT STRENGTH | ASME B16.34 |
| WALL THICKNESS | ASME B16.34 |
| BASIC DESIGN | ASME B16.34 |

| No. | Parts | Material |
|-----|--------------------|----------------------|
| 1 | Body | ASTM A351 CF8M |
| 2 | End Cap | ASTM A351 CF8M |
| 3 | Seat | Super-Tek (TFM 1600) |
| 4 | Ball | ASTM A351 CF8M |
| 5 | Gasket | Graphite |
| 6 | Thrust Washer | TFM |
| 7 | Stem Packing | GRAPHITE |
| 8 | Stem | A276-316 / 17-4PH |
| 9 | Gland | SS304 |
| 10 | Handle Washer | SS304 |
| 11 | Handle Nut | SS304 |
| 12 | Handle | SS304 |
| 13 | Handle Cover | PVC |
| 14 | Stop Screw | SS304 |
| 15 | Locking Device | SS304 |
| 16 | Anti-Static Device | SS316 |

FOR CERTIFIED DRAWING CONSULT FACTORY

Drawn by : M Date : November 9, 2018 Scale : Not To Scale Rev : 0
 Checked by : M Date : November 9, 2018 Unit : Inch Sheet : xxx
 Approved by : M Date : November 9, 2018 Material : See Notes

Drawing Title: NPT 1/2" FULL BORE BALL VALVE
 Drawing No.: DT-T23SSFGGL015XS1



4815 W. 5th Street Tel : 910-738-8904
 Lumberton, NC 28358 Fax : 910-738-9112
 Website: www.flotite.com E-mail : flotite@flotite.com

REVIEW ALL STANDARD SOFT PARTS FOR APPLICATION COMPATIBILITY