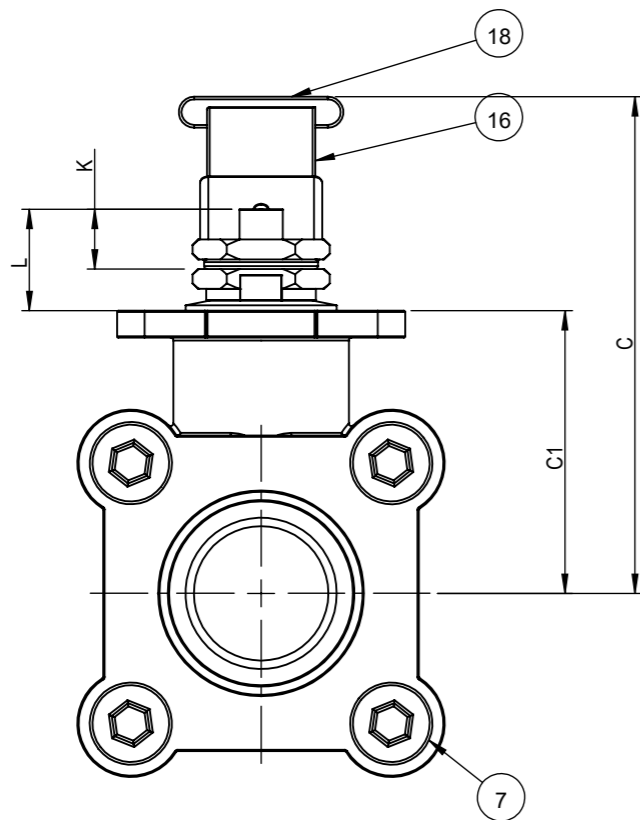
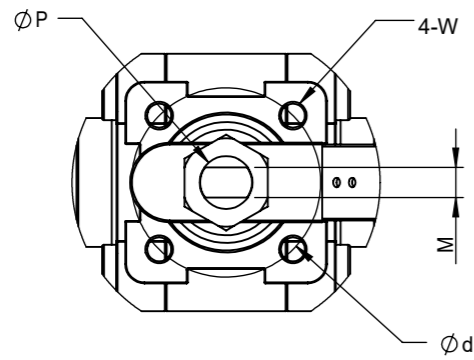
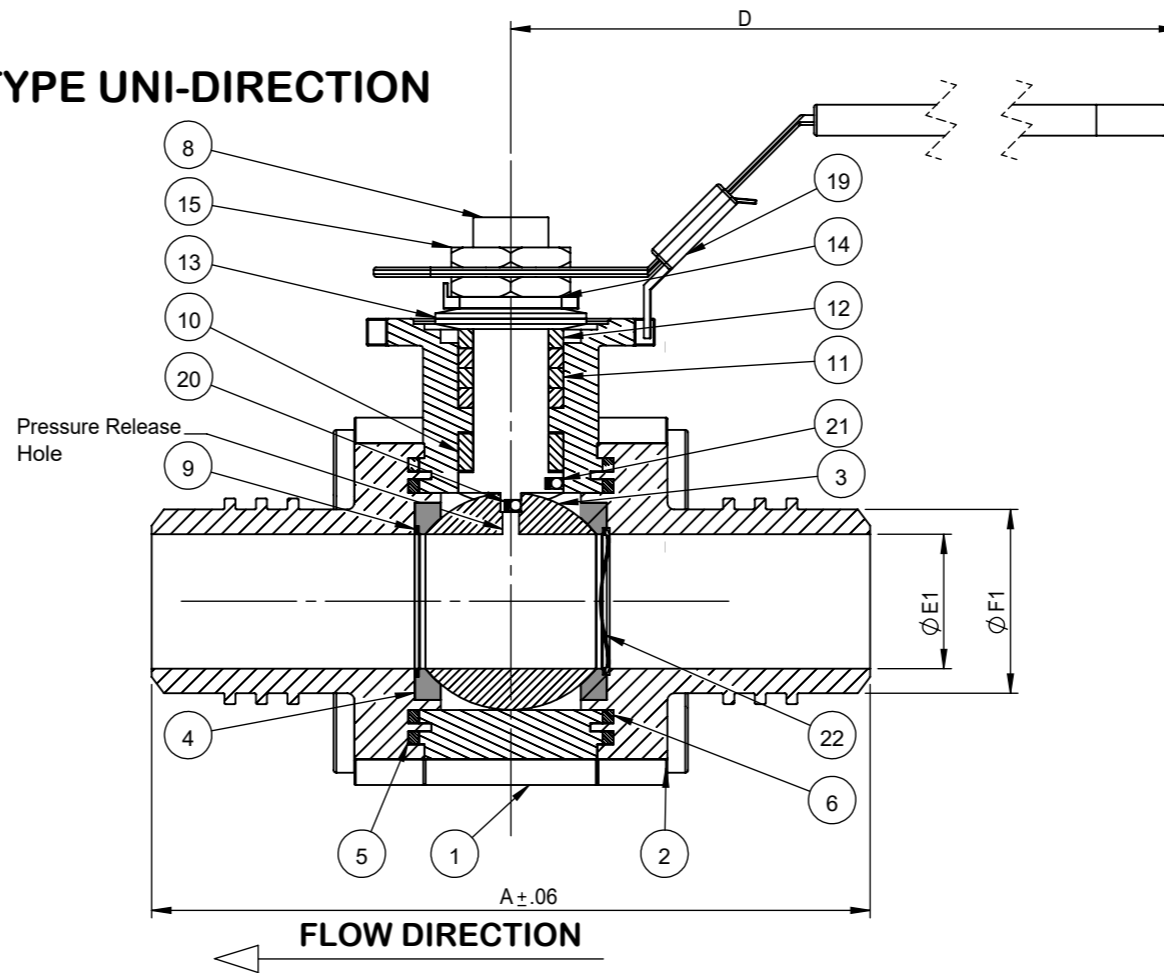


FULL PORT
Metal Seat
Size 1/4" - 4"
WCB
Tri-Pro Series 2250WOG
FIRE SAFE API 607-7



| SIZE | A | C | C1 | D | E1 | F1 | d | K | L | M | P | W | ISO |
|--------|-------|------|------|-------|------|------|-----------------|------|------|-------|------|------------|-----|
| 1/4" | 4.81 | 2.80 | 1.54 | 6.57 | 0.46 | 0.71 | 1.65 | 0.28 | 0.53 | 0.25 | 0.47 | #10-24UNC | F04 |
| 3/8" | 4.81 | 2.80 | 1.54 | 6.57 | 0.50 | 0.71 | 1.65 | 0.28 | 0.53 | 0.25 | 0.47 | #10-24UNC | F04 |
| 1/2" | 4.89 | 2.80 | 1.54 | 6.57 | 0.59 | 0.85 | 1.65 | 0.28 | 0.53 | 0.25 | 0.47 | #10-24UNC | F04 |
| 3/4" | 5.17 | 2.95 | 1.70 | 6.57 | 0.79 | 1.07 | 1.65 | 0.28 | 0.53 | 0.25 | 0.47 | #10-24UNC | F04 |
| 1" | 5.24 | 3.62 | 2.06 | 7.95 | 0.98 | 1.34 | 1.97 | 0.44 | 0.74 | 0.315 | 0.55 | 1/4-20UNC | F05 |
| 1-1/4" | 5.72 | 3.74 | 2.19 | 7.95 | 1.26 | 1.69 | 1.97 | 0.44 | 0.74 | 0.315 | 0.55 | 1/4-20UNC | F05 |
| 1-1/2" | 6.19 | 4.45 | 2.65 | 9.88 | 1.57 | 1.91 | 2.76 | 0.53 | 0.88 | 0.374 | 0.63 | 5/16-18UNC | F07 |
| 2" | 6.62 | 4.45 | 2.91 | 9.88 | 1.97 | 2.38 | 2.76 | 0.53 | 0.88 | 0.374 | 0.63 | 5/16-18UNC | F07 |
| 2-1/2" | 8.78 | 6.22 | 3.39 | 15.50 | 2.32 | 2.87 | CONSULT FACTORY | | | | | | |
| 3" | 10.00 | 7.13 | 4.45 | 15.50 | 2.99 | 3.50 | 4.02 | 1.75 | 2.76 | 0.669 | 1.10 | 1/2-13UNC | F10 |
| 4" | 17.00 | 9.41 | 5.53 | 22.50 | 3.82 | 4.50 | 4.92 | 2.03 | 2.91 | 1.024 | 1.34 | 1/2-13UNC | F12 |

P-TYPE UNI-DIRECTION



| NO | Name | Material |
|----|--------------------|-----------------------------|
| 1 | Body | ASTM A216 WCB |
| 2 | Cap | ASTM A216 WCB |
| 3 | Ball | Forged SS316 Carbide Coated |
| 4 | Seat | Forged SS316 Carbide Coated |
| 5 | Gasket (Inner) | Graphite |
| 6 | Gasket (Outer) | Graphite |
| 7 | Bolt | EN3506 A2-70/A193 B8 |
| 8 | Stem | 17-4PH |
| 9 | Seat Gasket | Graphoil |
| 10 | Thrust Washer | NIT60 |
| 11 | Stem Packing | Graphite |
| 12 | Packing Follower | SS304 |
| 13 | Belleville Washer | SS301 |
| 14 | Tap Lock Washer | SS304 |
| 15 | Stem Nut | SS304 |
| 16 | Handle | SS304 |
| 17 | Stopper | SS304 |
| 18 | Plastic Cover | Plastic |
| 19 | Locking Device | SS304 |
| 20 | Anti-Static Spring | SS301 |
| 21 | Anti-Static Ball | SS316 |
| 22 | Wavo Spring | 17-7/Inconel/A286 |

PRESSURE RATING 2250 WOG

| ANSI / FCI LEAKGE CLASS | SHUT-OFF CLASS V/VI |
|-----------------------------|---------------------|
| SHELL TEST @ 2250 PSI | ASME B16.34 |
| PRESSURE TEMPERATURE RATING | ASME B16.34 |
| END CONNECTION | ASME B16.11 |
| JOINT STRENGTH | ASME B16.34 |
| WALL THICKNESS | ASME B16.34 |
| BASIC DESIGN | ASME B16.34 |

| | | | |
|-----------------|-------------------------|----------------------|-------------|
| Drawn by : M | Date : November 9, 2018 | Scale : Not To Scale | Rev : 0 |
| Checked by : M | Date : November 9, 2018 | Unit : Inch | Sheet : xxx |
| Approved by : M | Date : November 9, 2018 | Material : See Notes | |

| | |
|----------------|-------------------------------------|
| Drawing Title: | BW 1" FULL BORE BALL VALVE |
| Drawing No.: | DS-HPF43-CS-1-MGG-L-XXX-B1/B3-C5/C6 |

FLO-TITE™ 4815 W. 5th Street Tel : 910-738-8904
 Lumberton, NC 28358 Fax : 910-738-9112
 Website: www.flotite.com E-mail : flotite@flotite.com

REVIEW ALL STANDARD SOFT PARTS FOR APPLICATION COMPATIBILITY