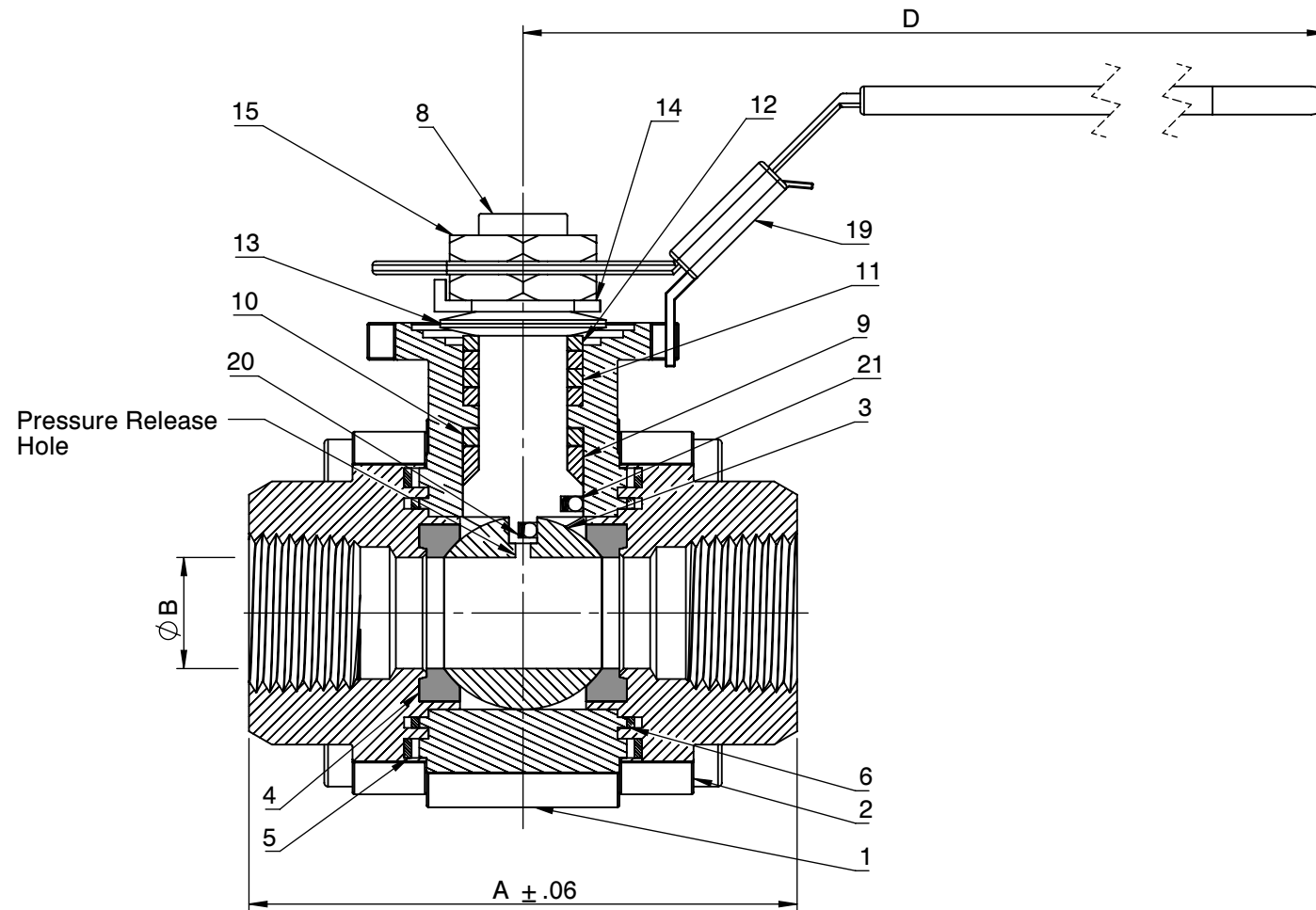
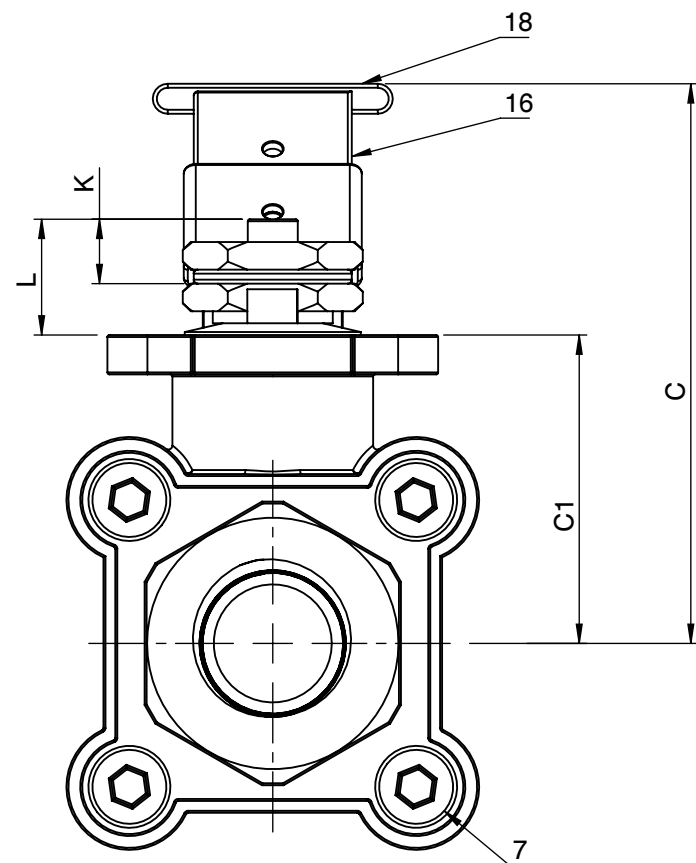


| SIZE | A | B | C | C1 | D | d | K | L | M | P | W |
|--------|-------|------|------|------|-------|-----------------|------|------|-------|------|------------|
| 1/4" | 2.72 | 0.46 | 2.80 | 1.54 | 6.57 | 1.65 | 0.28 | 0.53 | 0.25 | 0.47 | #10-24UNC |
| 3/8" | 2.72 | 0.50 | 2.80 | 1.54 | 6.57 | 1.65 | 0.28 | 0.53 | 0.25 | 0.47 | #10-24UNC |
| 1/2" | 2.91 | 0.59 | 2.80 | 1.54 | 6.57 | 1.65 | 0.32 | 0.58 | 0.25 | 0.47 | #10-24UNC |
| 3/4" | 3.39 | 0.79 | 2.95 | 1.70 | 6.57 | 1.65 | 0.28 | 0.53 | 0.25 | 0.47 | #10-24UNC |
| 1" | 3.70 | 0.98 | 3.62 | 2.06 | 7.95 | 1.97 | 0.44 | 0.74 | 0.315 | 0.55 | 1/4-20UNC |
| 1-1/4" | 4.09 | 1.26 | 3.74 | 2.19 | 7.95 | 1.97 | 0.44 | 0.74 | 0.315 | 0.55 | 1/4-20UNC |
| 1-1/2" | 4.61 | 1.57 | 4.45 | 2.65 | 9.88 | 2.76 | 0.53 | 0.88 | 0.374 | 0.63 | 5/16-18UNC |
| 2" | 5.20 | 1.97 | 4.45 | 2.91 | 9.88 | 2.76 | 0.53 | 0.88 | 0.374 | 0.63 | 5/16-18UNC |
| 2-1/2" | 7.28 | 2.56 | 6.22 | 4.21 | 15.50 | CONSULT FACTORY | | | | | |
| 3" | 8.74 | 2.99 | 7.13 | 4.45 | 15.50 | 4.02 | 1.75 | 2.76 | 0.669 | 1.10 | 1/2-13UNC |
| 4" | 13.50 | 3.94 | 9.41 | 5.53 | 22.50 | 4.92 | 2.03 | 2.91 | 1.024 | 1.34 | 1/2-13UNC |



| NO | Name | Material |
|----|--------------------|--------------------------|
| 1 | Body | ASTM A351 CF8M |
| 2 | Cap | ASTM A351 CF8M |
| 3 | Ball | ASTM A351 CF8M |
| 4 | Seat | TFM |
| 5 | Gasket (Inner) | TFM |
| 6 | Gasket (Outer) | TFM |
| 7 | Bolt | EN3506 A2-70/ A193 B8 |
| 8 | Stem | 17-4PH |
| 9 | Thrust Bearing | Carbon PTFE |
| 10 | Thrust Washer | 50%SS PTFE |
| 11 | Stem Packing | Graphite |
| 12 | Packing Follower | SS304 |
| 13 | Belleville Washer | SS301 |
| 14 | Tap Lock Washer | SS304 |
| 15 | Stem Nut | SS304 |
| 16 | Handle | SS304 |
| 17 | Stopper | SS304 |
| 18 | Plastic Cover | Plastic |
| 19 | Locking Device | SS304 |
| 20 | Anti-Static Spring | SS301 |
| 21 | Anti-Static Ball | SS316 |

| ANSI PRESSURE RATING CLASS 600/3000 WOG | |
|---|-------------|
| SEAT TEST @ 80~100 PSI | ASME B16.34 |
| SHELL TEST @ 2175 PSI | ASME B16.34 |
| PRESSURE TEMPERATURE RATING | ASME B16.34 |
| END CONNECTION | ASME B16.11 |
| JOINT STRENGTH | ASME B16.34 |
| WALL THICKNESS | ASME B16.34 |
| BASIC DESIGN | ASME B16.34 |

FOR CERTIFIED
DRAWINGS CONSULT
FACTORY

| | | | | | | | |
|---------------|---|--------|------------------|------------|--------------|---------|-----|
| Drawn by : | M | Date : | November 9, 2018 | Scale : | Not To Scale | Rev : | 0 |
| Checked by : | M | Date : | November 9, 2018 | Unit : | Inch | Sheet : | xxx |
| Approved by : | M | Date : | November 9, 2018 | Material : | See Notes | | |

| | |
|----------------|-------------------------------|
| Drawing Title: | NPT 1/2" FULL BORE BALL VALVE |
| Drawing No.: | DS-HPF51SS1FFFL-15 |

FLO TITE™ 4815 W. 5th Street Tel : 910-738-8904
Lumberton, NC 28358 Fax : 910-738-9112
Website: www.flotite.com E-mail : flotite@flotite.com

REVIEW ALL STANDARD SOFT PARTS FOR APPLICATION COMPATIBILITY