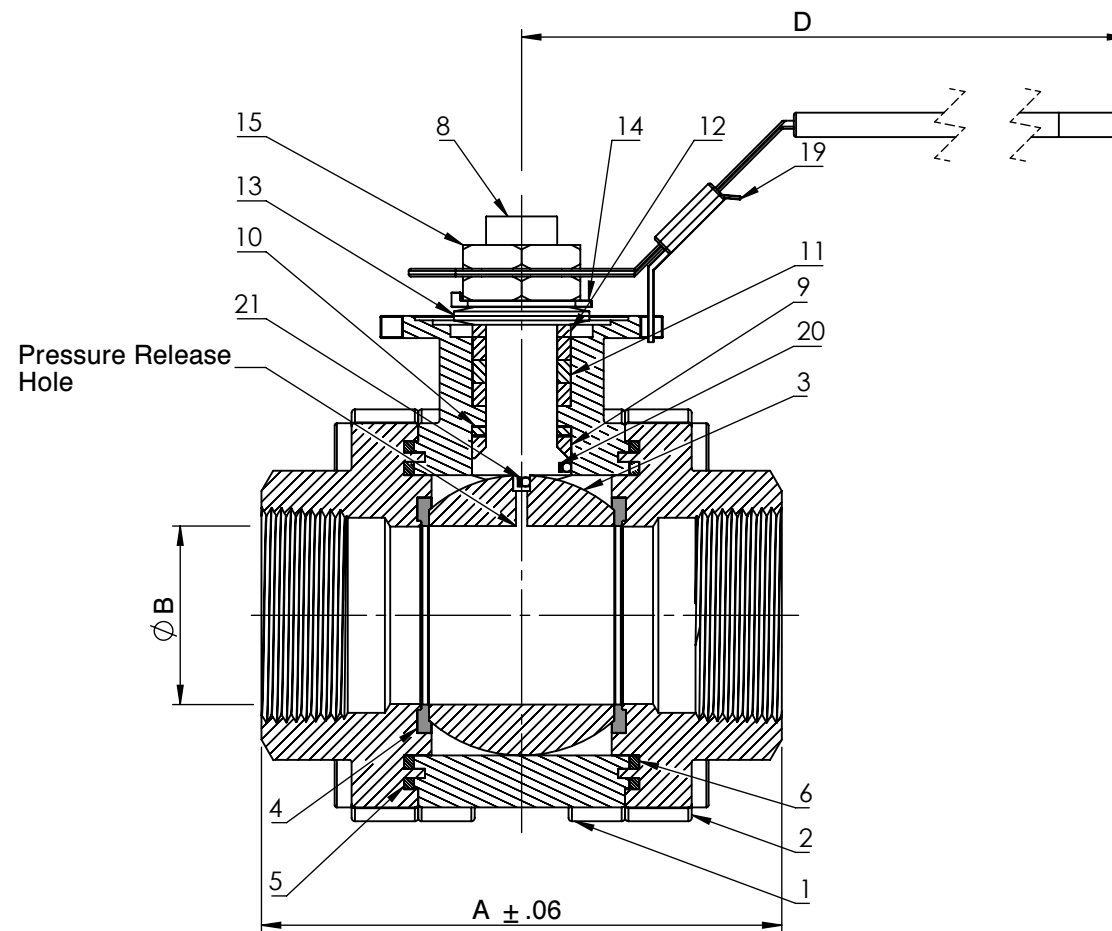
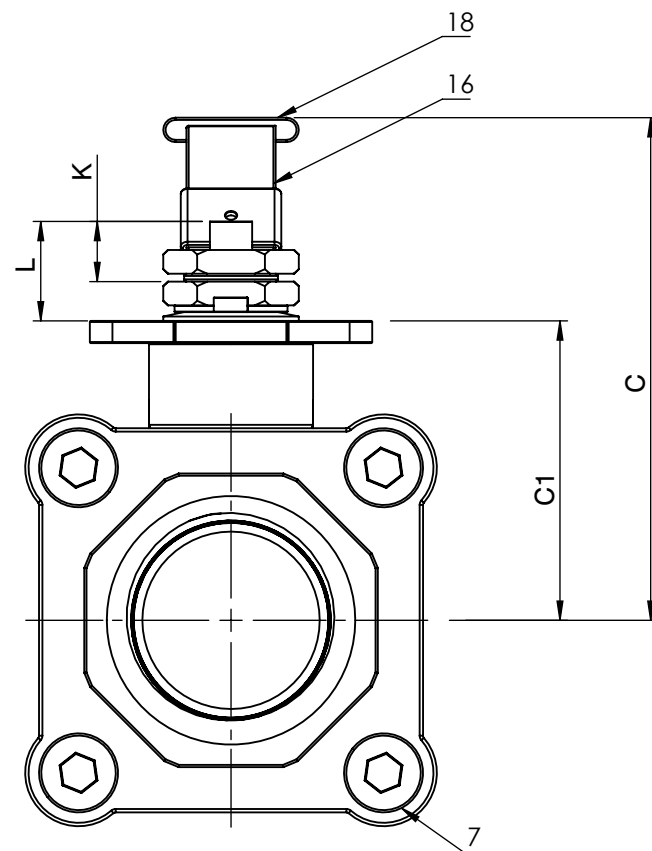


| SIZE   | A     | B    | C    | C1   | D     | d               | K    | L    | M     | P    | W          |
|--------|-------|------|------|------|-------|-----------------|------|------|-------|------|------------|
| 1/4"   | 2.72  | 0.46 | 2.80 | 1.54 | 6.57  | 1.65            | 0.28 | 0.53 | 0.25  | 0.47 | #10-24UNC  |
| 3/8"   | 2.72  | 0.50 | 2.80 | 1.54 | 6.57  | 1.65            | 0.28 | 0.53 | 0.25  | 0.47 | #10-24UNC  |
| 1/2"   | 2.91  | 0.59 | 2.80 | 1.54 | 6.57  | 1.65            | 0.32 | 0.58 | 0.25  | 0.47 | #10-24UNC  |
| 3/4"   | 3.39  | 0.79 | 2.95 | 1.70 | 6.57  | 1.65            | 0.28 | 0.53 | 0.25  | 0.47 | #10-24UNC  |
| 1"     | 3.70  | 0.98 | 3.62 | 2.06 | 7.95  | 1.97            | 0.44 | 0.74 | 0.315 | 0.55 | 1/4-20UNC  |
| 1-1/4" | 4.09  | 1.26 | 3.74 | 2.19 | 7.95  | 1.97            | 0.44 | 0.74 | 0.315 | 0.55 | 1/4-20UNC  |
| 1-1/2" | 4.61  | 1.57 | 4.45 | 2.65 | 9.88  | 2.76            | 0.53 | 0.88 | 0.374 | 0.63 | 5/16-18UNC |
| 2"     | 5.20  | 1.97 | 4.45 | 2.91 | 9.88  | 2.76            | 0.53 | 0.88 | 0.374 | 0.63 | 5/16-18UNC |
| 2-1/2" | 7.28  | 2.56 | 6.22 | 4.21 | 15.50 | CONSULT FACTORY |      |      |       |      |            |
| 3"     | 8.74  | 2.99 | 7.13 | 4.45 | 15.50 | 4.02            | 1.75 | 2.76 | 0.669 | 1.10 | 1/2-13UNC  |
| 4"     | 13.50 | 3.94 | 9.41 | 5.53 | 22.50 | 4.92            | 2.03 | 2.91 | 1.024 | 1.34 | 1/2-13UNC  |



| NO | Name               | Material                 |
|----|--------------------|--------------------------|
| 1  | Body               | ASTM A351 CF8M           |
| 2  | Cap                | ASTM A351 CF8M           |
| 3  | Ball               | ASTM A351 CF8M           |
| 4  | Seat               | TFM                      |
| 5  | Gasket (Inner)     | TFM                      |
| 6  | Gasket (Outer)     | Graphite                 |
| 7  | Bolt               | EN3506 A2-70/<br>A193 B8 |
| 8  | Stem               | 17-4PH                   |
| 9  | Thrust Bearing     | Carbon PTFE              |
| 10 | Thrust Washer      | 50%SS PTFE               |
| 11 | Stem Packing       | Graphite                 |
| 12 | Packing Follower   | SS304                    |
| 13 | Belleville Washer  | SS301                    |
| 14 | Tap Lock Washer    | SS304                    |
| 15 | Stem Nut           | SS304                    |
| 16 | Handle             | SS304                    |
| 17 | Stopper            | SS304                    |
| 18 | Plastic Cover      | Plastic                  |
| 19 | Locking Device     | SS304                    |
| 20 | Anti-Static Spring | SS301                    |
| 21 | Anti-Static Ball   | SS316                    |

ANSI PRESSURE RATING CLASS 600/2250 WOG

|                             |             |
|-----------------------------|-------------|
| SEAT TEST @ 80-100 PSI      | ASME B16.34 |
| SHELL TEST @ 2175 PSI       | ASME B16.34 |
| PRESSURE TEMPERATURE RATING | ASME B16.34 |
| END CONNECTION              | ASME B16.11 |
| JOINT STRENGTH              | ASME B16.34 |
| WALL THICKNESS              | ASME B16.34 |
| BASIC DESIGN                | ASME B16.34 |

|  |                 |                         |                      |             |
|--|-----------------|-------------------------|----------------------|-------------|
| FOR CERTIFIED<br>DRAWINGS CONSULT<br>FACTORY | Drawn by : M    | Date : November 9, 2018 | Scale : Not To Scale | Rev : 0     |
|  | Checked by : M  | Date : November 9, 2018 | Unit : Inch          | Sheet : xxx |
|  | Approved by : M | Date : November 9, 2018 | Material : See Notes |             |

Drawing Title: NPT 1-1/2" FULL BORE BALL VALVE  
 Drawing No.: DS-HPF51SS1FGGL-40



4815 W. 5th Street  
 Lumberton, NC 28358  
 Website: www.flotite.com  
 Tel : 910-738-8904  
 Fax : 910-738-9112  
 E-mail : flotite@flotite.com

REVIEW ALL STANDARD SOFT PARTS FOR APPLICATION COMPATIBILITY