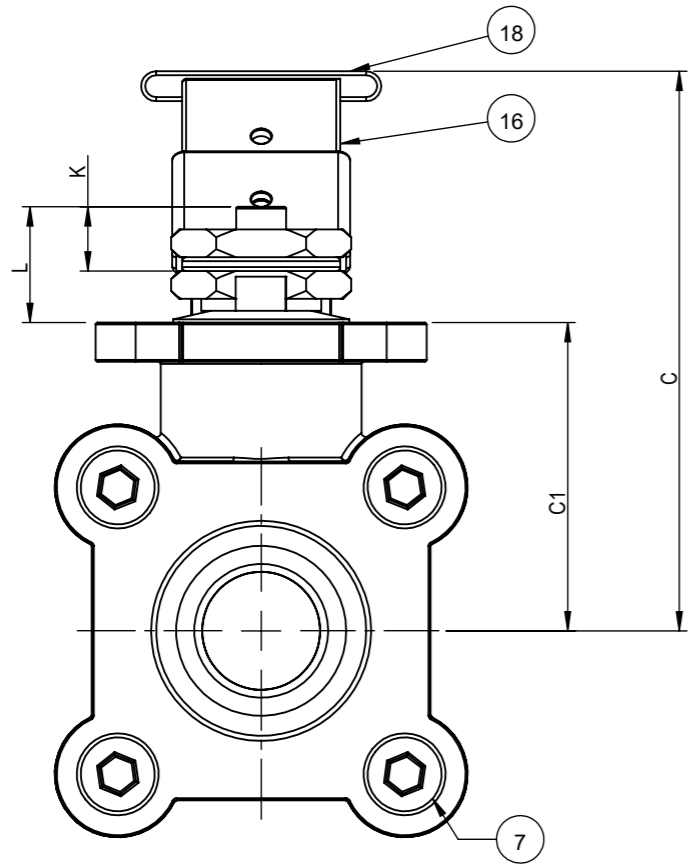
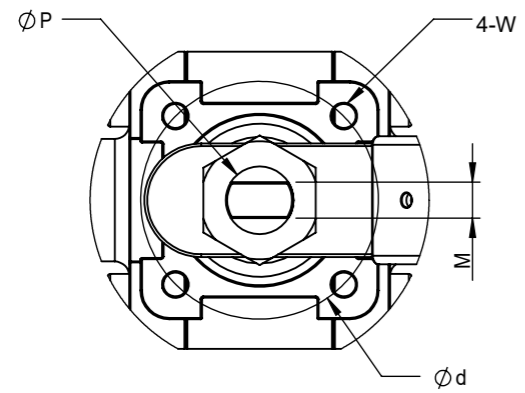
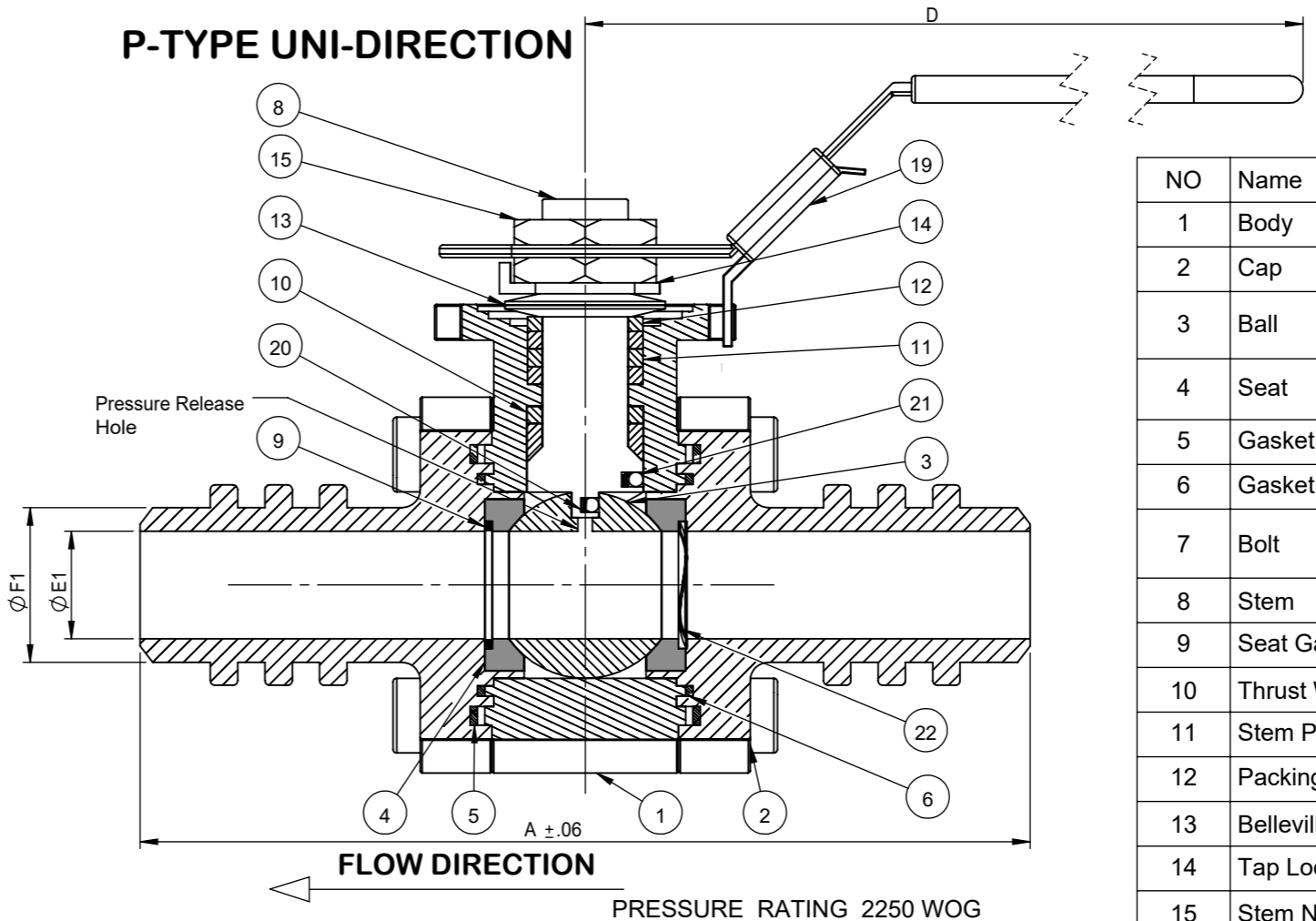


**Tri-Pro Series 2250WOG 316SS Metal Seat**  
**Size 1/4" - 4"**  
**FULL PORT**  
**FIRE SAFE API 607-7**



SIZE	A	C	C1	D	E1	F1	d	K	L	M	P	W	ISO
1/4"	4.81	2.80	1.54	6.57	0.46	0.71	1.65	0.28	0.53	0.25	0.47	#10-24UNC	F04
3/8"	4.81	2.80	1.54	6.57	0.50	0.71	1.65	0.28	0.53	0.25	0.47	#10-24UNC	F04
1/2"	4.89	2.80	1.54	6.57	0.59	0.85	1.65	0.28	0.53	0.25	0.47	#10-24UNC	F04
3/4"	5.17	2.95	1.70	6.57	0.79	1.07	1.65	0.28	0.53	0.25	0.47	#10-24UNC	F04
1"	5.24	3.62	2.06	7.95	0.98	1.34	1.97	0.44	0.74	0.315	0.55	1/4-20UNC	F05
1-1/4"	5.72	3.74	2.19	7.95	1.26	1.69	1.97	0.44	0.74	0.315	0.55	1/4-20UNC	F05
1-1/2"	6.19	4.45	2.65	9.88	1.57	1.91	2.76	0.53	0.88	0.374	0.63	5/16-18UNC	F07
2"	6.62	4.45	2.91	9.88	1.97	2.38	2.76	0.53	0.88	0.374	0.63	5/16-18UNC	F07
2-1/2"	8.78	6.22	3.39	15.50	2.32	2.87	CONSULT FACTORY						
3"	10.00	7.13	4.45	15.50	2.99	3.50	4.02	1.75	2.76	0.669	1.10	1/2-13UNC	F10
4"	17.00	9.41	5.53	22.50	3.82	4.50	4.92	2.03	2.91	1.024	1.34	1/2-13UNC	F12

**P-TYPE UNI-DIRECTION**



NO	Name	Material
1	Body	ASTM A351 CF8M
2	Cap	ASTM A351 CF8M
3	Ball	Forged SS316 Carbide Coated
4	Seat	Forged SS316 Carbide Coated
5	Gasket (Inner)	Graphite
6	Gasket (Outer)	Graphite
7	Bolt	EN3506 A2-70/ A193 B8
8	Stem	17-4PH
9	Seat Gasket	Graphoil
10	Thrust Washer	NIT60
11	Stem Packing	Graphite
12	Packing Follower	SS304
13	Belleville Washer	SS301
14	Tap Lock Washer	SS304
15	Stem Nut	SS304
16	Handle	SS304
17	Stopper	SS304
18	Plastic Cover	Plastic
19	Locking Device	SS304
20	Anti-Static Spring	SS301
21	Anti-Static Ball	SS316
22	Wavo Spring	17-7/Inconel/A286

ANSI / FCI LEAKGE CLASS	SHUT-OFF CLASS V/VI
SHELL TEST @ 2250 PSI	ASME B16.34
PRESSURE TEMPERATURE RATING	ASME B16.34
END CONNECTION	ASME B16.11
JOINT STRENGTH	ASME B16.34
WALL THICKNESS	ASME B16.34
BASIC DESIGN	ASME B16.34

Drawn by : M	Date : November 9, 2018	Scale : Not To Scale	Rev : 0	Drawing Title: BW 1/2"FULL BORE BALL VALVE		4815 W. 5th Street Lumberton, NC 28358 Website: www.flotite.com	Tel : 910-738-8904 Fax : 910-738-9112 E-mail : flotite@flotite.com
Checked by : M	Date : November 9, 2018	Unit : Inch	Sheet : xxx	Drawing No.: DS-HPF53-SS-1-MGG-L-XXX-B1/B3-C5/C6			
Approved by : M	Date : November 9, 2018	Material : See Notes					

REVIEW ALL STANDARD SOFT PARTS FOR APPLICATION COMPATIBILITY