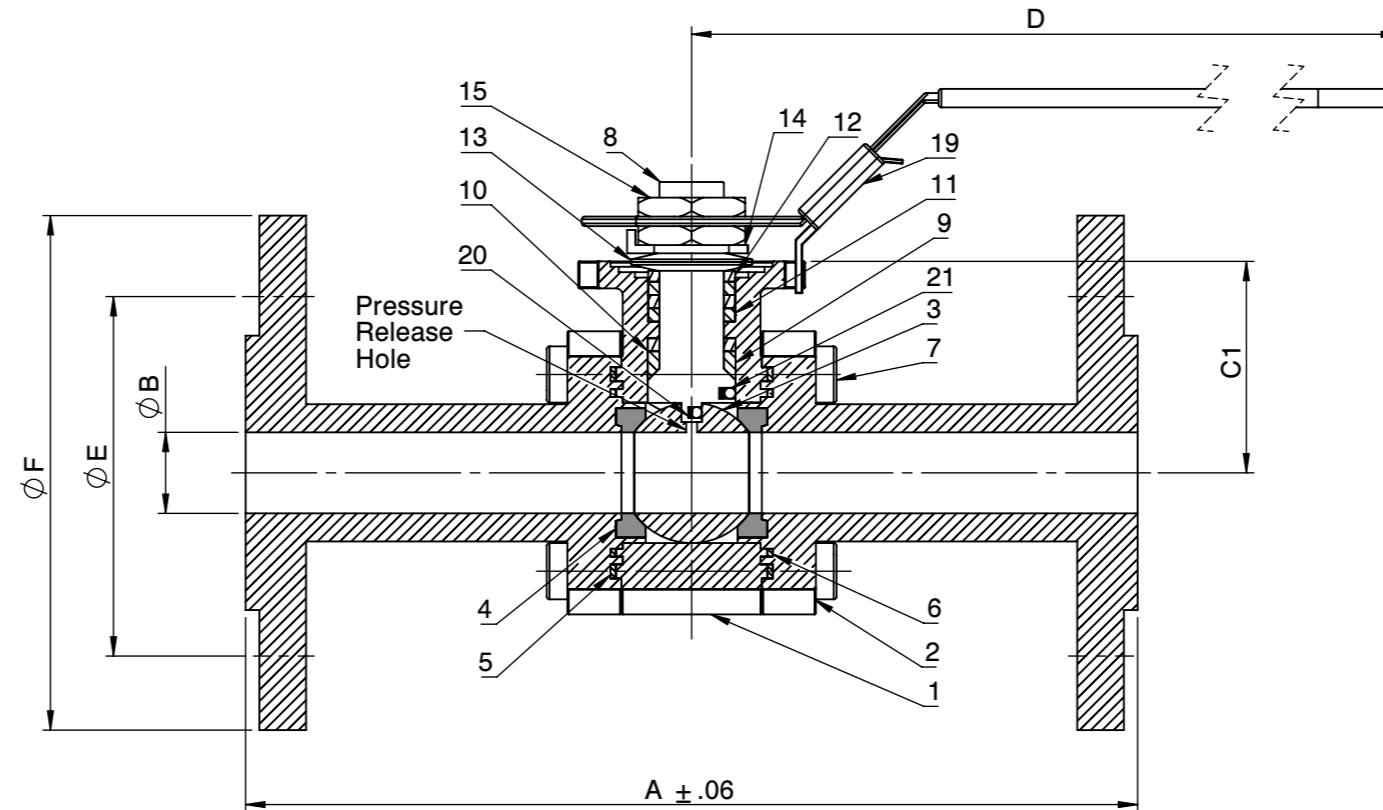
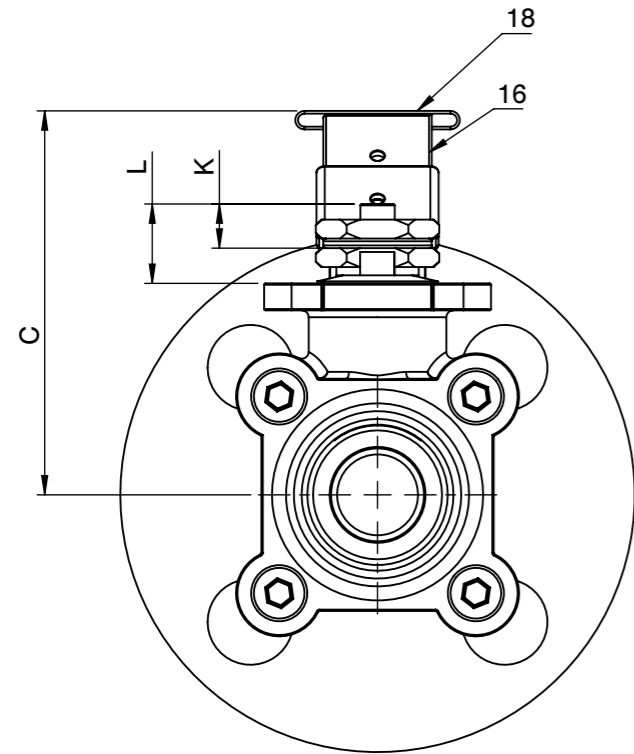


SIZE	A	B	C	C1	D	E	F	d	K	L	M	P	W
1/2"	6.50	0.59	2.80	1.54	6.57	2.62	3.75	1.65	0.32	0.58	0.25	0.47	#10-24UNC
3/4"	7.50	0.79	2.95	1.70	6.57	3.25	4.62	1.65	0.28	0.53	0.25	0.47	#10-24UNC
1"	8.50	0.98	3.62	2.06	7.95	3.50	4.88	1.97	0.44	0.74	0.315	0.55	1/4-20UNC
1-1/4"	9.00	1.26	3.74	2.19	7.95	3.88	5.25	1.97	0.44	0.74	0.315	0.55	1/4-20UNC
1-1/2"	9.50	1.57	4.45	2.65	9.88	4.50	6.12	2.76	0.53	0.88	0.374	0.63	5/16-18UNC
2"	11.50	1.97	4.45	2.91	9.88	5.00	6.50	2.76	0.53	0.88	0.374	0.63	5/16-18UNC
2-1/2"	13.00	2.56	6.22	4.21	15.50	5.88	7.50	CONSULT FACTORY					
3"	14.00	2.99	7.13	4.45	15.50	6.62	8.25	4.02	1.75	2.76	0.669	1.10	1/2-13UNC
4"	17.00	3.94	9.41	5.53	22.50	8.50	10.75	4.92	2.03	2.91	1.024	1.34	1/2-13UNC



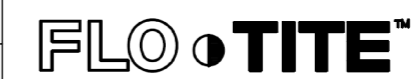
NO	Name	Material
1	Body	ASTM A351 CF8M
2	Cap	ASTM A351 CF8M
3	Ball	ASTM A351 CF8M
4	Seat	TFM
5	Gasket (Inner)	TFM
6	Gasket (Outer)	Graphite
7	Bolt	EN3506 A2-70/ A193 B8
8	Stem	17-4PH
9	Thrust Bearing	Carbon PTFE
10	Thrust Washer	50%SS PTFE
11	Stem Packing	Graphite
12	Packing Follower	SS304
13	Belleville Washer	SS301
14	Tap Lock Washer	SS304
15	Stem Nut	SS304
16	Handle	SS304
17	Stopper	SS304
18	Plastic Cover	Plastic
19	Locking Device	SS304
20	Anti-Static Spring	SS301
21	Anti-Static Ball	SS316

ANSI PRESSURE RATING CLASS 600/3000 WOG	
SEAT TEST @ 80~100 PSI	ASME B16.34
SHELL TEST @ 2175 PSI	ASME B16.34
PRESSURE TEMPERATURE RATING	ASME B16.34
END CONNECTION	ASME B16.5
JOINT STRENGTH	ASME B16.34
WALL THICKNESS	ASME B16.34
BASIC DESIGN	ASME B16.34

FOR CERTIFIED  
DRAWINGS CONSULT  
FACTORY

Drawn by :	M	Date :	November 9, 2018	Scale :	Not To Scale	Rev :	0
Checked by :	M	Date :	November 9, 2018	Unit :	Inch	Sheet :	xxx
Approved by :	M	Date :	November 9, 2018	Material :	See Notes		

Drawing Title:	FLG 1/2"FULL BORE BALL VALVE
Drawing No.:	DS-HPF56SS6FGGL-15



4815 W. 5th Street  
Lumberton, NC 28358  
Website: www.flotite.com  
Tel : 910-738-8904  
Fax : 910-738-9112  
E-mail : flotite@flotite.com

REVIEW ALL STANDARD SOFT PARTS FOR APPLICATION COMPATIBILITY