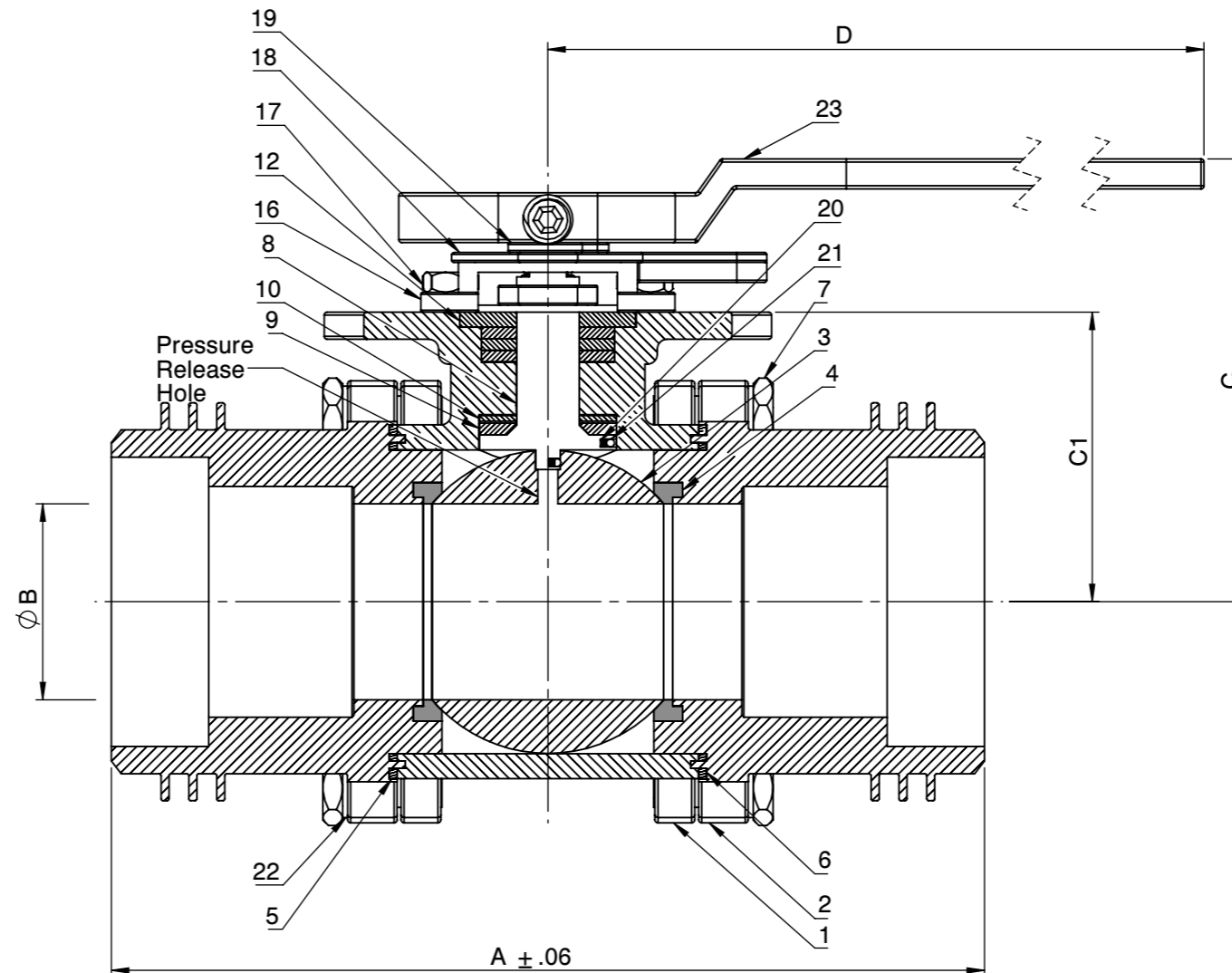


| SIZE | A | B | C | C1 | D | d | K | L | M | P | W |
|--------|-------|------|------|------|------|-----------------|------|------|-------|------|------------|
| 1/2" | 4.85 | 0.50 | 2.80 | 1.54 | 6.57 | 1.65 | 0.32 | 0.58 | 0.25 | 0.47 | #10-24UNC |
| 3/4" | 4.89 | 0.59 | 2.80 | 1.54 | 6.57 | 1.65 | 0.28 | 0.53 | 0.25 | 0.47 | #10-24UNC |
| 1" | 5.17 | 0.79 | 2.95 | 1.70 | 6.57 | 1.65 | 0.28 | 0.53 | 0.25 | 0.47 | #10-24UNC |
| 1-1/2" | 5.72 | 1.26 | 3.74 | 2.19 | 7.95 | 1.97 | 0.44 | 0.74 | 0.315 | 0.55 | 1/4-20UNC |
| 2" | 6.19 | 1.57 | 4.45 | 2.65 | 9.88 | 2.76 | 0.53 | 0.88 | 0.374 | 0.63 | 5/16-18UNC |
| 2-1/2" | 8.78 | 1.97 | 4.45 | 2.91 | 9.88 | 2.76 | 0.53 | 0.88 | 0.374 | 0.63 | 5/16-18UNC |
| 3" | 9.57 | 2.56 | 6.22 | 4.21 | 15.5 | CONSULT FACTORY | | | | | |
| 4" | 12.01 | 2.99 | 7.13 | 4.45 | 15.5 | 4.02 | 1.75 | 2.76 | 0.669 | 1.10 | 1/2-13UNC |



| NO | Name | Material |
|----|--------------------|--------------------------|
| 1 | Body | ASTM A351 CF8M |
| 2 | Cap | ASTM A351 CF8M |
| 3 | Ball | ASTM A351 CF8M |
| 4 | Seat | TFM |
| 5 | Gasket (Inner) | TFM |
| 6 | Gasket (Outer) | Graphite |
| 7 | Bolt | EN3506 A2-70/ A193 B8 |
| 8 | Stem | 17-4PH |
| 9 | O-Ring | Viton |
| 10 | Thrust Washer | 50%SS PTFE |
| 11 | Stem Packing | Graphite |
| 12 | Packing Follower | SS304 |
| 13 | Belleville Washer | SS301 |
| 14 | Packing Gland | SS304 |
| 15 | Gland Bolts | SS304 |
| 16 | Stop Housing | SS304 |
| 17 | Housing Bolts | SS304 |
| 18 | Travel Stopper | SS304 |
| 19 | Snap Ring | Nickel Plated C.S. |
| 20 | Anti-Static Spring | SS301 |
| 21 | Anti-Static Ball | SS316 |
| 22 | Spring Washers | SS304 |
| 23 | Handle | Ductile Iron |
| 24 | Set screw | SS304 |

ANSI PRESSURE RATING CLASS 600/2250 WOG

| | |
|-----------------------------|-------------|
| SEAT TEST @ 80~100 PSI | ASME B16.34 |
| SHELL TEST @ 2175 PSI | ASME B16.34 |
| PRESSURE TEMPERATURE RATING | ASME B16.34 |
| END CONNECTION | ASME B16.25 |
| JOINT STRENGTH | ASME B16.34 |
| WALL THICKNESS | ASME B16.34 |
| BASIC DESIGN | ASME B16.34 |

| | | | | | | | | |
|--|-----------------|-------------------------|----------------------|-------------|---|--|---|--|
| FOR CERTIFIED DRAWINGS CONSULT FACTORY | Drawn by : M | Date : November 9, 2018 | Scale : Not To Scale | Rev : 0 | Drawing Title: SW 2-1/2" REDUCED BORE BALL VALVE Drawing No.: DS-HPS52SS2FGGL-65 | | 4815 W. 5th Street Lumberton, NC 28358 Website: www.flotite.com | Tel : 910-738-8904 Fax : 910-738-9112 E-mail : flotite@flotite.com |
| | Checked by : M | Date : November 9, 2018 | Unit : Inch | Sheet : xxx | | | | |
| | Approved by : M | Date : November 9, 2018 | Material : See Notes | | | | | |

REVIEW ALL STANDARD SOFT PARTS FOR APPLICATION COMPATIBILITY