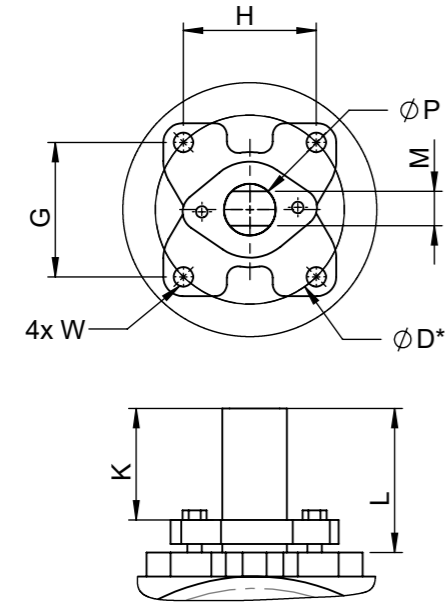
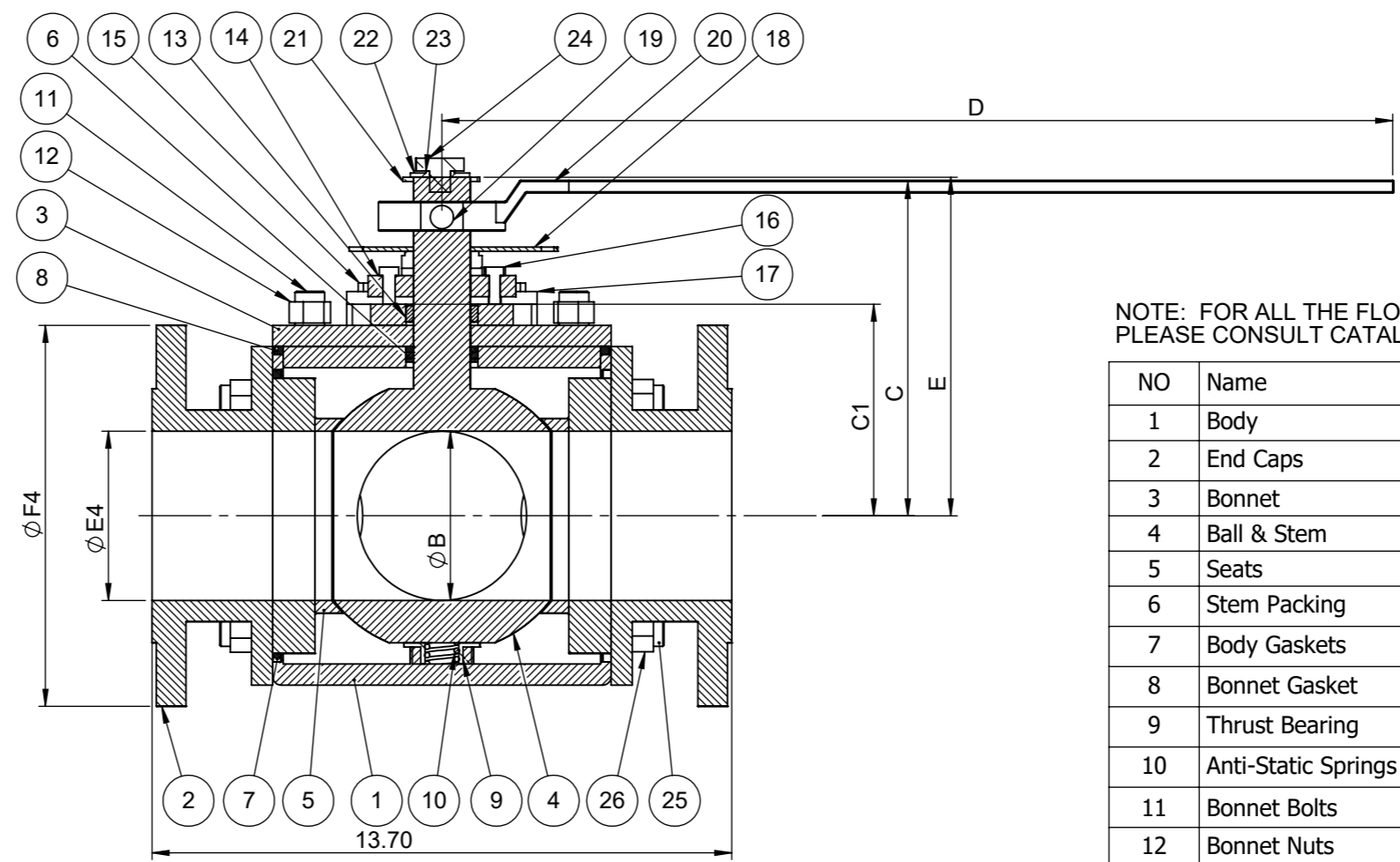


**Trans-Flo Series**  
**ANSI 300 316SS**  
**TFM Seat**  
**FULL PORT**  
**Size 2 1/2" - 4"**

SIZE	Unit	A	B	C	C1	D	E	F4	N	S	T	D*	G	H	K	L	M	P	W	ISO
2-1/2"	Inch	11.22	2.6	C/F	C/F	15.6	C/F	7.5	8	5.88	0.87	2.76	1.95	1.95	1.89	2.75	0.669	1.16	7/16-14unc	F07
	mm	284.988	66.04			396.24		190.5	8	149.352	22.098	70.104	49.53	49.53	48.006	69.85	16.9926	29.464	7/16-14unc	F07
3"	Inch	11.85	2.99	5.76	3.86	15.6	6.85	8.25	8	6.62	0.87	4.02	3.5	1.89	2.28	2.99	0.669	1.16	1/2-13unc	F10
	mm	300.99	75.946	146.304	98.044	396.24	173.99	209.55	8	168.148	22.098	102.108	88.9	48.006	57.912	75.946	16.9926	29.464	1/2-13unc	F10
4"	Inch	15.35	3.94	7.29	4.91	21.1	8.1	10	8	7.88	0.87	4.92	3.5	3.5	2.28	3.26	0.906	1.34	1/2-13unc	F12
	mm	389.89	100.076	185.166	124.714	535.94	205.74	254	8	200.152	22.098	124.968	88.9	88.9	57.912	82.804	23.0124	34.036	1/2-13unc	F12

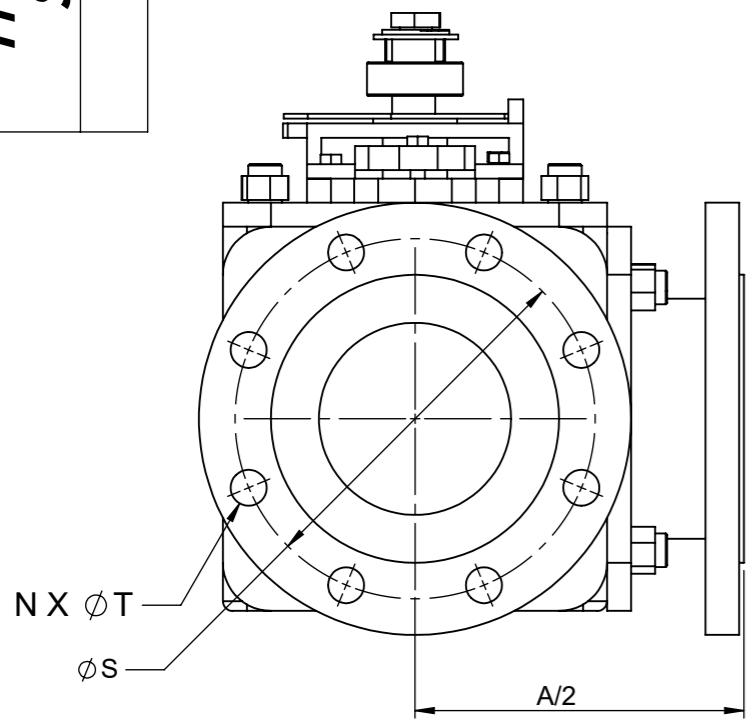


Actuator ISO Mounting Flange (F12)



NOTE: FOR ALL THE FLOW PLANS, PLEASE CONSULT CATALOG 90 - 22 PAGE #15

NO	Name	Material	Qty
1	Body	ASTM A351 CF8M	1
2	End Caps	ASTM A351 CF8M	3
3	Bonnet	ASTM A351 CF8M	1
4	Ball & Stem	ASTM A351 CF8M	1
5	Seats	TFM	3
6	Stem Packing	TFM/Graphite *	1
7	Body Gaskets	50/50/Graphite *	3
8	Bonnet Gasket	50/50/Graphite *	1
9	Thrust Bearing	50/50/PEEK *	1
10	Anti-Static Springs	SS304	1
11	Bonnet Bolts	ASTM A193 B8	set
12	Bonnet Nuts	ASTM A194 Gr. 8	set
13	Packing Follower	SS304	1
14	Packing Gland	ASTM A351 CF8	1
15	Gland Bolts	SS304	2
16	Housing Bolts	SS304	4
17	Stop Housing	ASTM A351 CF8	1
18	Travel Stop	SS304	1
19	Handle Screw	SS304	1
20	Handle	Ductile Iron	1
21	Snap Ring	Plated Steel	1
22	Port Sign	SS304	1
23	Plain Washer	SS304	1
24	Sign Screw	SS304	1
25	Body Studs	ASTM A193 B8	set
26	Body Nuts	ASTM A194 Gr. 8	set



ANSI CLASS 300	
SEAT TEST @ ANSI 150 PSI	ASME B16.34
SHELL TEST @ 1125 PSI	ASME B16.34
PRESSURE TEMPERATURE RATING	ASME B16.34
END CONNECTION	ASME B16.25
JOINT STRENGTH	ASME B16.34
WALL THICKNESS	ASME B16.34
BASIC DESIGN	ASME B16.34

Drawn by : M	Date : November 9, 2018	Scale : Not To Scale	Rev : 0
Checked by : M	Date : November 9, 2018	Unit : Inch	Sheet : xxx
Approved by : M	Date : November 9, 2018	Material : See Notes	

Drawing Title:	FLG FULL BORE BALL VALVE
Drawing No.:	DS-MPF30-SS-T-FFG-L-XXX

**FLO TITE™**  
 4815 W. 5th Street  
 Lumberton, NC 28358  
 Website: www.flotite.com  
 Tel : 910-738-8904  
 Fax : 910-738-9112  
 E-mail : flotite@flotite.com

REVIEW ALL STANDARD SOFT PARTS FOR APPLICATION COMPATIBILITY

\* Optional Items