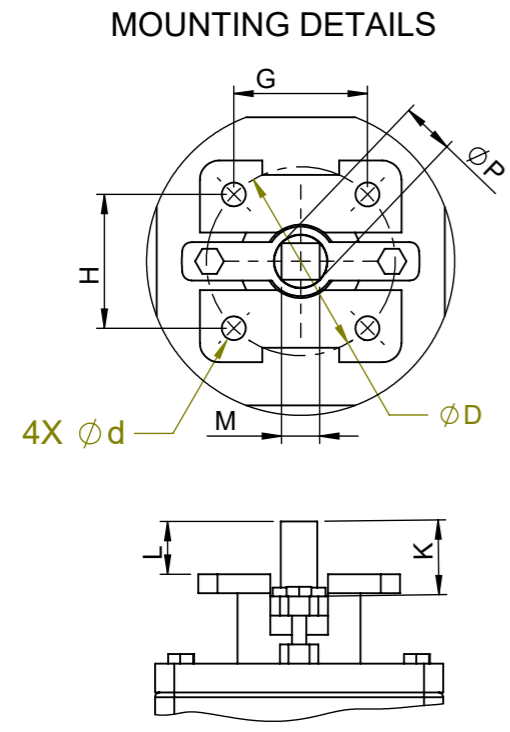
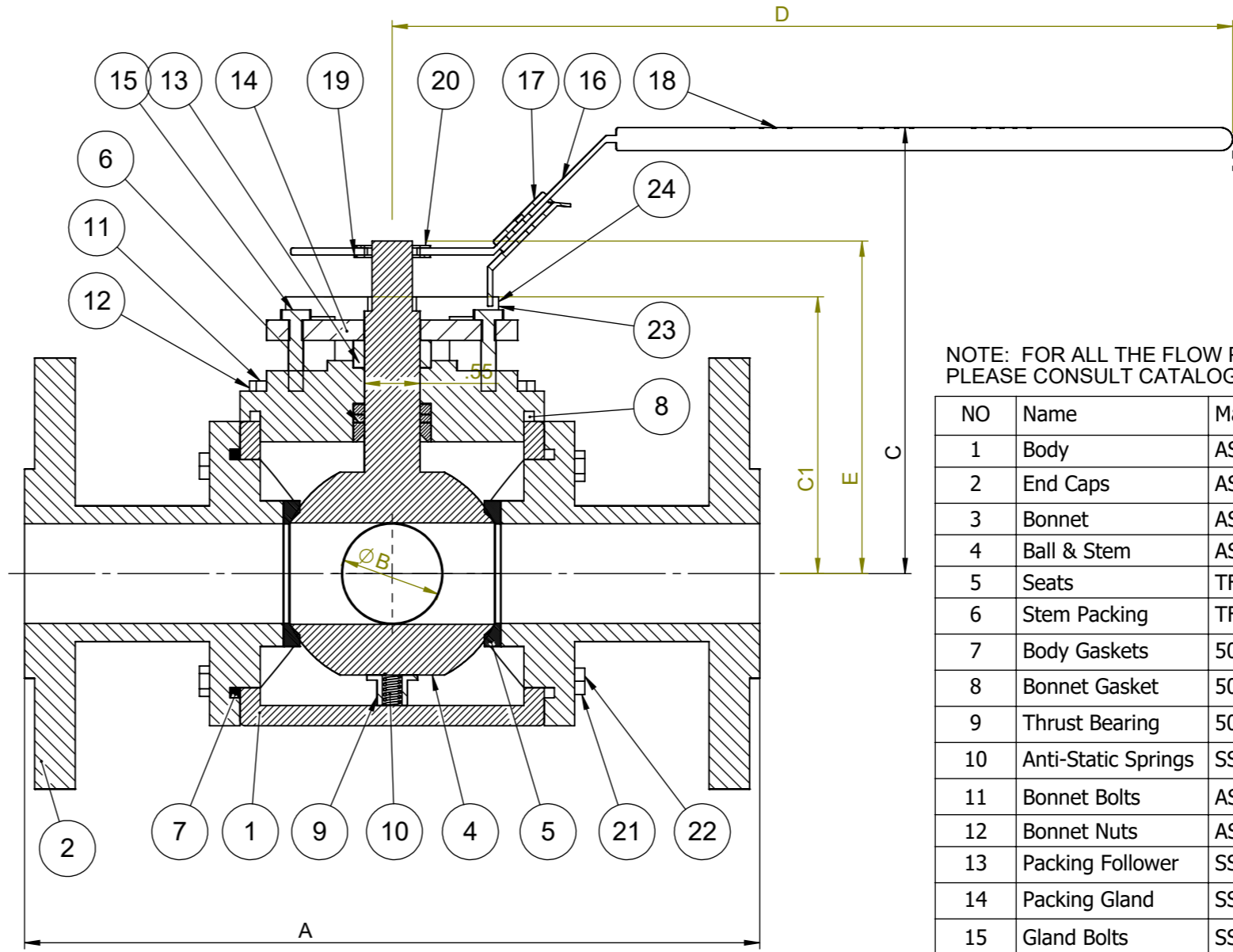


Trans-Flo Series
ANSI 300 316SS
TFM Seat
FULL PORT
Size 1-1/2" - 2"

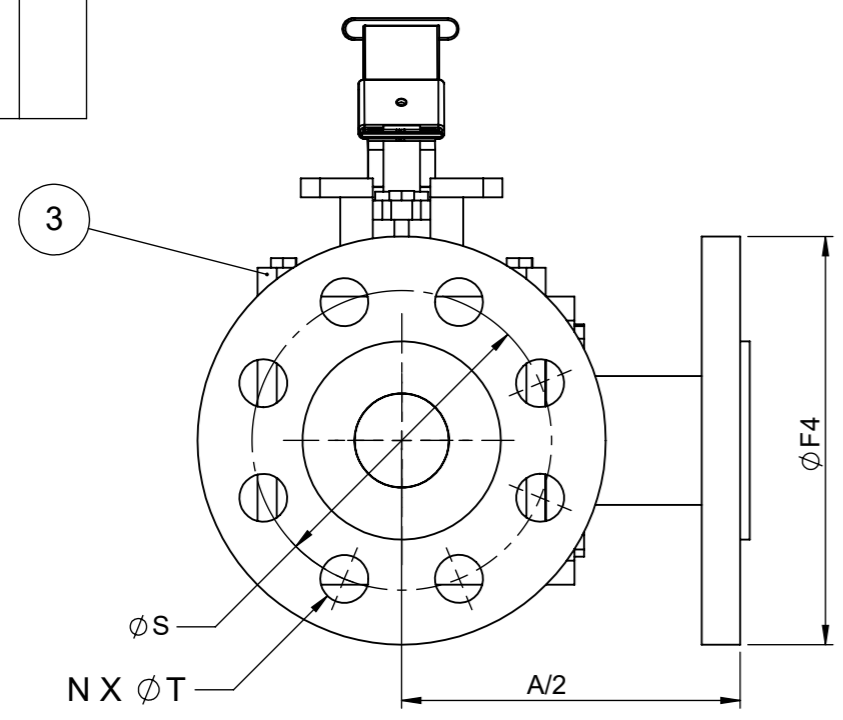


SIZE	Unit	A	B	C	C1	D	E	F4	N	S	T	d	D	G	H	K	L	M	P	ISO
1 1/2"	Inch	8.62	1.57	6.4	4.04	10.41	4.74	6.14	4	4.5	0.87	0.35	2.76	1.95	1.95	1.02	0.71	0.551	0.71	F07
	mm	218.948	39.878	162.56	102.616	264.414	120.396	155.956	4	114.3	22.098	8.89	70.104	49.53	49.53	25.908	18.034	13.995	18.034	F07
2"	Inch	9.37	1.97	6.24	3.84	10.41	4.67	6.5	8	5	0.75	0.35	2.76	1.95	1.95	1.18	0.86	0.669	0.87	F07
	mm	237.998	50.038	158.496	97.536	264.414	118.618	165.1	8	127	19.05	8.89	70.104	49.53	49.53	29.972	21.844	16.9926	22.098	F07



NOTE: FOR ALL THE FLOW PLANS, PLEASE CONSULT CATALOG 90 - 22 PAGE #15

NO	Name	Material	Qty
1	Body	ASTM A351 CF8M	1
2	End Caps	ASTM A351 CF8M	3
3	Bonnet	ASTM A351 CF8M	1
4	Ball & Stem	ASTM A351 CF8M	1
5	Seats	TFM	3
6	Stem Packing	TFM/Graphite *	1
7	Body Gaskets	50/50/Graphite *	3
8	Bonnet Gasket	50/50/Graphite *	1
9	Thrust Bearing	50/50/PEEK *	1
10	Anti-Static Springs	SS304	1
11	Bonnet Bolts	ASTM A193 B8	4
12	Bonnet Nuts	ASTM A194 Gr. 8	4
13	Packing Follower	SS304	1
14	Packing Gland	SS304	1
15	Gland Bolts	SS304	2
16	Handle	SS304	1
17	Handle Lock	SS304	1
18	Handle Sleeve	Plastic	1
19	First Snap Ring	Plated Steel	1
20	Second Snap Ring	Plated Steel	1
21	Body Studs	ASTM A193 B8	12
22	Body Nuts	ASTM A194 Gr. 8	12
23	Handle Stop Nuts	SS304	1
24	Handle Stop Bolts	SS304	1



ANSI CLASS 300	
ANSI / FCI LEAKGE CLASS	SHUT-OFF CLASS V/VI
SHELL TEST @ 1125 PSI	ASME B16.34
PRESSURE TEMPERATURE RATING	ASME B16.34
END CONNECTION	ASME B16.11
JOINT STRENGTH	ASME B16.34
WALL THICKNESS	ASME B16.34
BASIC DESIGN	ASME B16.34

Drawn by : M Date : November 9, 2018 Scale : Not To Scale Rev : 0
 Checked by : M Date : November 9, 2018 Unit : Inch Sheet : xxx
 Approved by : M Date : November 9, 2018 Material : See Notes

Drawing Title: FLANGED FULL BORE BALL VALVE
 Drawing No.: DS-MPF30-SS-T-FFG-L-XXX

FLO TITE™
 4815 W. 5th Street Tel : 910-738-8904
 Lumberton, NC 28358 Fax : 910-738-9112
 Website: www.flotite.com E-mail : flotite@flotite.com