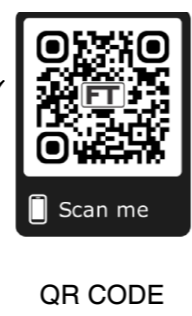
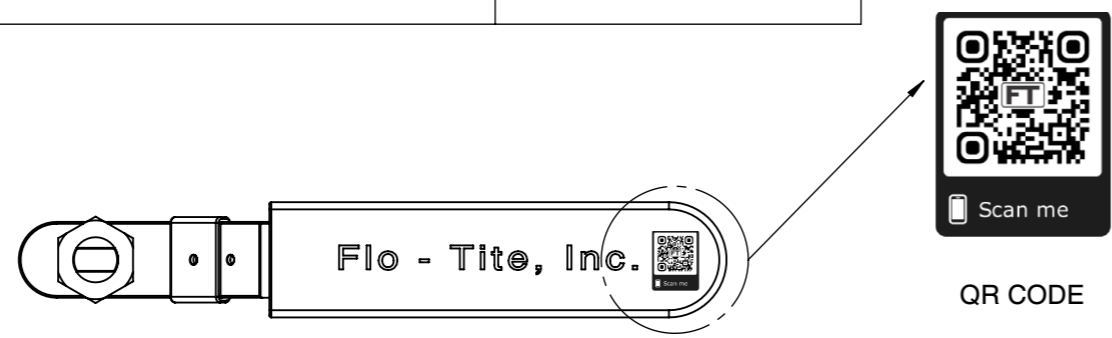
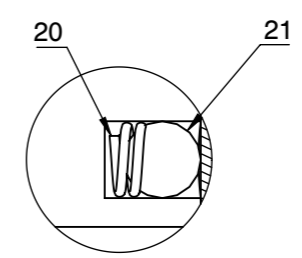
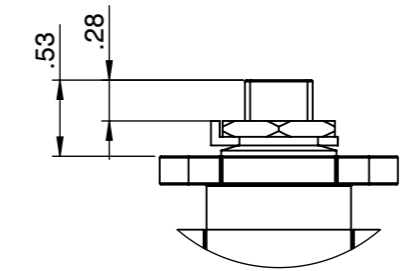
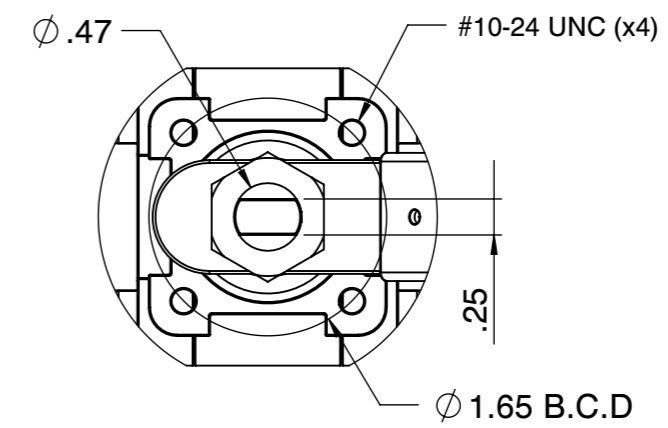


Tri-Pro Series 3000WOG 316SS TFM Seat
FIRE SAFE API 607-7 SIZE 3/8"

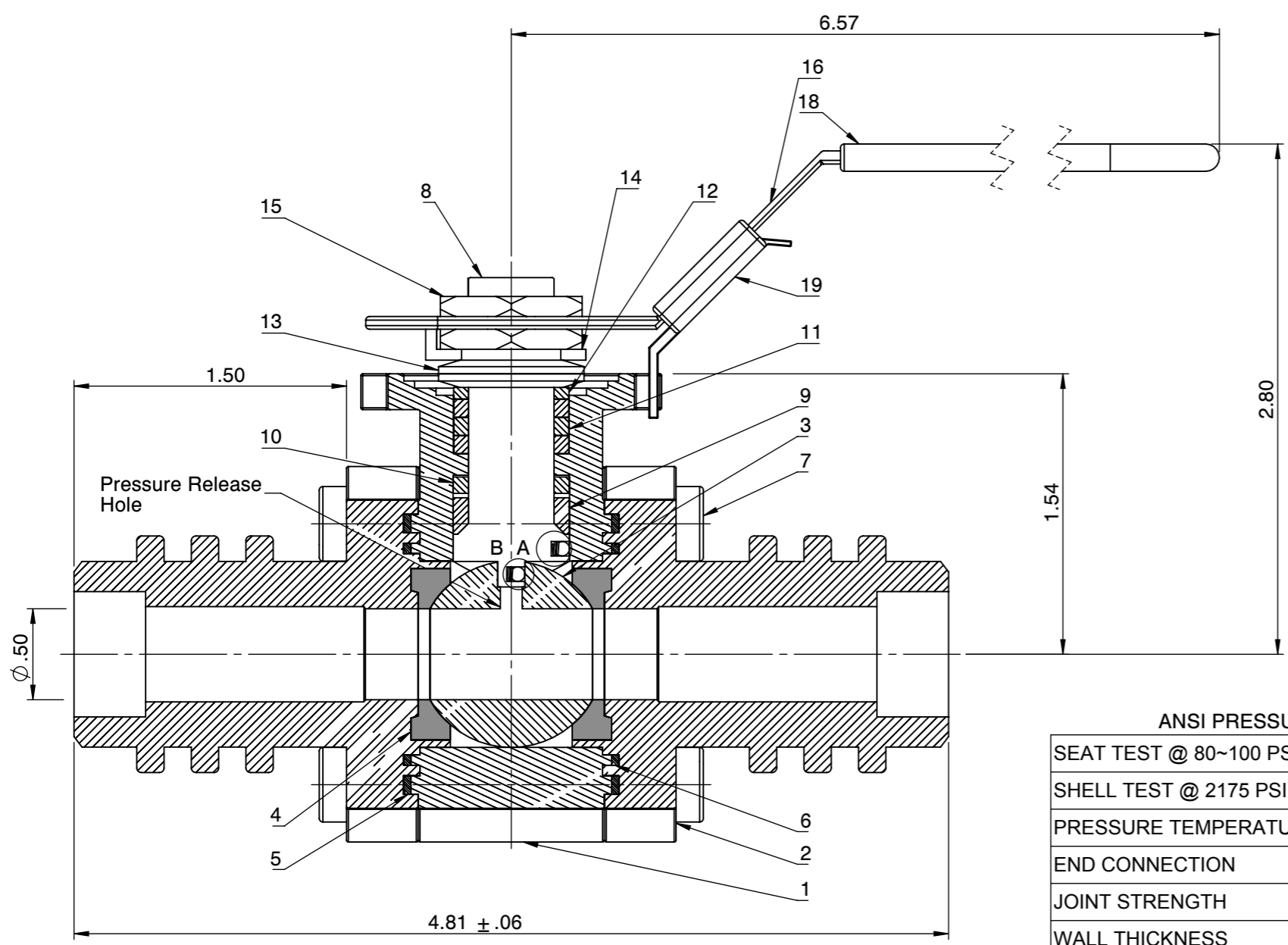
HPF52-SS-2-F-G-G-L-10



Actuator ISO Mounting Flange (F04)



DETAIL : A
 DETAIL : B



| NO | Name | Material |
|----|--------------------|--------------------------|
| 1 | Body | ASTM A351 CF8M |
| 2 | Cap | ASTM A351 CF8M |
| 3 | Ball | ASTM A351 CF8M |
| 4 | Seat | TFM |
| 5 | Gasket (Inner) | TFM |
| 6 | Gasket (Outer) | Graphite |
| 7 | Bolt | EN3506 A2-70/ A193 B8 |
| 8 | Stem | 17-4PH |
| 9 | Thrust Bearing | Carbon PTFE |
| 10 | Thrust Washer | 50%SS PTFE |
| 11 | Stem Packing | Graphite |
| 12 | Packing Follower | SS304 |
| 13 | Belleville Washer | SS301 |
| 14 | Tap Lock Washer | SS304 |
| 15 | Stem Nut | SS304 |
| 16 | Handle | SS304 |
| 17 | Stopper | SS304 |
| 18 | Plastic Cover | Plastic |
| 19 | Locking Device | SS304 |
| 20 | Anti-Static Spring | SS301 |
| 21 | Anti-Static Ball | SS316 |

| ANSI PRESSURE RATING CLASS 600/3000 WOG | |
|---|-------------|
| SEAT TEST @ 80~100 PSI | ASME B16.34 |
| SHELL TEST @ 2175 PSI | ASME B16.34 |
| PRESSURE TEMPERATURE RATING | ASME B16.34 |
| END CONNECTION | ASME B16.11 |
| JOINT STRENGTH | ASME B16.34 |
| WALL THICKNESS | ASME B16.34 |
| BASIC DESIGN | ASME B16.34 |

| | | | | |
|--|-----------------|-------------------------|----------------------|-------------|
| FOR CERTIFIED DRAWINGS CONSULT FACTORY | Drawn by : M | Date : November 9, 2018 | Scale : Not To Scale | Rev : 0 |
| | Checked by : M | Date : November 9, 2018 | Unit : Inch | Sheet : xxx |
| | Approved by : M | Date : November 9, 2018 | Material : See Notes | |

Drawing Title: SW 3/8" FULL BORE BALL VALVE
 Drawing No.: DT-HPF52SS2FGGL-10

FLO TITE™
 4815 W. 5th Street Lumberton, NC 28358 Website: www.flotite.com
 Tel : 910-738-8904 Fax : 910-738-9112 E-mail : flotite@flotite.com

REVIEW ALL STANDARD SOFT PARTS FOR APPLICATION COMPATIBILITY