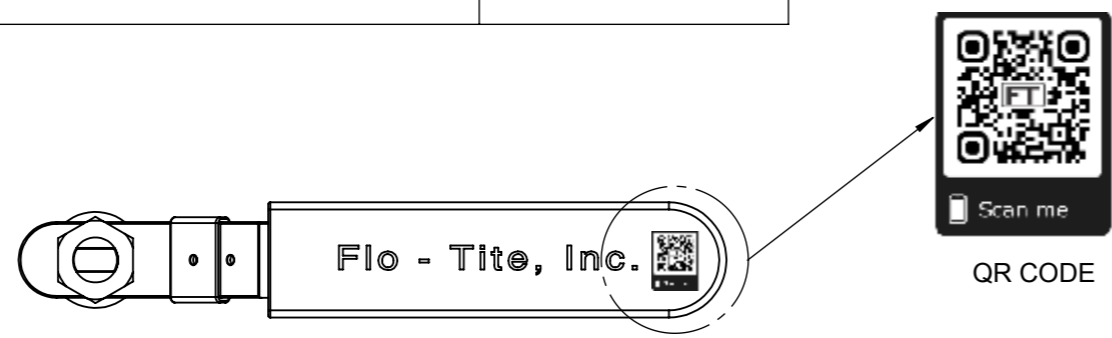
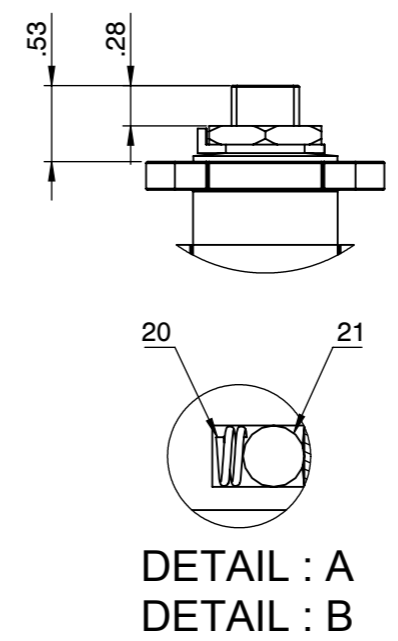
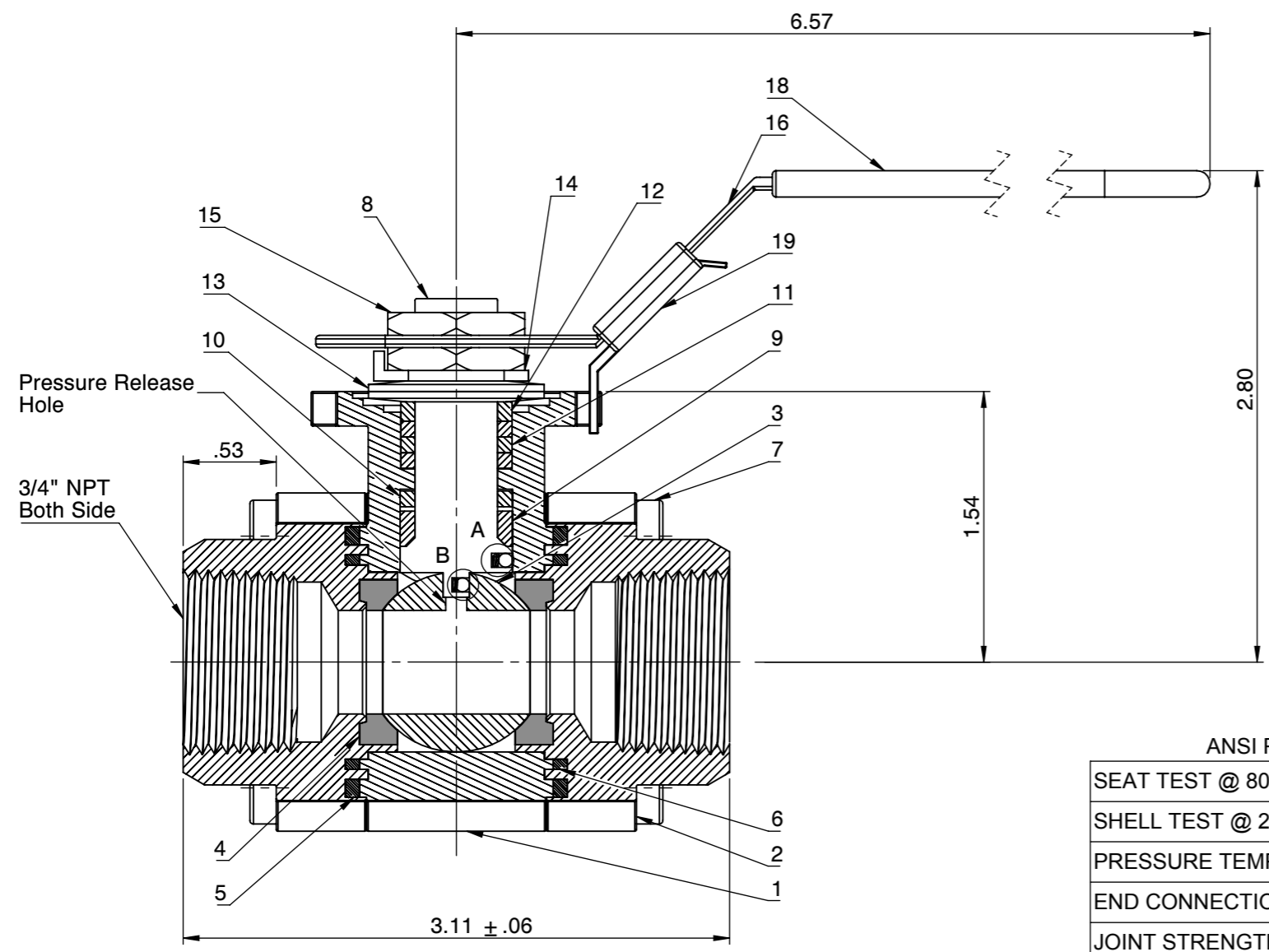
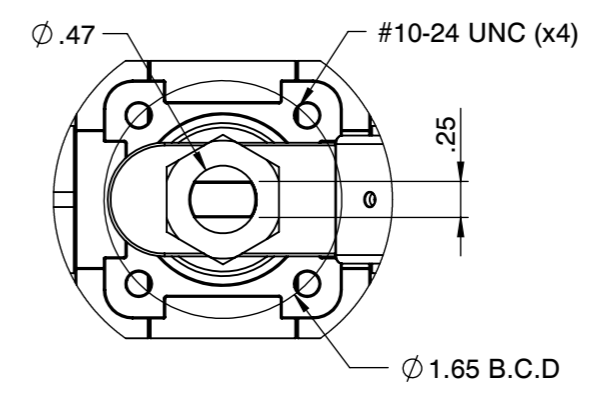


Tri-Pro Series | **3000WOG** | **WCB** | **TFM Seat**
FIRE SAFE API 607-7 | **SIZE 3/4"**

HPS41-CS-1-F-G-G-L-20



Actuator ISO Mounting Flange (F04)



NO	Name	Material
1	Body	ASTM A216 WCB
2	Cap	ASTM A216 WCB
3	Ball	ASTM A351 CF8
4	Seat	TFM
5	Gasket (Inner)	TFM
6	Gasket (Outer)	Graphite
7	Bolt	EN3506 A2-70/ A193 B8
8	Stem	17-4PH
9	Thrust Bearing	Carbon PTFE
10	Thrust Washer	50%SS PTFE
11	Stem Packing	TFM
12	Packing Follower	SS304
13	Belleville Washer	SS301
14	Tap Lock Washer	SS304
15	Stem Nut	SS304
16	Handle	SS304
17	Stopper	SS304
18	Plastic Cover	Plastic
19	Locking Device	SS304
20	Anti-Static Spring	SS301
21	Anti-Static Ball	SS316

ANSI PRESSURE RATING CLASS 600/3000 WOG	
SEAT TEST @ 80~100 PSI	ASME B16.34
SHELL TEST @ 2225 PSI	ASME B16.34
PRESSURE TEMPERATURE RATING	ASME B16.34
END CONNECTION	ASME B16.11
JOINT STRENGTH	ASME B16.34
WALL THICKNESS	ASME B16.34
BASIC DESIGN	ASME B16.34

FOR CERTIFIED DRAWINGS CONSULT FACTORY
 Drawn by : M | Date : November 9, 2018 | Scale : Not To Scale | Rev : 0
 Checked by : M | Date : November 9, 2018 | Unit : Inch | Sheet : xxx
 Approved by : M | Date : November 9, 2018 | Material : See Notes

Drawing Title: NPT 3/4" REDUCED BORE BALL VALVE
 Drawing No.: DT-HPS41CS1FGGL-20

FLO TITE™ 4815 W. 5th Street | Tel : 910-738-8904
 Lumberton, NC 28358 | Fax : 910-738-9112
 Website: www.flotite.com | E-mail : flotite@flotite.com

REVIEW ALL STANDARD SOFT PARTS FOR APPLICATION COMPATIBILITY