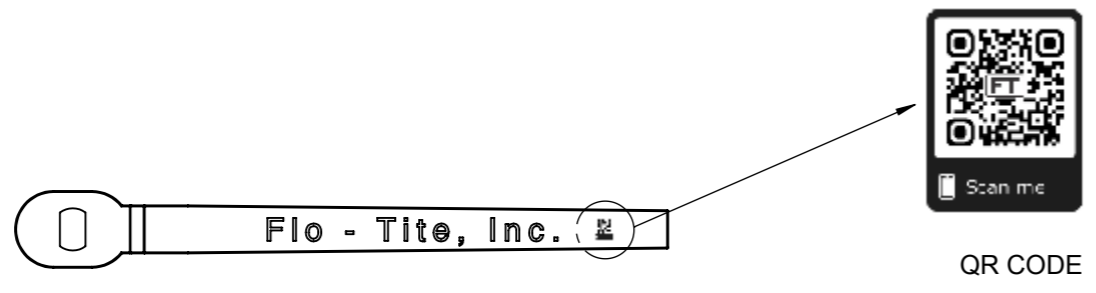


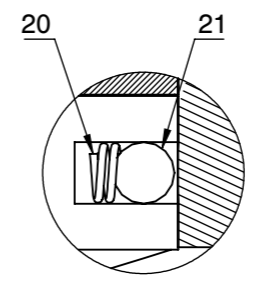
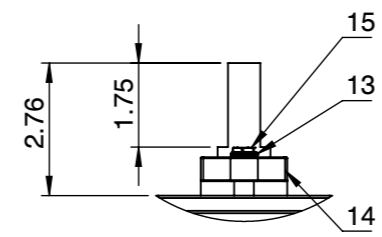
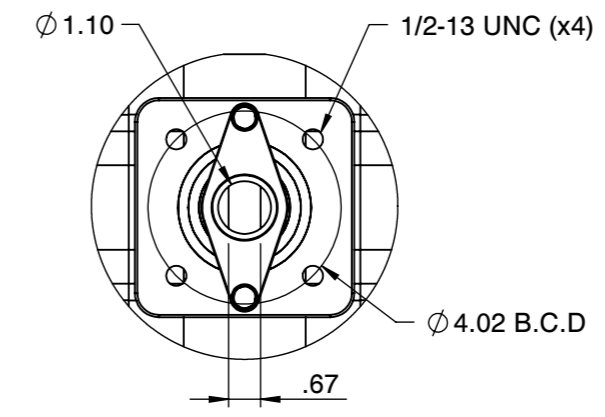
**Tri-Pro Series**   **2250WOG**   **316SS**   **TFM Seat**  
**NON FIRE SAFE**                      **SIZE 4"**

**HPS51-SS-1-F-F-F-L-100**

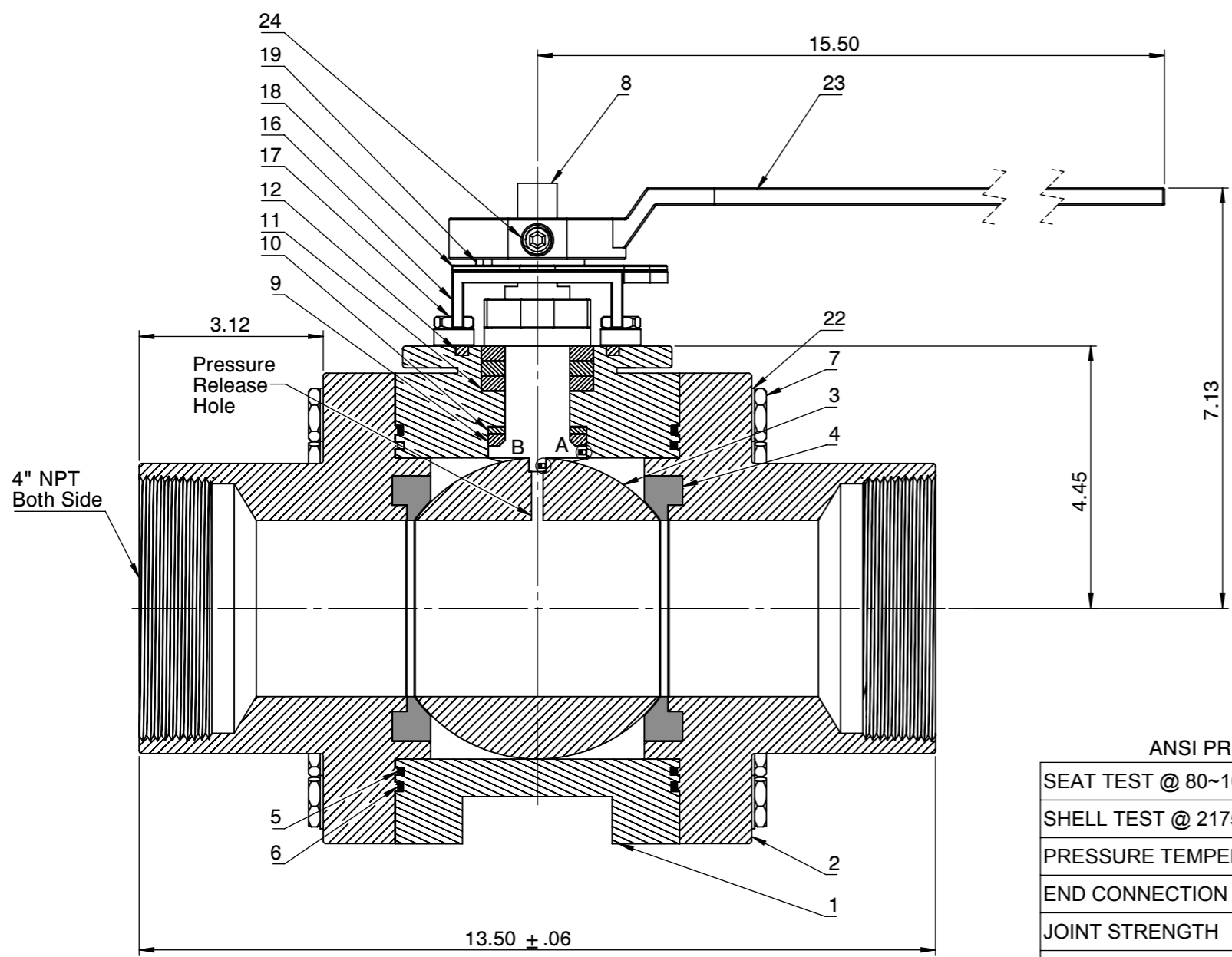
Actuator ISO Mounting Flange (F10)



QR CODE



DETAIL : A  
 DETAIL : B



NO	Name	Material
1	Body	ASTM A351 CF8M
2	Cap	ASTM A351 CF8M
3	Ball	ASTM A351 CF8M
4	Seat	TFM
5	Gasket (Inner)	TFM
6	Gasket (Outer)	TFM
7	Bolt	EN3506 A2-70/ A193 B8
8	Stem	17-4PH
9	O-Ring	Viton
10	Thrust Washer	50%SS PTFE
11	Stem Packing	Graphite
12	Packing Follower	SS304
13	Belleville Washer	SS301
14	Packing Gland	SS304
15	Gland Bolt	SS304
16	Stop Housing	SS304
17	Housing Bolt	SS304
18	Travel Stopper	SS304
19	Snap Ring	Nickel Plated C.S.
20	Anti-Static Spring	SS301
21	Anti-Static Ball	SS316
22	Spring Washer	SS304
23	Handle	Ductile Iron
24	Set Screw	SS304

ANSI PRESSURE RATING CLASS 600/2250 WOG	
SEAT TEST @ 80~100 PSI	ASME B16.34
SHELL TEST @ 2175 PSI	ASME B16.34
PRESSURE TEMPERATURE RATING	ASME B16.34
END CONNECTION	ASME B16.11
JOINT STRENGTH	ASME B16.34
WALL THICKNESS	ASME B16.34
BASIC DESIGN	ASME B16.34

FOR CERTIFIED DRAWINGS CONSULT FACTORY  
 Drawn by : M    Date : November 9, 2018    Scale : Not To Scale    Rev : 0  
 Checked by : M    Date : November 9, 2018    Unit : Inch    Sheet : xxx  
 Approved by : M    Date : November 9, 2018    Material : See Notes

Drawing Title: NPT 4" REDUCED BORE BALL VALVE  
 Drawing No.: DT-HPS51SS1FFFL-100

**FLO TITE™**    4815 W. 5th Street    Tel : 910-738-8904  
 Lumberton, NC 28358    Fax : 910-738-9112  
 Website: www.flotite.com    E-mail : flotite@flotite.com

REVIEW ALL STANDARD SOFT PARTS FOR APPLICATION COMPATIBILITY