

Trans-Flo Series

ANSI 150

316SS

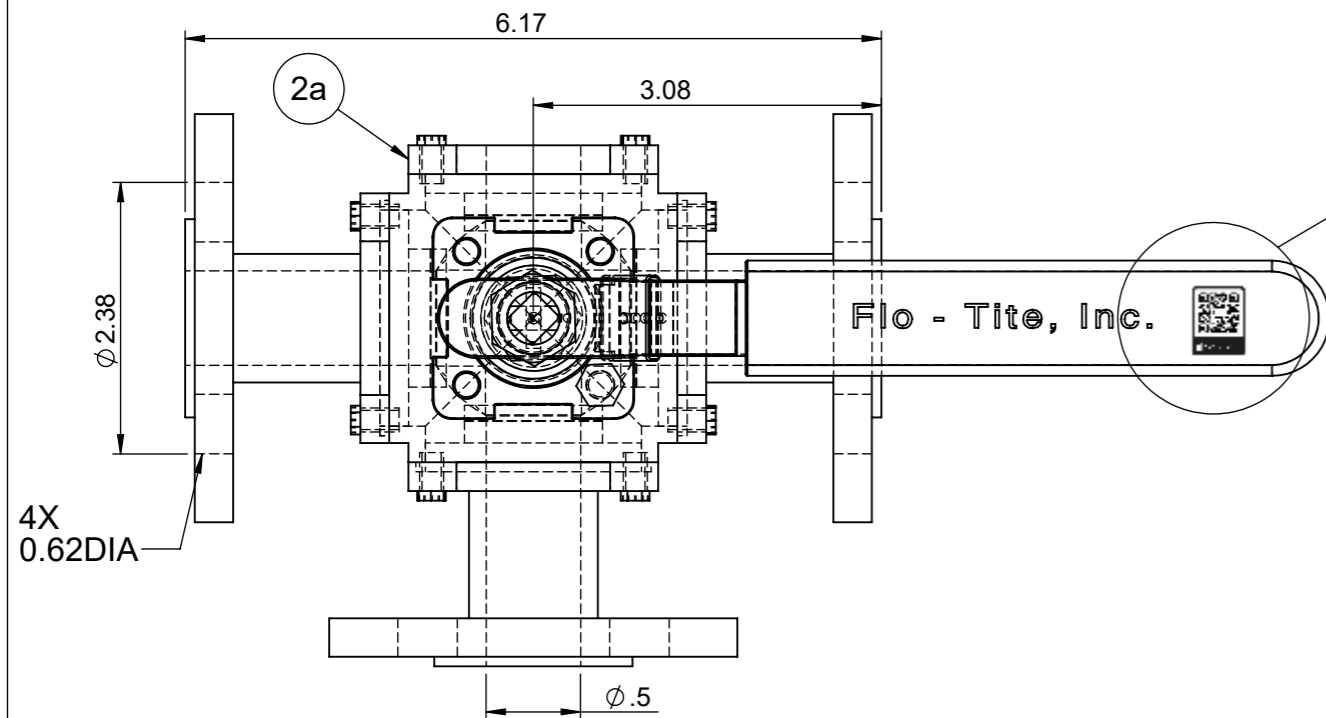
TFM Seat

FULL PORT

FLANGED END

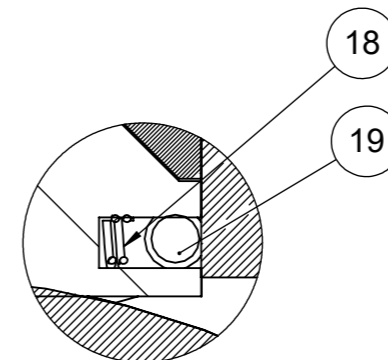
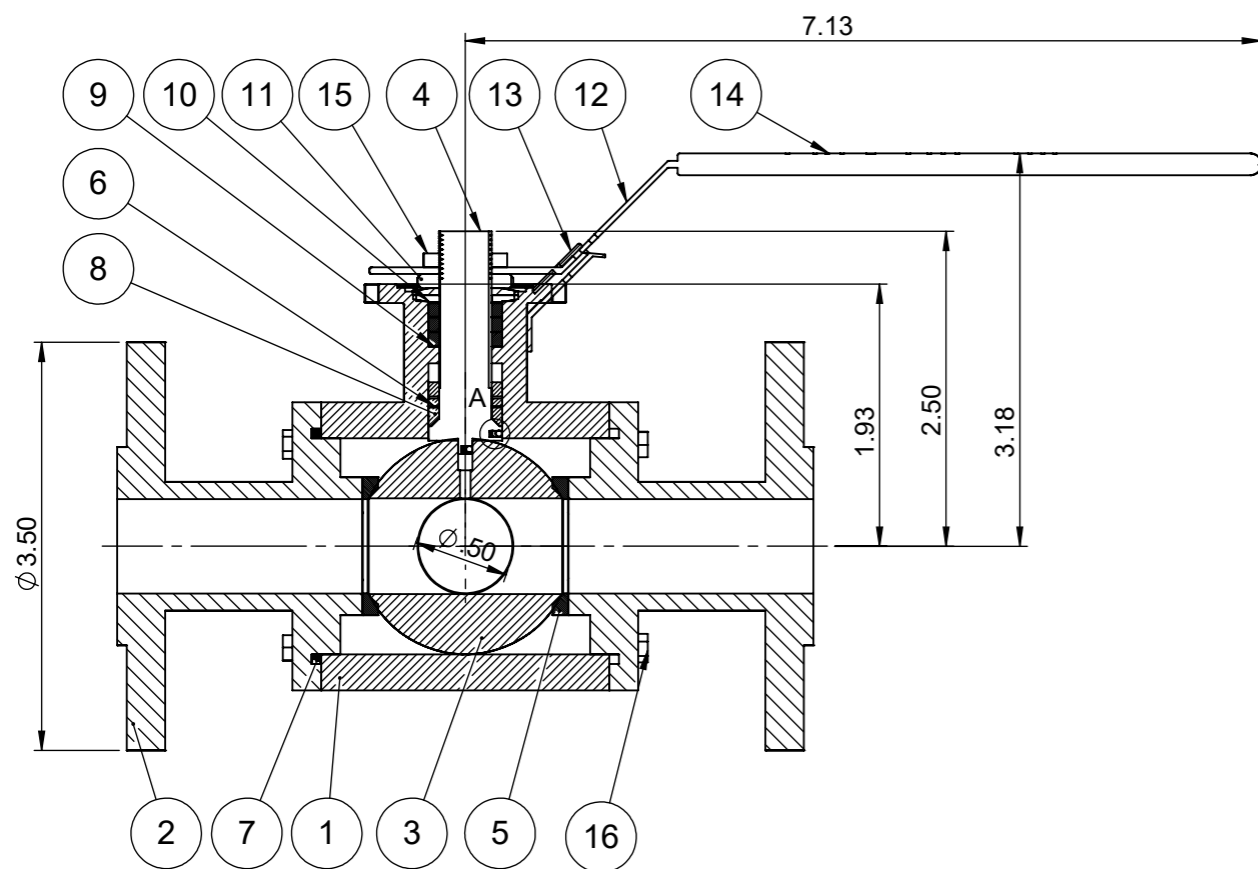
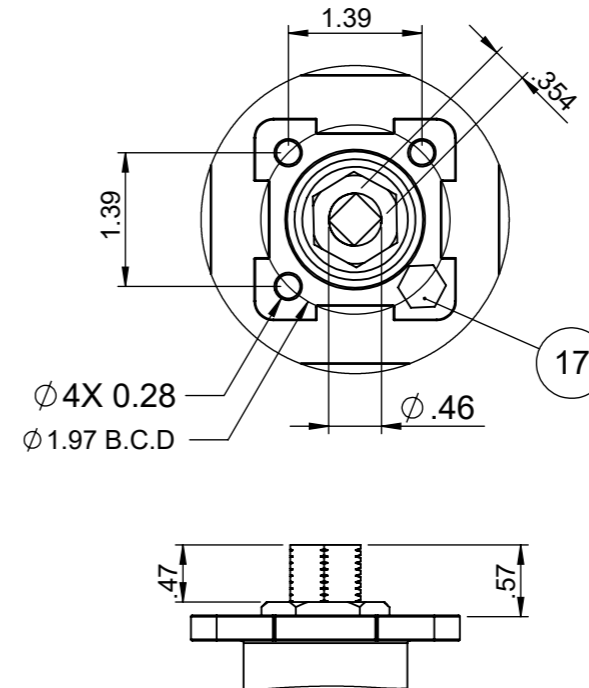
MPF15-SS-T-FFG-L-015

SIZE 1/2"



QR CODE

Actuator ISO Mounting Flange (F05)



DETAIL : A
DETAIL : B

NO	Name	Material	Qty
1	Body	ASTM A351 CF8M	1
2	End Caps	ASTM A351 CF8M	3
2a	Back Cover	ASTM A351 CF8M	1
3	Ball	SS316	1
4	Stem	SS316	1
5	Seats	TFM	4
6	Stem Packing	TFM/Graphite *	1
7	Body Gaskets	50/50/Graphite *	4
8	Thrust Washer	50/50	1
9	Packing Follower	SS304	1
10	Belleville Washer	SS304	2
11	Stem Nut	SS304	1
12	Handle	SS304	1
13	Handle Lock	SS304	1
14	Handle Sleeve	Plastic	1
15	Handle Nut	SS304	1
16	Body Bolts	ASTM A193 B8	16
17	Handle Stop Bolt	SS304	1
18	Anti-Static Springs	SS316	2
19	Anti-Static Balls	SS316	2

ANSI CLASS 150

ANSI / FCI LEAKGE CLASS	SHUT-OFF CLASS V/VI
SHELL TEST @ 425 PSI	ASME B16.34
PRESSURE TEMPERATURE RATING	ASME B16.34
END CONNECTION	ASME B16.11
JOINT STRENGTH	ASME B16.34
WALL THICKNESS	ASME B16.34
BASIC DESIGN	ASME B16.34

Part ID	Drawn by : M	Date : November 9, 2018	Scale : Not To Scale	Rev : 0	Drawing Title: FLANGED 1/2" FULL BORE BALL VALVE		4815 W. 5th Street Lumberton, NC 28358 Website: www.flotite.com	Tel : 910-738-8904 Fax : 910-738-9112 E-mail : flotite@flotite.com	
MPF15SSSTFFGL015	Checked by : M	Date : November 9, 2018	Unit : Inch	Sheet : xxx					Drawing No.: DT-MPF15-SS-T-FFG-L-015
	Approved by : M	Date : November 9, 2018	Material : See Notes						

REVIEW ALL STANDARD SOFT PARTS FOR APPLICATION COMPATIBILITY

* Optional Items