

**Trans-Flo Series**

**ANSI 150**

**316SS**

**TFM Seat**

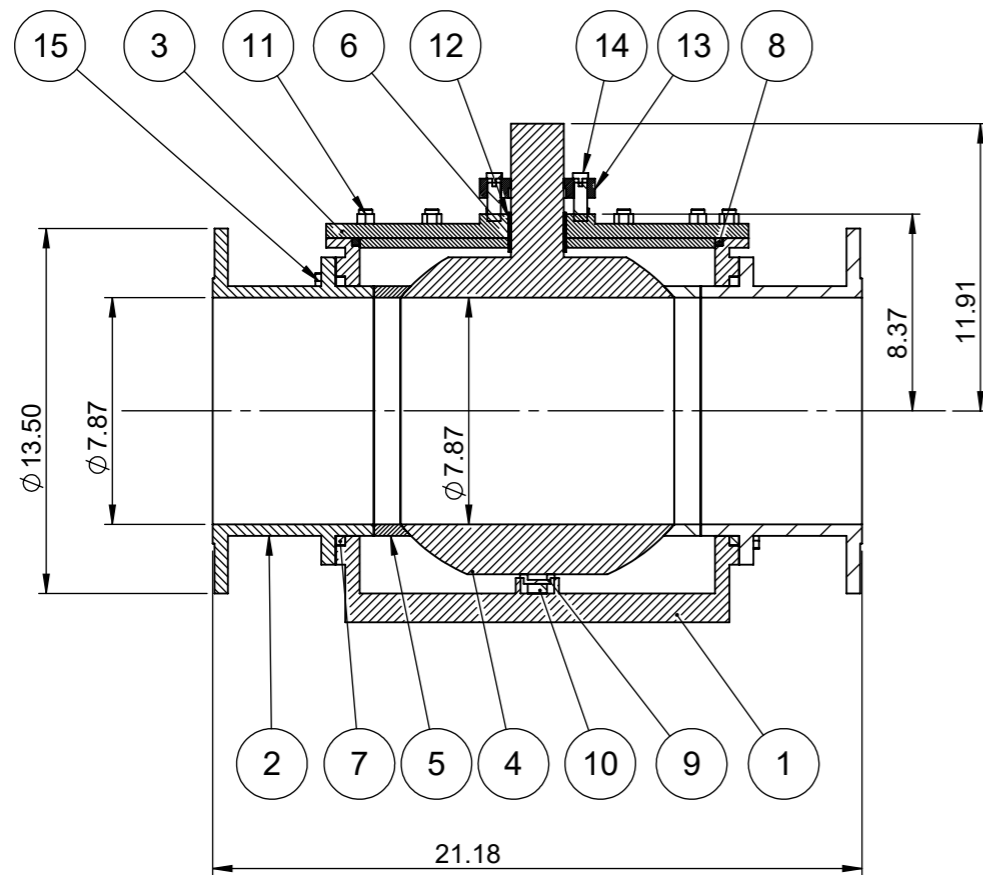
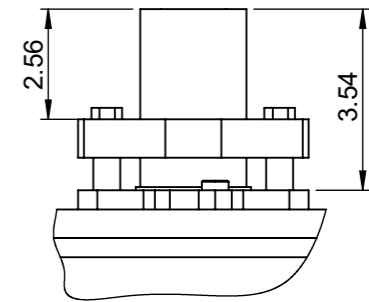
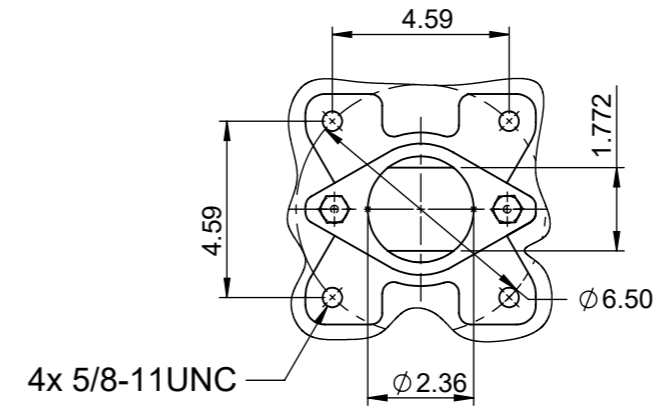
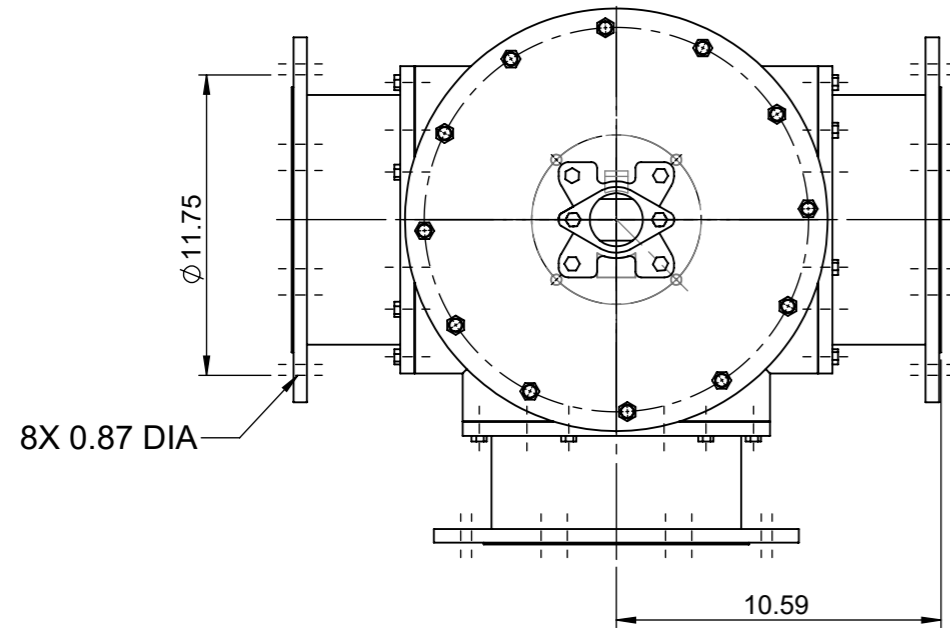
**FULL PORT**

**FLANGED END**

**MPF15-SS-T-FFG-L-200**

**SIZE 8"**

Actuator ISO Mounting Flange (F16)



ANSI CLASS 150

|                             |                     |
|-----------------------------|---------------------|
| ANSI / FCI LEAKGE CLASS     | SHUT-OFF CLASS V/VI |
| SHELL TEST @ 425 PSI        | ASME B16.34         |
| PRESSURE TEMPERATURE RATING | ASME B16.34         |
| END CONNECTION              | ASME B16.11         |
| JOINT STRENGTH              | ASME B16.34         |
| WALL THICKNESS              | ASME B16.34         |
| BASIC DESIGN                | ASME B16.34         |

| NO | Name                | Material         | Qty |
|----|---------------------|------------------|-----|
| 1  | Body                | ASTM A351 CF8M   | 1   |
| 2  | End Caps            | ASTM A351 CF8M   | 3   |
| 3  | Bonnet              | ASTM A351 CF8M   | 1   |
| 4  | Ball & Stem         | ASTM A351 CF8M   | 1   |
| 5  | Seats               | TFM              | 3   |
| 6  | Stem Packing        | TFM/Graphite *   | 1   |
| 7  | Body Gaskets        | 50/50/Graphite * | 3   |
| 8  | Bonnet Gasket       | 50/50/Graphite * | 1   |
| 9  | Thrust Bearing      | 50/50/PEEK *     | 1   |
| 10 | Anti-Static Springs | SS304            | 1   |
| 11 | Bonnet Bolts        | ASTM A193 B8     | set |
| 12 | Packing Follower    | SS304            | 1   |
| 13 | Packing Gland       | ASTM A351 CF8    | 1   |
| 14 | Gland Bolts         | SS304            | 2   |
| 15 | Body Bolts          | ASTM A193 B8     | set |

|         |                 |               |   |        |                  |            |              |         |     |
|---------|-----------------|---------------|---|--------|------------------|------------|--------------|---------|-----|
| Part ID | MPF15SSTFFGL200 | Drawn by :    | M | Date : | November 9, 2018 | Scale :    | Not To Scale | Rev :   | 0   |
|         |                 | Checked by :  | M | Date : | November 9, 2018 | Unit :     | Inch         | Sheet : | xxx |
|         |                 | Approved by : | M | Date : | November 9, 2018 | Material : | See Notes    |         |     |

|                |                                 |
|----------------|---------------------------------|
| Drawing Title: | FLANGED 8" FULL BORE BALL VALVE |
| Drawing No.:   | DT-MPF15-SS-T-FFG-L-200         |



4815 W. 5th Street  
Lumberton, NC 28358  
Website: www.flotite.com  
Tel : 910-738-8904  
Fax : 910-738-9112  
E-mail : flotite@flotite.com