

Trans-Flo Series

ANSI 300

316SS

TFM Seat

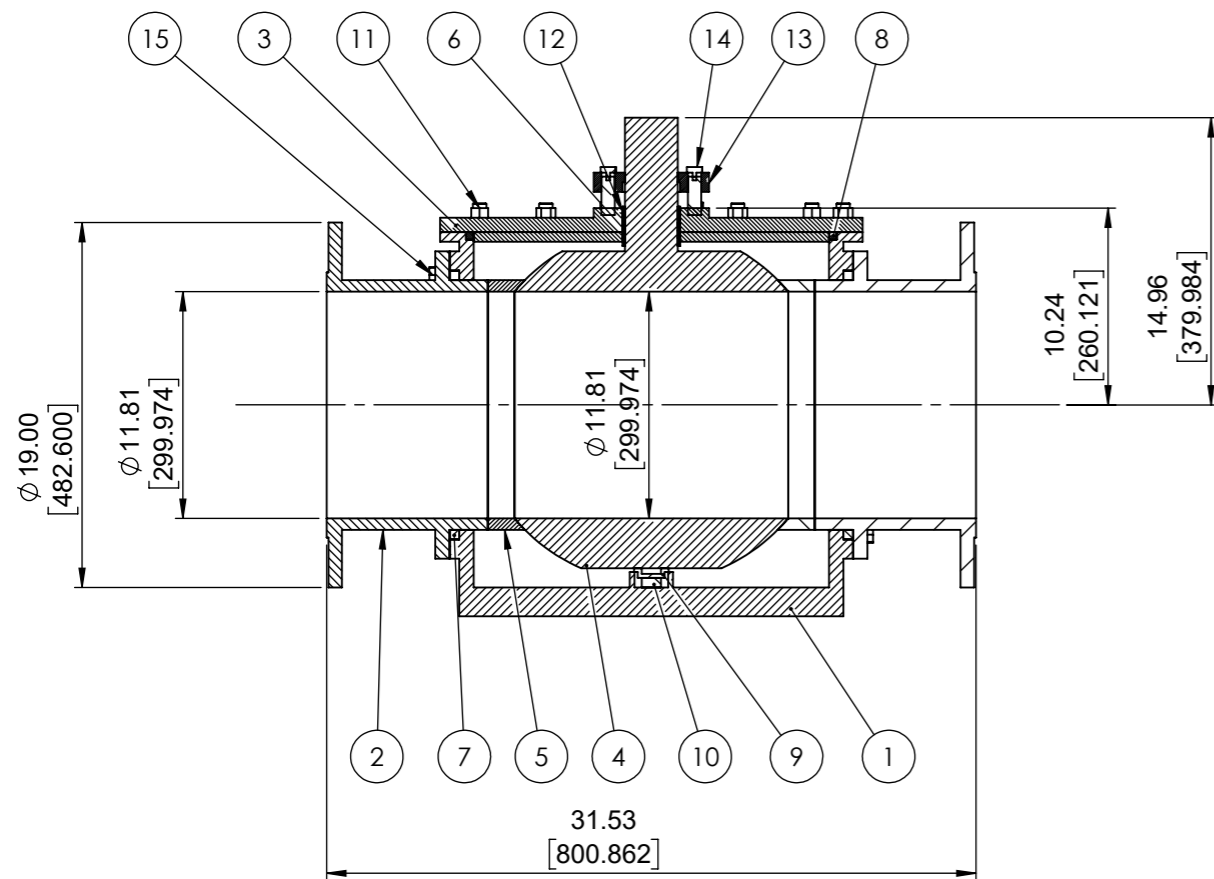
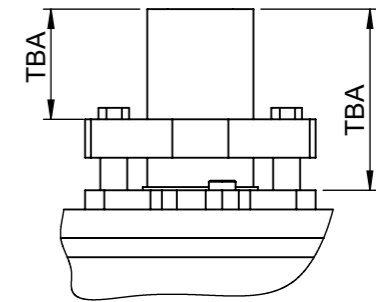
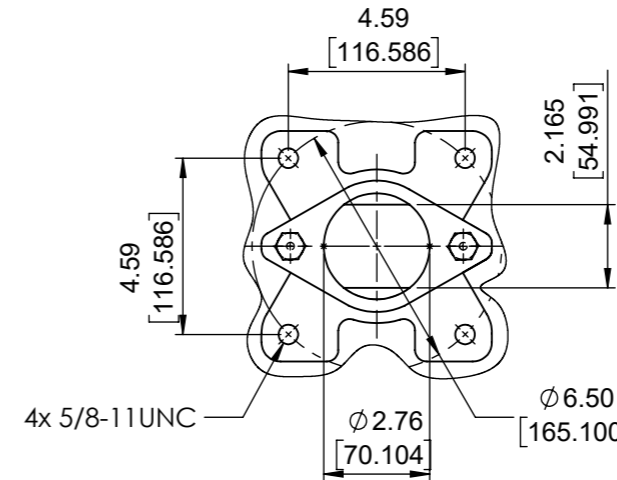
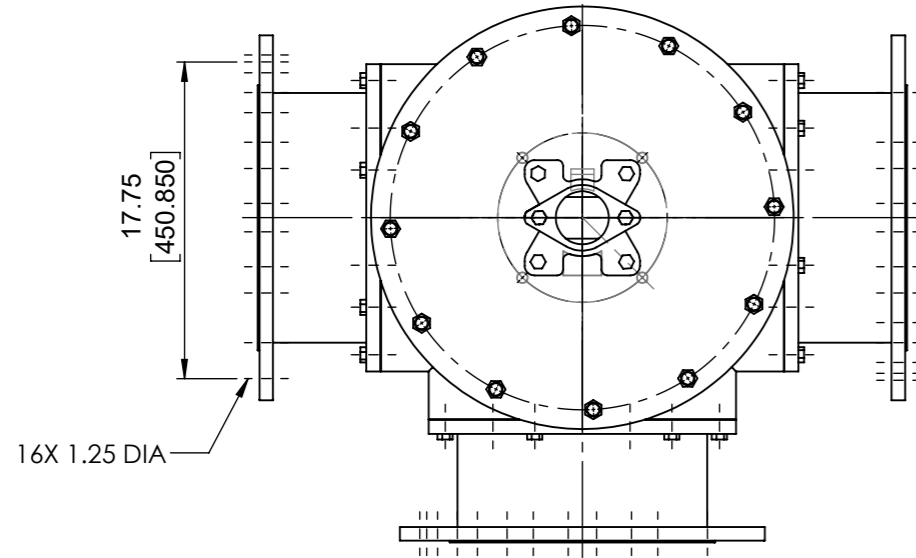
FULL PORT

FLANGED END

MPF30-SS-T-FFG-L-300

SIZE 12"

Actuator ISO Mounting Flange (F16)



NOTE: FOR ALL THE FLOW PLANS, PLEASE CONSULT CATALOG 90 - 22 PAGE #15

NO	Name	Material	Qty
1	Body	ASTM A351 CF8M	1
2	End Caps	ASTM A351 CF8M	3
3	Bonnet	ASTM A351 CF8M	1
4	Ball & Stem	ASTM A351 CF8M	1
5	Seats	TFM	3
6	Stem Packing	TFM/Graphite *	1
7	Body Gaskets	50/50/Graphite *	3
8	Bonnet Gasket	50/50/Graphite *	1
9	Thrust Bearing	50/50/PEEK *	1
10	Anti-Static Springs	SS304	1
11	Bonnet Bolts	ASTM A193 B8	set
12	Packing Follower	SS304	1
13	Packing Gland	ASTM A351 CF8	1
14	Gland Bolts	SS304	2
15	Body Bolts	ASTM A193 B8	set

ANSI CLASS 300

ANSI / FCI LEAKGE CLASS	SHUT-OFF CLASS V/VI
SHELL TEST @ 1125 PSI	ASME B16.34
PRESSURE TEMPERATURE RATING	ASME B16.34
END CONNECTION	ASME B16.11
JOINT STRENGTH	ASME B16.34
WALL THICKNESS	ASME B16.34
BASIC DESIGN	ASME B16.34

Part ID	Drawn by : M	Date : November 9, 2018	Scale : Not To Scale	Rev : 0
MPF30SSTFFGL300	Checked by : M	Date : November 9, 2018	Unit : Inch	Sheet : xxx
	Approved by : M	Date : November 9, 2018	Material : See Notes	

Drawing Title: **FLANGED 12" FULL BORE BALL VALVE**
 Drawing No.: **DT-MPF30-SS-T-FFG-L-300**



4815 W. 5th Street Tel : 910-738-8904
 Lumberton, NC 28358 Fax : 910-738-9112
 Website: www.flotite.com E-mail : flotite@flotite.com