

Trans-Flo Series

ANSI 300

316SS

TFM Seat

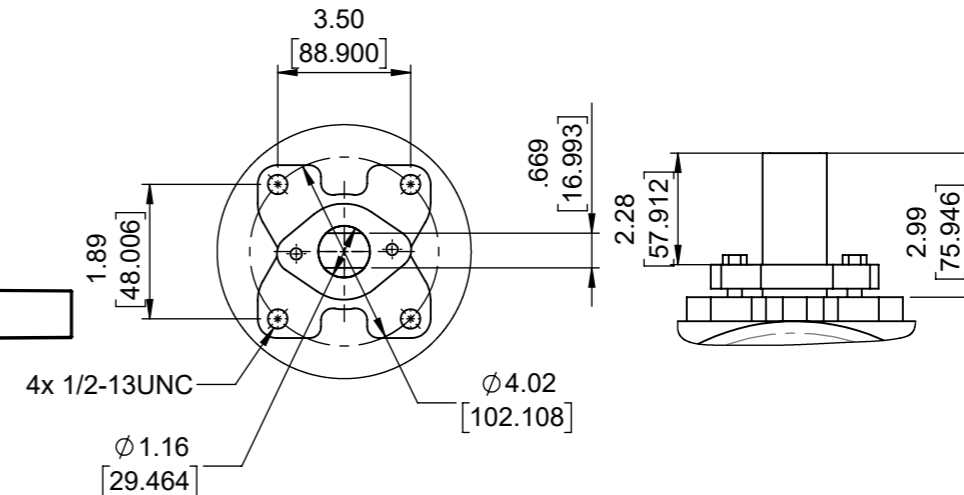
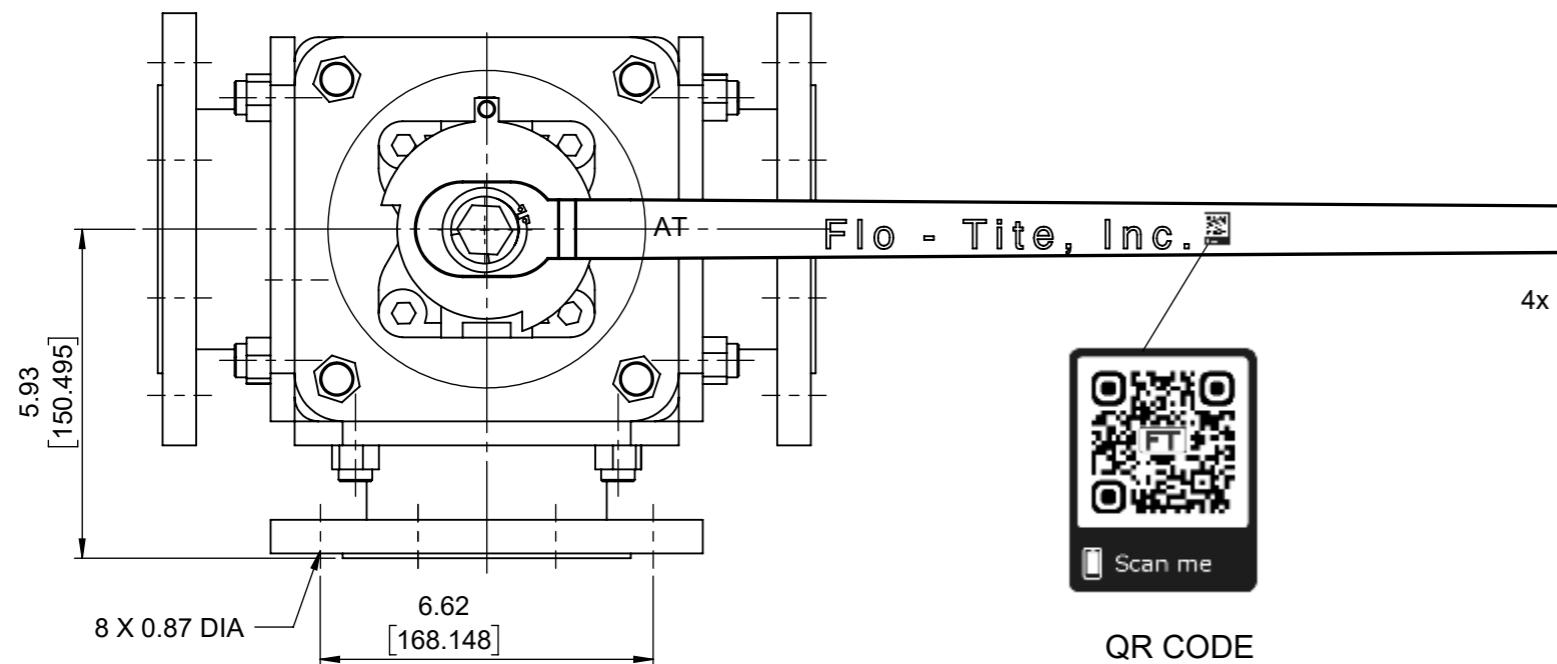
FULL PORT

FLANGED END

MPF30-SS-T-F-F-G-L-075

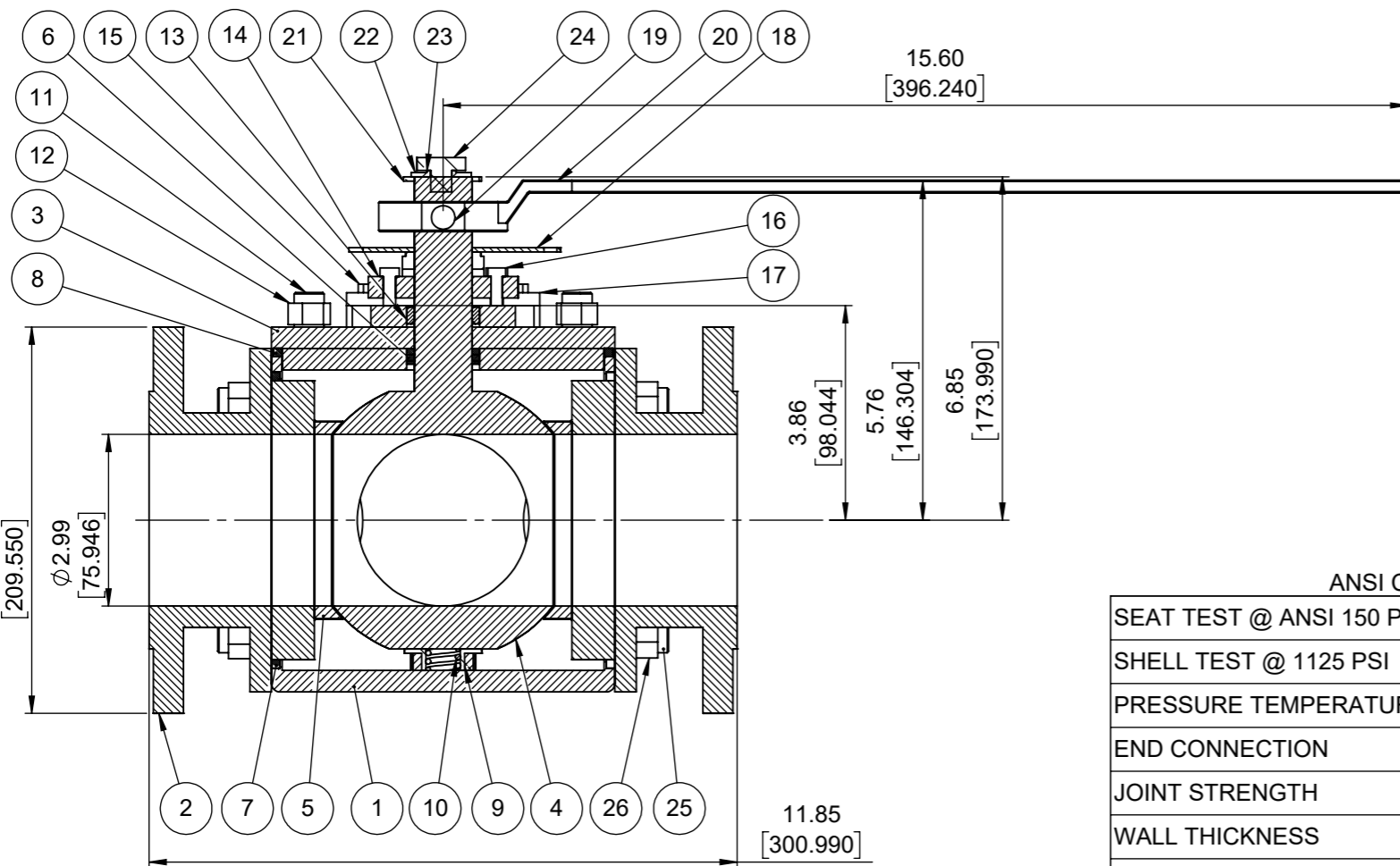
SIZE 3"

Actuator ISO Mounting Flange (F10)



NOTE: FOR ALL THE FLOW PLANS, PLEASE CONSULT CATALOG 90 - 22 PAGE #15

| NO | Name | Material | Qty |
|----|---------------------|------------------|-----|
| 1 | Body | ASTM A351 CF8M | 1 |
| 2 | End Caps | ASTM A351 CF8M | 3 |
| 3 | Bonnet | ASTM A351 CF8M | 1 |
| 4 | Ball & Stem | ASTM A351 CF8M | 1 |
| 5 | Seats | TFM | 3 |
| 6 | Stem Packing | TFM/Graphite * | 1 |
| 7 | Body Gaskets | 50/50/Graphite * | 3 |
| 8 | Bonnet Gasket | 50/50/Graphite * | 1 |
| 9 | Thrust Bearing | 50/50/PEEK * | 1 |
| 10 | Anti-Static Springs | SS304 | 1 |
| 11 | Bonnet Bolts | ASTM A193 B8 | set |
| 12 | Bonnet Nuts | ASTM A194 Gr. 8 | set |
| 13 | Packing Follower | SS304 | 1 |
| 14 | Packing Gland | ASTM A351 CF8 | 1 |
| 15 | Gland Bolts | SS304 | 2 |
| 16 | Housing Bolts | SS304 | 4 |
| 17 | Stop Housing | ASTM A351 CF8 | 1 |
| 18 | Travel Stop | SS304 | 1 |
| 19 | Handle Screw | SS304 | 1 |
| 20 | Handle | Ductile Iron | 1 |
| 21 | Snap Ring | Plated Steel | 1 |
| 22 | Port Sign | SS304 | 1 |
| 23 | Plain Washer | SS304 | 1 |
| 24 | Sign Screw | SS304 | 1 |
| 25 | Body Studs | ASTM A193 B8 | set |
| 26 | Body Nuts | ASTM A194 Gr. 8 | set |



ANSI CLASS 300

| | |
|-----------------------------|-------------|
| SEAT TEST @ ANSI 150 PSI | ASME B16.34 |
| SHELL TEST @ 1125 PSI | ASME B16.34 |
| PRESSURE TEMPERATURE RATING | ASME B16.34 |
| END CONNECTION | ASME B16.25 |
| JOINT STRENGTH | ASME B16.34 |
| WALL THICKNESS | ASME B16.34 |
| BASIC DESIGN | ASME B16.34 |

| | | | | | | | | |
|-----------------|-----------------|-------------------------|----------------------|-------------|--|--|---|--|
| Part ID | Drawn by : M | Date : November 9, 2018 | Scale : Not To Scale | Rev : 0 | Drawing Title: BW 3"FULL BORE BALL VALVE | | 4815 W. 5th Street Lumberton, NC 28358 Website: www.flotite.com | Tel : 910-738-8904 Fax : 910-738-9112 E-mail : flotite@flotite.com |
| MPF30SSTFFGL075 | Checked by : M | Date : November 9, 2018 | Unit : Inch | Sheet : xxx | Drawing No.: DT-MPF30-SS-T-FFG-L-075 | | | |
| | Approved by : M | Date : November 9, 2018 | Material : See Notes | | | | | |

REVIEW ALL STANDARD SOFT PARTS FOR APPLICATION COMPATIBILITY

* Optional Items