



# Ball Valve with Spring Return (Deadman) Handle

## SR75 Series Ball Valves with Spring Return Handle



**Models:**  
**SR75-SS**

**Size Range**  
**1/2"-2"**

**Pressure Rating:**  
**1000 MAWP/WOG**



Spring Return Handles  
STANDARD PRODUCT NUMBER

**SRH-05**

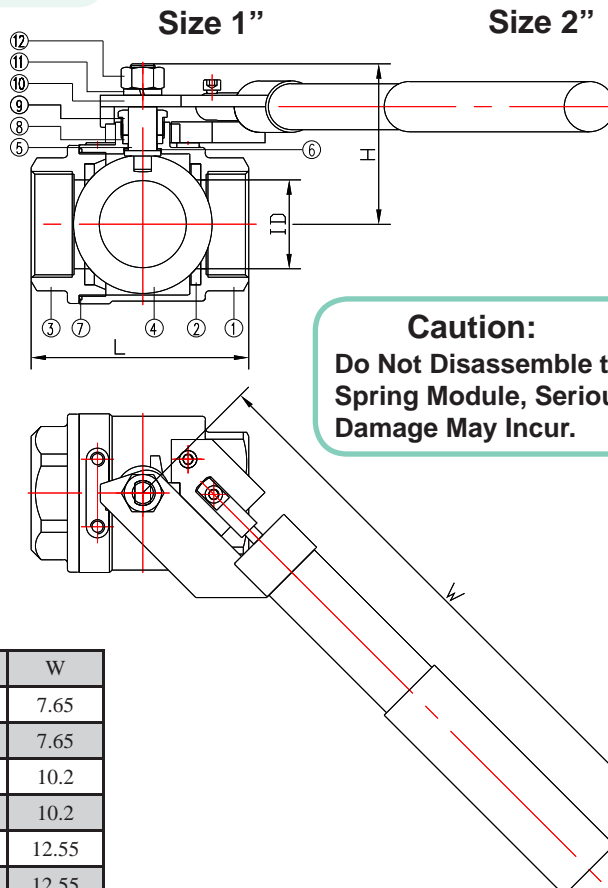
**SRH-07**

\*C/F for sizing\*

### Dimensions & Materials

#### Bill of Materials:

No.	Part Name	Material
1	Body	CF8M
2	Seat	PTFE
3	Bonnet	CF8M
4	Ball	SS316
5	Stem	SS316
6	Gasket	PTFE
7	Seal Ring	PTFE
8	Packing	PTFE
9	Packing Gland	SS304
10	Reset Device	SS304
11	Spring washer	SS304
12	Hex Nut	SS304



**Caution:**  
Do Not Disassemble the Spring Module, Serious Damage May Incur.

#### Valve Testing

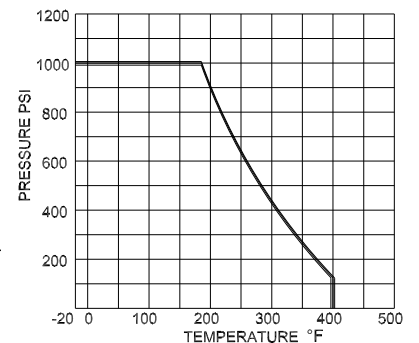
All valves are factory tested as listed below in open and closed position for bubble tight integrity  
Seat: air under water at 80 PSI (MSS-SP-72)

**MAWP/WOG is a do-not exceed pressure at normal ambient NPT & Weld End Models**

#### Dimension:

SIZE	ID	L	H	W
1/2"	0.59	2.39	1.96	7.65
3/4"	0.78	2.82	2.16	7.65
1"	0.98	3.33	2.47	10.2
1 1/4"	1.25	3.92	2.75	10.2
1 1/2"	1.49	4.20	3.14	12.55
2"	1.96	4.82	3.33	12.55

#### Pressure Temperature Rating





# Spring Return (Deadman) Handle

## SRH Series Spring Return Handle For Quarter Turn Valves

Spring Return Handle provides unassisted opening or closing of manually operated quarter turn valves in industrial process applications. The spring return handle, driven by a powerful, completely enclosed torsion spring, automatically returns the valve to the desired fully-open or fully-closed position when released. Automatic valve repositioning could be ideal as a safety feature in manual emergency conditions. It is ruggedly constructed to meet the demanding requirements of rapid and repetitive operations. Unless specified otherwise, valve/handle assemblies will be furnished for spring-to-close operation.

Spring return handle will help you meet OSHA requirements or plant specification when a valve must return to the closed or open position automatically after operation.

SRH handles are available on valves with ISO 5211 mounting sizes 1/4" through 2"



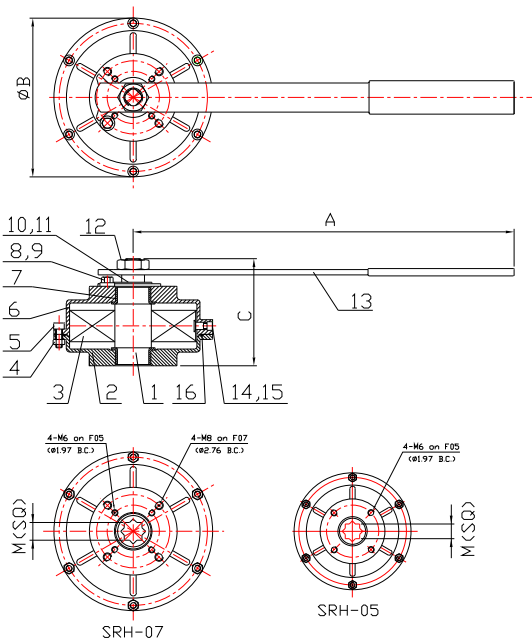
SRH Model Design Adapts to Many Different Valve Types

Large Sizes Optional

**Models:**

- SRH-05 - 180 in-lb Max. Torque
- SRH-07 - 440 in-lb Max. Torque

### Dimensions & Torques



### Bill of Materials:

No.	Description	Material
1	Stem	CS+Zn Plated
2	Body	WCB+Zn Plated
3	Spring	Spring Steel
4	Nut	SS304
5	Cap Screw	SS304
6	Cap	WCB+Zn Plated
7	Bearing	CS+PTFE
8	Stop Bolt	SS304
9	Stopper	SS304
10	Travel Stop	SS304
11	Lock Washer	SS304
12	Stem Nut	SS304
13	Lever	SS304+Vinyl
14	Nut	SS304
15	Spring Locker	CS+Zn Plated
16	O-Ring	NBR

### Design Feature:

- Positive quick acting operation for ball, plug, or butterfly valve
- Strong, durable torsion spring mechanism
- Rugged metal construction
- Enclosed clock-type 90 degree spring
- Weatherproof sealed spring housing
- Corrosion resistant zinc plated steel body
- Reliable low stress range springs are available in clockwise or counter-clockwise action
- Valve can not be left in wrong position

**Caution:**  
Do Not Disassemble the Spring Module, Serious Damage May Incur.

Model #	A	B	C	M	Max. Torque	Est. Weight
SRH-05	9.30	4.33	3.11	0.551	180 in-lb	4 lbs
SRH-07	14.4	5.98	4.04	0.669	440 in-lb	8 lbs

### Options:

The output torque is adjustable, consult factory for details.  
Male output shaft is also available.



Flo-Tite, Inc.  
4815 West 5th St.  
Lumberton, NC 28358

P. O. Box 1293  
Lumberton, NC 28359  
Website: www.flotite.com

Tel: (910) 738-8904  
Fax: (910) 738-9112  
E-mail: flotite@flotite.com