



ONE PIECE REDUCED PORT THREADED END BALL VALVE

ECONOFLO-SERIES

Economy Type Series

STANDARD PRODUCT NUMBER

T45-SS-TTT-L

T45-SS-TTT-B

Pressure Rating:
1000 MAWP/WOG

Size Range:
1/4" - 2"

Temperature Rating:
75°F-450°F



Model:
T45-SS

DESIGN FEATURES

- Economical Compact Design
- Ideal for gauge or drain applications
- Rugged one piece body to minimize the number of potential leak paths through the body joint.
- Blow-out Proof Stem
Stem is bottom loaded to prevent removal during operation.
- Corrosion Resistant
All 316 SS for Superior Chemical Resistance
- Investment Cast Improves dimensional control and reduces porosity.

- Safety-Locking handle
Optional
- Adjustable Stem Packing
- Low-Operating Torque

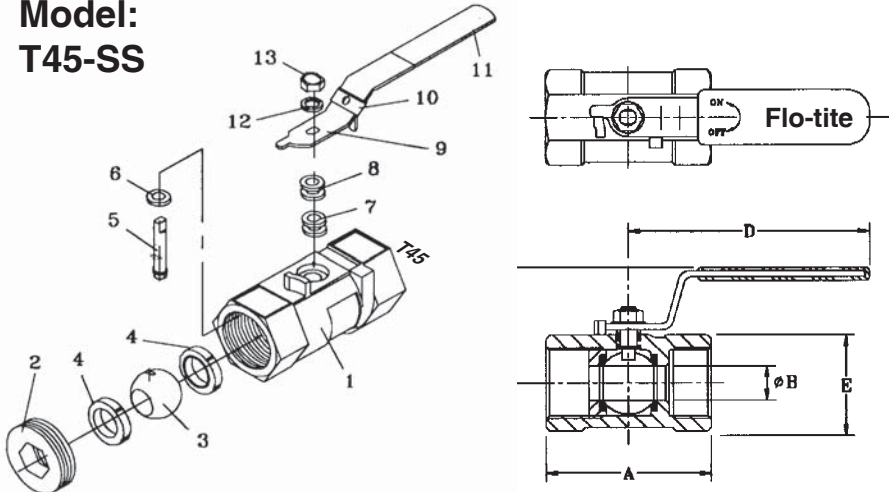
- **OPTIONS** •
- Carbon Steel Body
- Reverse-Acting Handle
- Butterfly Handle
- Oval Handle

Designed for the economical OEM & Industrial Markets

www.flotite.com

DESIGN & TECHNICAL DATA

**Model:
T45-SS**



VALVE COMPONENTS

BILL OF MATERIALS:

NO	PART NAME	MATERIAL	Qty
1	Body	ASTM A351 CF8M	1
2	Seat Retainer	ASTM A351 CF8M	1
3	Ball	ASTM A276 Type 316	1
4	Seats #	PTFE	2
5	STEM	ASTM A278 Type 316	1
6	Thrust Washer #	RPTFE	1
7	Stem Packing #	PTFE	1
8	Gland Washer	ASTM A492 Type 304	1
9	Handle	ASTM A167 Type 304	1
10	Locking Device	ASTM A167 Type 304	1
11	Handle Sleeve	VINYL PLASTISOL	1
12	Spring Washer	ASTM A492 Type 304	1
13	Nut	SS304	1

Parts included in repair kits
Also available in WCB

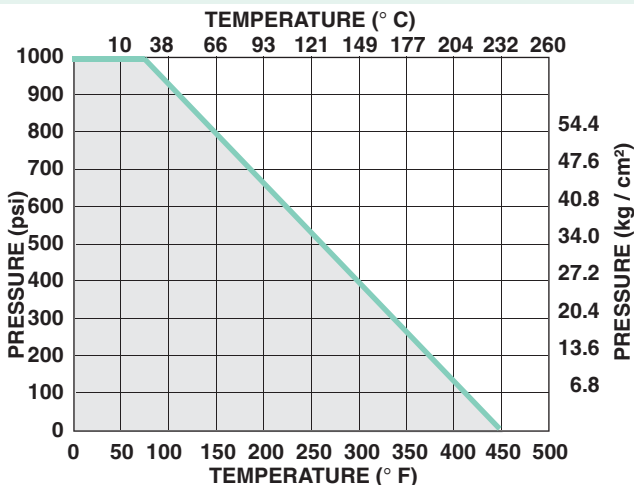
DIMENSIONS AND WEIGHTS:

SIZE	A		B		C		D		E		Cv	Torque in-lb	Weight lbs
	in	mm	in	mm	in	mm	in	mm	in	mm			
1/4"	1.54	39	0.197	5	1.33	33	2.38	60.5	0.67	17.0	1	5	0.15
3/8"	1.73	44	0.276	7	1.38	35	2.95	75.0	0.82	21.0	2.5	5	0.23
1/2"	2.20	56	0.362	9.2	1.65	42	3.50	89.0	1.00	25.4	5.5	11	0.40
3/4"	2.28	58	0.49	12.5	1.81	46	3.50	89.0	1.25	32.0	10	19	0.60
1"	2.76	70	0.63	16	1.97	50	4.17	106	1.50	38.0	15.5	30	0.93
1 1/4"	3.03	77	0.79	20	2.20	56	4.17	106	1.90	48.0	20	45	1.54
1 1/2"	3.23	82	0.97	24.5	2.60	66	5.04	128	2.00	50.4	37	60	1.86
2"	3.90	99	1.26	32	2.84	72	5.04	128	2.50	63.5	60	91	2.98

Note: Torque at Line Pressure of 600 psi. •

Threaded End Connection meets ANSI B1-20-1 NPT

PRESSURE AND TEMPERATURE DATA:



All Valves Tested to MSS SP-72 at 100 psi Air
under Water in OPEN and Close Positions
ANSI / ASME B16.34 & API 598

ATTENTION
MAWP/WOG is a do not exceed
pressure at normal ambient
NPT & Weld End Models



Flo-Tite, Inc.
4815 West 5th St.
Lumberton, NC 28358

P. O. Box 1293
Lumberton, NC 28359
Website: www.flotite.com

Tel: (910) 738-8904
Fax: (910) 738-9112
E-mail: flotite@flotite.com