



# PETRO SERIES

## Models:

- F600 Floating Ball Design
- ANSI Class 600
- Size: 2" - 6"



## Full Port Design:

- 2PC Split Body Design

## Standard Materials or Construction:

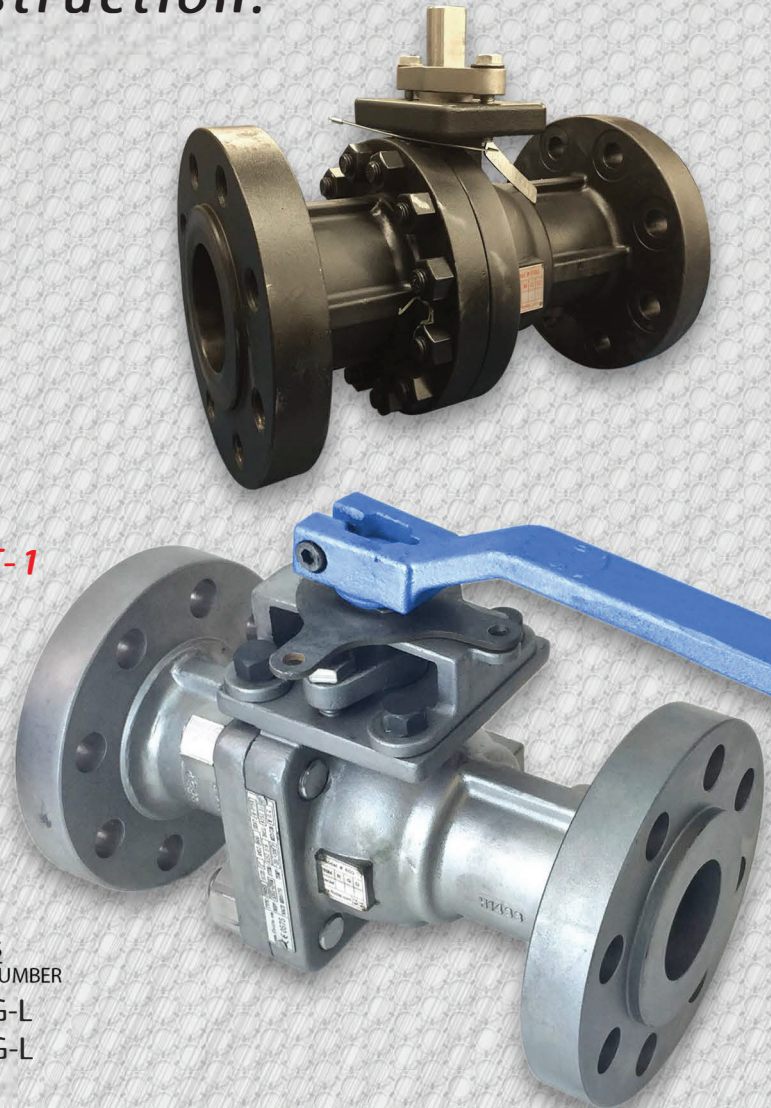
- WCB & LCB with 304SS Trim
- Also Available in CF8M/316SS
- RF or RTJ Flanged Connections

## Design Features:

- Investment Castings
- Floating Ball Design
- Locking Device
- Blow-out Proof Stem
- Anti Static Ground
- Graphite Stem & Body Seals
- Pressure Testing API 598, BS 6755 PT-1
- Actuator Mounting Pad - ISO

## Standards of Compliance:

- ANSI Class 600
- Flanges ANSI B 16.5
- Face to Face ANSI B 16.10
- Shell / Wall ANSI B 16.34
- Fire Safe API607-4
- NACE MRO1-75
- API-6D / ISO-9001
- CE Certified



Petro Series  
STANDARD PRODUCT NUMBER  
F600-SS-RGG-L  
F600-LC-RGG-L

All Valves 100% Hydrostatically  
Pressure Tested:  
Class 600-Shell 2225 PSI

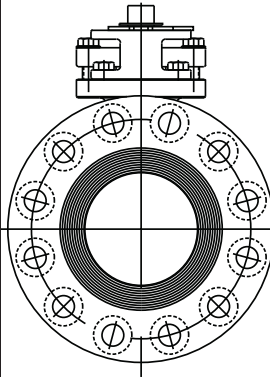


**DESIGN & TECHNICAL DATA**

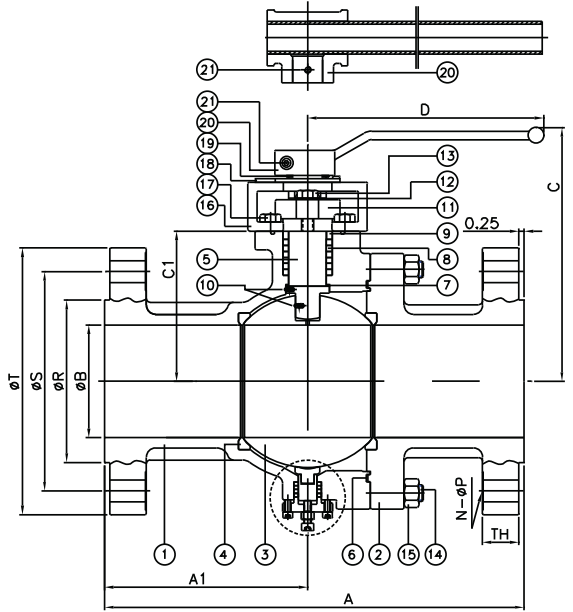
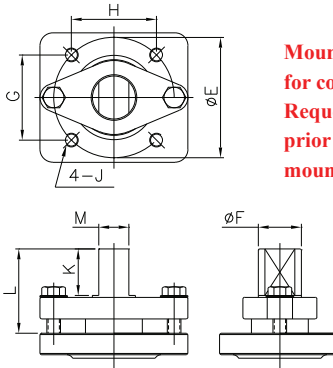
**BILL OF MATERIALS:**

Part #	Name	Carbon Steel	Stainless Steel	Qty
1	Body	A352 LCB, A216 WCB	ASTM A351 CF8M	1
2	Cap	A352 LCB, A216 WCB	ASTM A351 CF8M	1
3	Ball	ASTM A351 CF8	ASTM A351 CF8M	1
4	Seats #	TFM	TFM	2
5	Stem	SS304 / 17-4PH	SS316 / 17-4PH	1
6	Gasket #	SS304 + Graphite	SS304 + Graphite	1
7	Thrust Washer #	Carbon + PTFE/50-50	Carbon + PTFE/50-50	1
8	Stem Packing #	Graphite/TFM	Graphite/TFM	1
9	Packing Follower	SS304	SS316	1
10	Anti-Static Devices	SS304	SS316	2
11	Packing Gland	A352 LCB, A216 WCB	ASTM A351 CF8	1
12	Belleville Washers	SS301	SS310	2
13	Gland Bolts	SS304	SS304	2
14	Body Studs	ASTM A193 B7	ASTM A193 B8	set
15	Body Nuts	ASTM A194 2H	ASTM A194 8	set
16	Stop Housing	A352 LCB, A216 WCB	ASTM A351 CF8	1
17	Housing Bolts	SS304	SS304	4
18	Travel Stop	SS304	SS304	1
19	Snap Ring	Nickel Plated CS	Nickel Plated CS	1
20	Handle	Ductile Iron	Ductile Iron	1
21	Locking Bolt	Steel	Steel	1
22	Turning Screw	SS304	SS304	1
23	Set Nut	SS304	SS304	1
24	Base Gland Bolts	SS304	SS304	4
25	Base Gland	A105 / LF2	SS304	1
26	Support Pin	SS304	SS316	1
27	Pin Packing #	Graphite	Graphite	1
28	Pin Seat #	Carbon + PTFE	Carbon + PTFE	1

**Petro Series Valve**

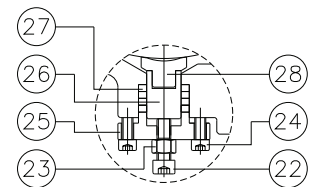


**Mounting Dimensions:**



**Mounting Dimensions are for cost estimating only! Request certified drawing prior to manufacturing mounting hardware.**

**Ball Support Design**



Appear on 6" only

# Parts included in repair kits

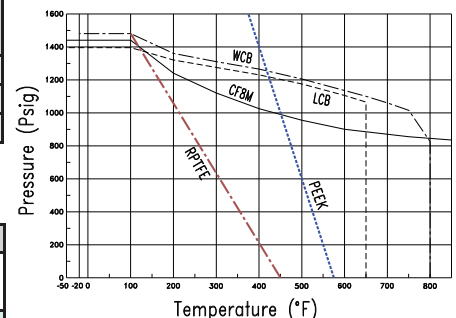
**Model F600- ANSI Class 600 Dimensions, Cv, Torque & Weight:**

Size	A	A1	B	C	C1	D	E	F	G	H	J	K	L	M	N	P	R	S	T	TH	Cv	ISO	Torque, in-lb @ 1000 psi	Torque, in-lb @ 1500 psi	Weight lbs
2"	11.5	5.55	1.97	5.94	2.95	13.78	2.76	0.866	1.95	1.95	5/16unc	1.28	1.96	0.669	8	0.75	3.62	5.00	6.50	1.00	410	F07	880	1100	38
3"	14.0	6.80	3.00	--	5.12	--	4.02	1.10	2.84	2.84	1/2-13unc	1.65	2.60	0.669	8	0.88	5.00	6.62	8.25	1.25	1120	F10	2640	3300	85
4"	17.0	8.62	4.00	--	6.10	--	4.92	1.34	3.48	3.48	1/2-13unc	1.95	3.15	1.024	8	1.00	6.19	8.50	10.75	1.50	1825	F12	5600	7000	154
6"	22.0	10.65	6.00	--	7.87	--	4.92	1.34	3.48	3.48	1/2-13unc	2.13	3.86	0.91	12	1.12	7.31	11.50	14.00	1.88	4700	F12	10560	13200	363

**F600 Series - Product Identification Code/Model Numbers**

Model	Body Material	Ball Material	Stem Material	Seat Material	Stem Seal Material	Body Seal Material	Valve Operator
F600	316SS CF8M	SS	316SS CF8M	SS	SS316	SS	TFM
	WCB A216	CS	304SS CF8	S4	SS304	S4	PEEK
	LCB A352	LC			17-4PH	S7	Metal

**Pressure & Temperature Chart**



Most additional seating materials are available, consult factory

**Ordering Example by Part Numbers**

F60 Series	Carbon Steel Body	SS304 Ball	SS316 Stem	RPTFE Seat	Graphite Packing	Graphite Body Seal	Bare Stem
Model	Body Material	Ball Material	Stem Material	Seat Material	Stem Seal Material	Body Seal Material	Valve Operator
F600	CS	S4	SS	F	G	G	N

**NOTE:**

- A variety of Special Alloys as well as Special Seating materials are available.
- Sizes 8" thru 24" available in TM series of Trunnion Design, C/F
- Weatherproof gear operators are recommended for size 4" and larger valves.
- Consult factory for gear operator dimensions and information.



Flo-Tite, Inc.  
4815 West 5th St.  
Lumberton, NC 28358

P. O. Box 1293  
Lumberton, NC 28359  
Website: www.flotite.com

Tel: (910) 738-8904  
Fax: (910) 738-9112  
E-mail: sales@flotite.com

Due to continuous development & improvement of our product range, we reserve the right to alter the dimensions and technical data included in this brochure.