



Lined Valves

Chem-Flo Series

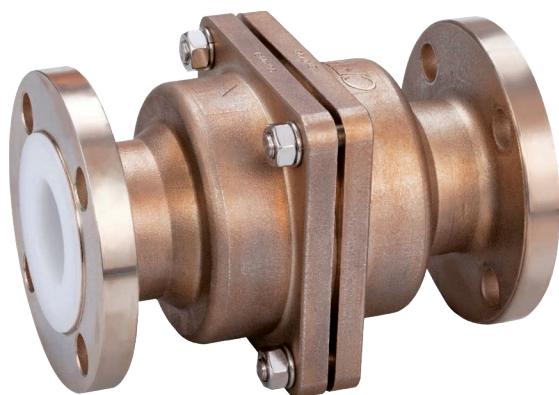
Lined Valves Designed for High Corrosion, High Purity

PFA Lined Ball Valves

Full Port 150# Flanged Ends

Ductile & Stainless Bodies

Size Range ½"-6"



Ball Check Valves

PFA Lined

Full Port 150# Flanged Ends

Ductile & Stainless Bodies

Size Range ½"-4"

Fully Lined Butterfly Valves

Wafer & Lug Types

Ductile & Stainless Bodies

Size Range: 2"-24"



**Chem-Flo Valves Replace
High Alloy Valves**



4815 West 5th Street
Lumberton NC, 28358

www.flotite.com

Office: 910.738.8904
Fax: 910.738.9112
sales@flotite.com

PTFE Lined Ball Valve

CHEM-FLO SERIES

PFA Lined Valves Designed for High Corrosion, High Purity

Model:
F15-DI-FAA-L

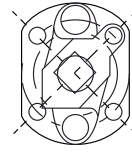
Size Range:
1/2"-6"

Temperature Range:
14° F~ +320° F
-10° C~ +160° C

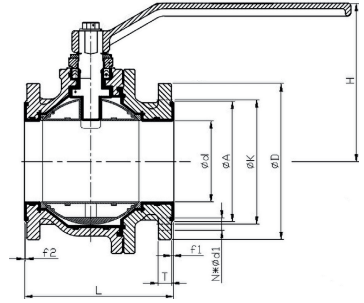
Pressure Grade:
ANSI Class 150

Design Advantages:

- Valve Body Design: ASME B16.42 & EN12516-3
- Face-to-Face: ASME B16.10
- Maximum Operating Pressure: 250PSI
- Actuator Mounting Pad: ISO-5211
- VOC Test Verified by ISO-15848-1



ISO 5211

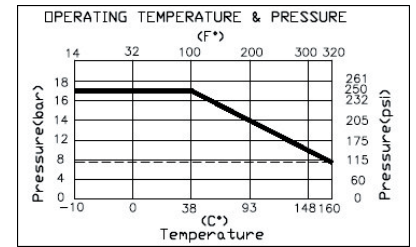


Description	Material	Qty
Body	A395 Ductile Iron+PFA	1
Cap	A395 Ductile Iron+PFA	1
Stem	ASTM A279-304+PFA	1
Ball	A351-CF8+PFA	1
Gland Packing	PTFE	1
Gland Flange	ASTM A351-CF8	1
Triangle Stopper	ASTM A276-304	1
Handle	ASTM A216-WCB	1
Seats	TFM-1600	2
C-Ring	ASTM A276-304	1
Washers	ASTM A276-304	8
Bolt	ASTM A193-Gr. B8	1
Spring Washers	ASTM A276-304	4/8
Gland Bolts	ASTM A193-Gr. B8	2
Body Stud Bolts	ASTM A193-Gr. B8	4/8
Body Nuts	ASTM A194-Gr. 8A	4/8
Spring	ASTM A313-302	1

Size	1/2"	3/4"	1"	1 1/2"	2"	2 1/2"	3"	4"	6"
CV valve	19	45	88	242	425	783	1182	2130	3000
ISO Mount	F04	F04	F05	F07	F07	F07	F07	F10	F12

Torque	0 PSI	45 PSI	90 PSI	150 PSI	200 PSI	275 PSI
1/2"	3.92	3.92	3.92	3.92	3.92	3.92
3/4"	4.9	4.9	4.9	4.9	4.9	4.9
1"	5.39	5.39	5.39	5.39	5.39	5.39
1 1/2"	8.83	8.83	8.83	8.83	8.83	8.83
2"	13.73	13.73	13.73	13.73	13.73	15.2
2 1/2"	17.65	17.65	17.65	18.14	18.14	19.1
3"	24	24	24	24	24	25.5
4"	51.98	52.96	52.96	52.96	52.96	53.9
6"	235	235	235	265	265	275

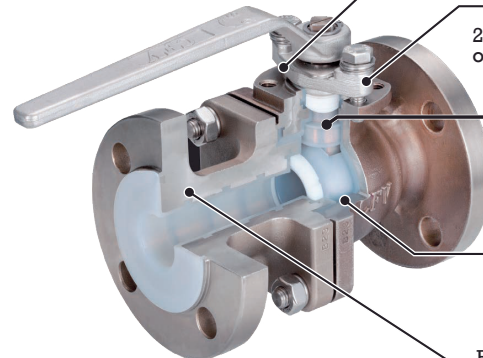
SIZE		APPROX. WEIGHT		TORQUE, IN./LBS. @ΔP=10 BAR/150PSI		FLOWRATE	
INCH	DN	LB.	KG.	OPER.	MAX PERMITTED	KVS	CV
1/2"	15	6.2	2.8	44	88	17.4	20.5
3/4"	20	12.1	5.5	88	170	61	70.5
1"	25	12.1	5.5	88	170	61	70.5
1 1/2"	40	26.4	12	176	440	188	219
2"	50	33	15	282	704	276	321
3"	80	63.8	29	660	1408	591	692
4"	100	101.2	46	1716	2819	1247	1451
6"	150	168.3	76.5	2464	4400	2755	3215



Dimensions

Size (in)	ød	H	E	L
1/2"	15	83	145	108
3/4"	20	84	145	117
1"	25	101	165	127
1-1/2"	40	128	225	165
2"	50	136	225	178
2-1/2"	65	168	350	190
3"	80	177	350	203
4"	100	233	400	229
6"	145	282	466.5	267

Unit: mm



1. Semicon-class PFA liner, long life and low residue

VOC certified to ISO 15848-1

2. Lock washer prevents the loosening of gland nut and leakage from packing

3. Anti-Blowout Stem, and low break torque

Double sealing body design

4. Double sealing body design ensures no leakage from inside or outside

Full bore

5. Transfer-molding liner reduces the risks of liner detachment



Chem-Flo Series

PTFE Lined Butterfly Valves Designed for High Corrosion and High Purity

See Tech Bulletin 25/26

Models:

- 25 - Wafer Type
- 26 - Lug Type

Size Range:

2" - 12"

Materials:

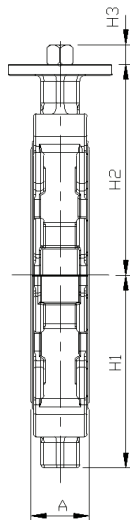
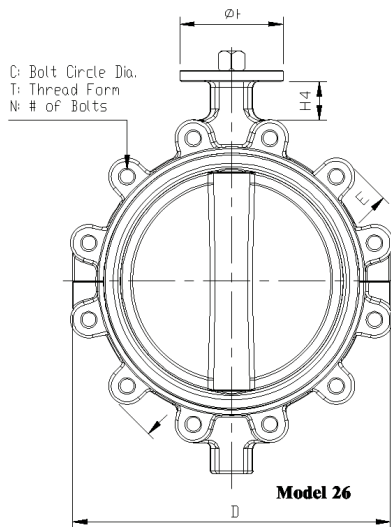
Ductile Iron Body
Optional Stainless Steel
and Special Alloy

Pressure Rating:

- 2" - 14": 150 PSI
- 16" - 24": 100 PSI

Actuator Mounting:

ISO - 5211 Direct Mount



ANSI Class 125 PTFE Lined Butterfly Valves

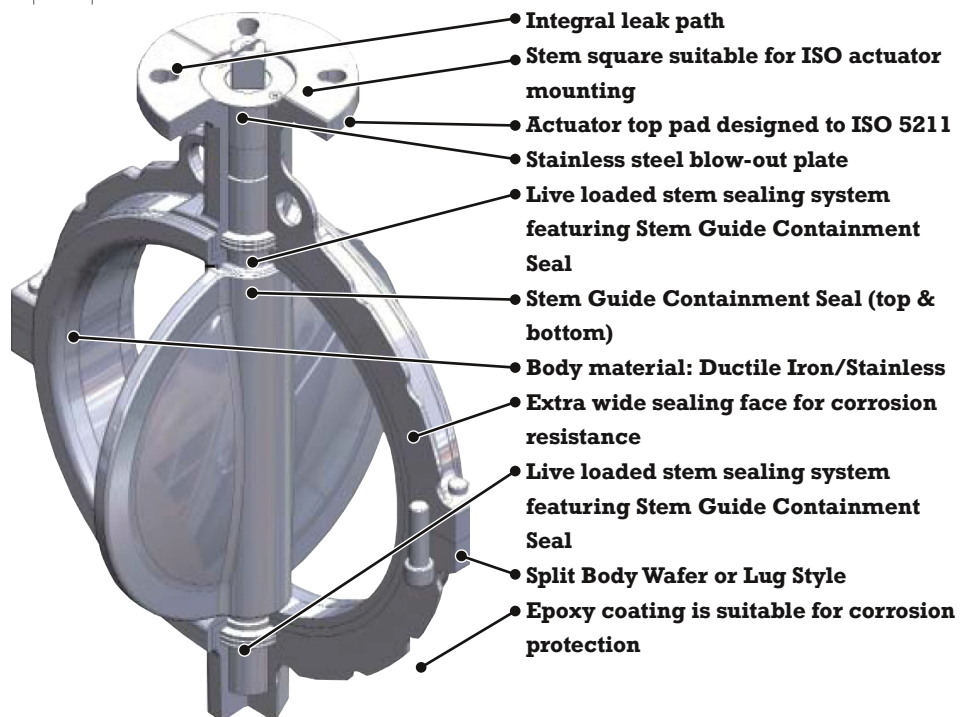
Size	A	Wafer [D]	Lug [D]	Wafer [H1]	Lug [H1]
2"	1.85	5.08	6.02	2.56	2.36
2.5"	1.97	5.28	6.10	2.76	2.76
3"	1.97	6.26	7.09	3.23	3.31
4"	2.19	7.76	8.07	3.78	4.02
5"	2.32	8.43	9.45	4.72	4.80
6"	2.32	10.00	10.43	5.12	5.28
8"	2.48	12.20	12.60	6.69	6.50
10"	2.87	14.57	15.16	8.66	7.64
12"	3.19	16.56	17.73	8.82	8.82

Design Features

- 2-Piece Body Design
- Ease of Automation
- Phenolic Backed Seats
- 2 Piece Stem Design
- Epoxy Coated Body
- Low Operating Torque
- Blowout-Proof Stem
- Optional Polished Disc

Typical Applications

- Fertilizers
- Desalination
- Bio-Technical
- Pulp and Paper
- Textile Industry
- Petro-Chemical
- Food Processing
- Semi-Conductors
- Mining and Steel
- Paint and Pigments
- Pharmaceutical Industry
- Chemical Process Industry



Model:

BCV15-SS-TT

Size Range:

1/2"-4"

Temperature Range:

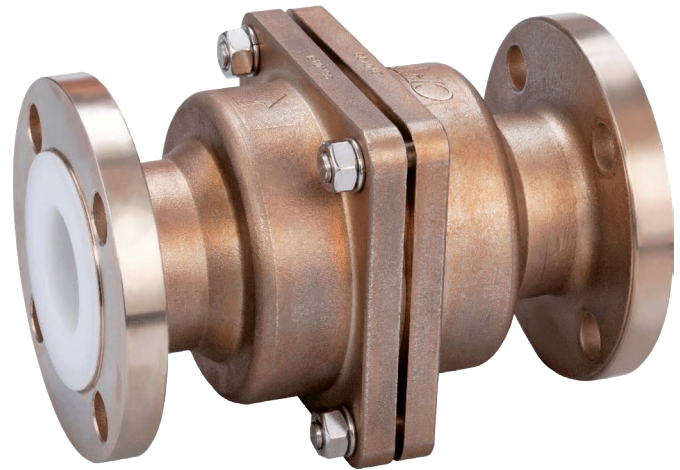
-30°C~+100°C

Pressure Grade:

Class 150

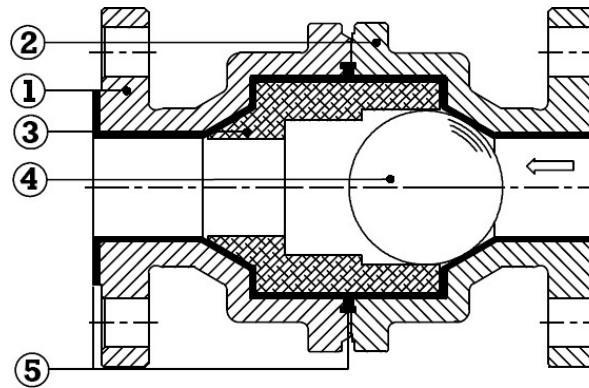
Optional Products (C/F)

- PFA Lined Diaphragm Valves
- PFA Lined Plug Valves



Material List

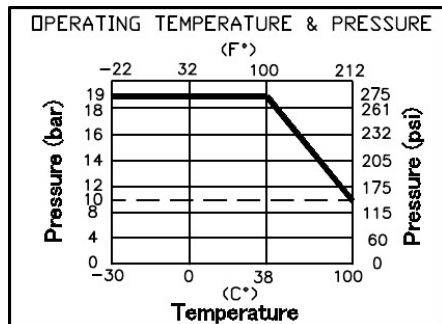
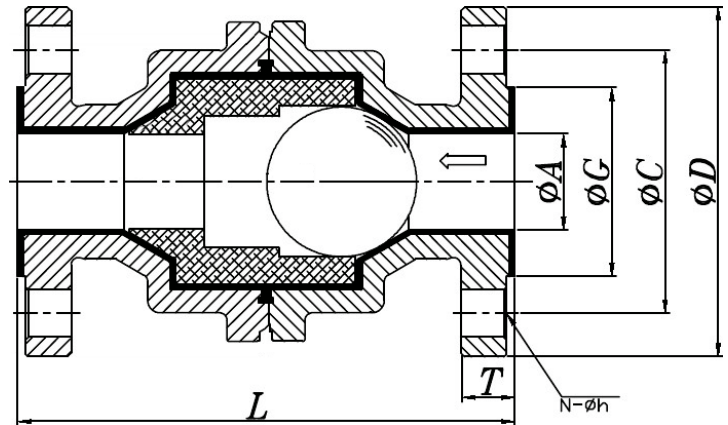
Item	Designation	Specification
1	Body	A351-CF8 +PFA (Fluoropolymer) Liner
2	Cap	A351-CF8 +PFA (Fluoropolymer) Liner
3	Sleeve	PTFE
4	Ball	PTFE
5	Spring	SUS304 WPA+PFA (Fluoropolymer) Liner



Dimensions

Size				JIS 10K			ANSI 150
in	DN	øA	L	D	C	G	D
1/2"	15	15	130	95	70	45	89
3/4"	20	20	150	100	75	50	98
1"	25	25	160	125	90	61	108
1-1/2"	40	38.5	200	140	105	76	127
2"	50	51	230	155	120	91	152
2-1/2"	65	65	290	175	140	113	178
3"	80	76	310	185	150	123	190.5
4"	100	102	350	210	175	147	228.6

Unit: mm



Design Advantages

- ASME B16.34 Valve Body Design
- ISO 5752 face-to-face
- Low Pressure Applications and no back pressure to seat
- Spring check type: Universal installation orientation
- Ball check type: Vertical installation only, with flow direction from bottom up
- Lining thickness is at least 3mm



4815 West 5th Street
Lumberton NC, 28358

www.flotite.com

Office: 910.738.8904
Fax: 910.738.9112
sales@flotite.com