

# EZ Vane Solenoid Valve (External Ported) IOM

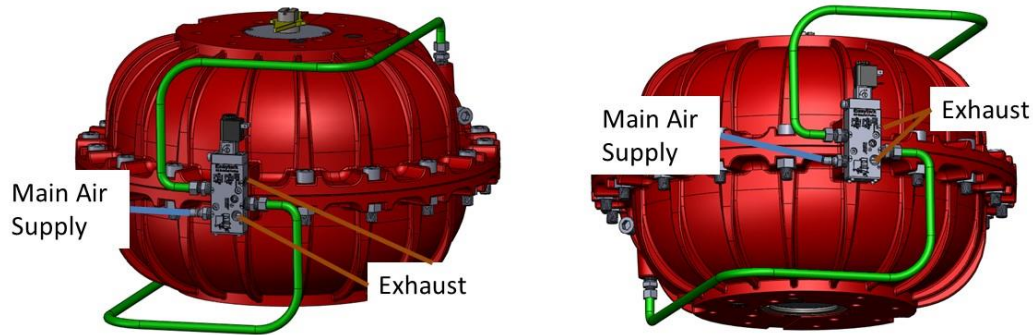
## General

This installation document is a supplemental data to the EZ Vane Solenoid Valve IOM. Refer to the EZ Solenoid Valve IOM for more information.

## Fail-Close Setup & Piping

Actuator will move CCW when the coil is energized and there is normal air supply. If there is loss of signal and or loss of air signal, actuator will move CW.

Fail-Close Setup with External Ported ESV



## Fail-Open Setup & Piping

Actuator will move CW when the coil is energized and there is normal air supply. If there is loss of signal and or loss of air signal, actuator will move CCW. **(Note ESV is rotated 180 degrees)**

Fail-Open Setup with External Ported ESV

