



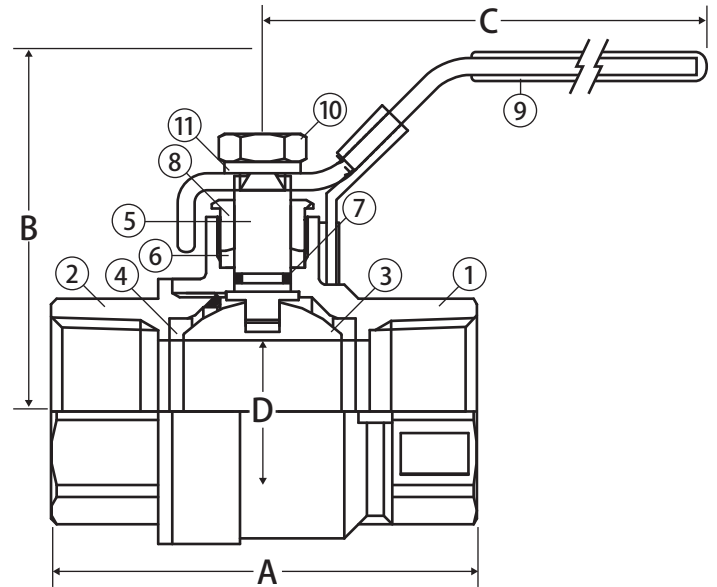
Brass Ball Valve

2 Piece • Full Port • Threaded Connection • 600 WOG • with Latch Lock Handle

Models:
91-B2-TTT-LL
92-B2 with SS TRIM



CRN# OC16654.5



Features

- Gland follower and single o-ring stem design
- Blow-out proof stem
- Latch lock handle
- 100% leak tested

Approvals



- UL Listed up to 175 PSI (1/4" - 2")
 - MHKZ - Manual valves
 - YRPV - Gas shut-off valves
- CSA Certified
 - CGA 3.16 (125 PSIG)
 - ANSI Z21.15 (.5 PSIG)
 - CGA CR91 (5 PSIG)
 - ASME B16.44 (5 PSIG)
 - ASME B16.33 (1/2" - 2")
 - ASME B16.38 (2-1/2" - 3")
- FM Approval (1/4" - 2")
- MSS SP-110
- ANSI B1.20.1

Material Specifications

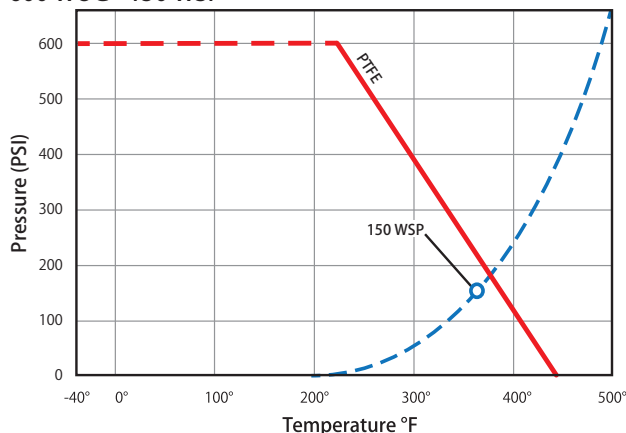
No.	Part	Materials
1	Body	Brass - C37700
2	End Connection	Brass - C37700
3	Ball	Chrome Plated Brass - C37700 / Option SS
4	Seat (2)	PTFE
5	Stem	Brass - C37700 / Option SS
6	Packing	PTFE
7	Stem O-ring	Buna-N
8	Packing Gland	Brass - C37700
9	Handle	Steel - Chrome Plated
10	Handle Nut	Steel - Chrome Plated
11	Lock Washer	Steel - Chrome Plated

Dimensions

Part No.	Size	A	B	C	D
91-08/92-08	1/4"	1.73	2.63	4.49	0.39
91-10/92-10	3/8"	1.73	2.63	4.49	0.39
91-15/92-15	1/2"	2.28	2.69	4.49	0.59
91-20/92-20	3/4"	2.52	2.91	4.86	0.75
91-25/92-25	1"	2.97	3.22	4.86	0.98
91-32/92-32	1-1/4"	3.44	3.45	5.59	1.26
91-40/92-40	1-1/2"	3.88	3.59	5.59	1.57
91-50/92-50	2"	4.29	3.97	5.59	1.97
91-65/92-65	2-1/2"	5.59	4.88	7.35	2.52
91-80/92-80	3"	6.34	5.25	7.35	2.95

Valve Seat Rating

600 WOG - 150 WSP



WARNING: This product can expose you to chemicals including lead, which is known to the State of California to cause cancer, and lead, which is known to the State of California to cause birth defects or other reproductive harm.

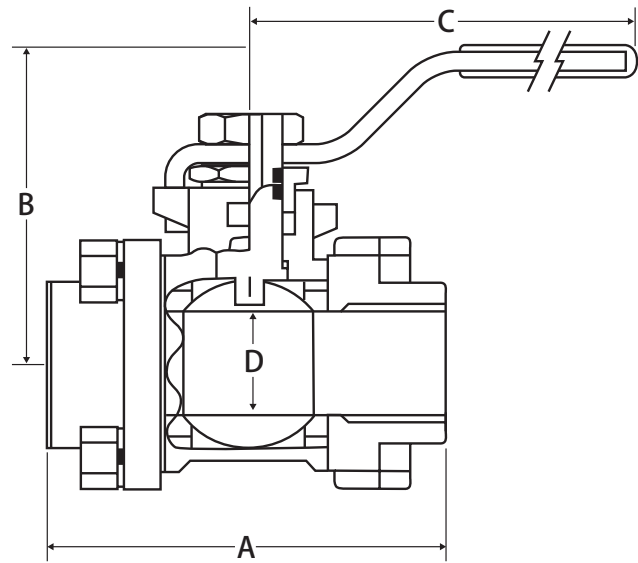
Note: Information subject to change without notice.



Brass Ball Valve

3 Piece • 4 Bolt • Full Port • Connection • 600 WOG

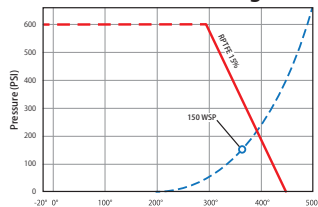
BRAZED
610-B2-RR-LL
Threaded Connection



Features

- Latch lock handle standard
- 3 piece swing out body
- 100% leak tested
- Threaded Connection

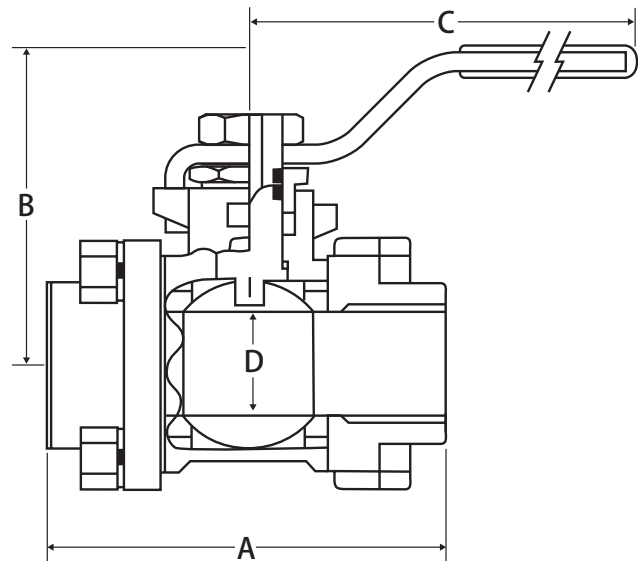
Valve Seat Rating



Part No.	Size	A	B	C	D	Torque
610-15	1/2"	2.62	1.81	2.87	0.59	22
610-20	3/4"	2.93	2.40	4.67	0.79	
610-25	1"	3.44	2.52	4.67	0.99	55
610-32	1-1/4"	3.96	3.11	5.86	1.26	95
610-40	1-1/2"	4.43	3.27	5.86	1.50	120
610-50	2"	5.55	3.62	7.87	1.97	340

3 Piece • 4 Bolt • Full Port • Connection • 600 WOG

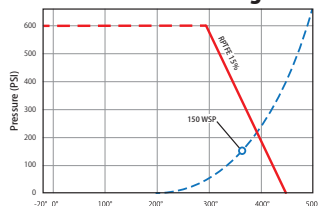
620-B2-RR-LL



Features

- Latch lock handle standard
- 3 piece swing out body
- Body should be swung out during brazing process
- 100% leak tested
- Solder Connection

Valve Seat Rating



Part No.	Size	A	B	C	D	Torque
620-15	1/2"	2.62	1.81	2.87	0.59	22
620-20	3/4"	2.93	2.40	4.67	0.79	
620-25	1"	3.44	2.52	4.67	0.99	55
620-32	1-1/4"	3.96	3.11	5.86	1.26	95
620-40	1-1/2"	4.43	3.27	5.86	1.50	120
620-50	2"	5.55	3.62	7.87	1.97	340