



Stem Extensions

EX - SERIES

Heavy Duty, Rugged Construction
Investment Cast Stainless Steel
Improved Accessibility
Easy Installations



EZ Link Stem Extensions

STANDARD PRODUCT NUMBER

XS1-E4	200/300/F150/F300 Series	1/4" - 3/4"
XS2-E4	200/300/F150/F300 Series	1" - 1 1/4"
XS3-E4	200/300/F150/F300 Series	1 1/2" - 2"
XS4-E4	200/300/F150/F300 Series	3" - 4"
XS4-E5	200/300/F150/F300 Series	6"
XS1-E3	T23/S23 Series	1/4" - 1/2"
XS1-E3	T23/S23 Series	3/4"
XS1-E3	T23/S23 Series	1" - 1 1/4"
XS1-E3	T23/S23 Series	1 1/4"
XS1-E3	T23/S23 Series	2"

3" tall design adapts to the following Fusion Valve Series & sizes: T23/S23 valve sizes 1/4"-2"

4" tall design adapts to the following valve models & sizes: F150/F300/200/300/HPF/HPS valve sizes 1/4"-2", 2 1/2", 3", 4"



6" tall design adapts to the following valve models & sizes: F150/F300 valve sizes 6", 8"



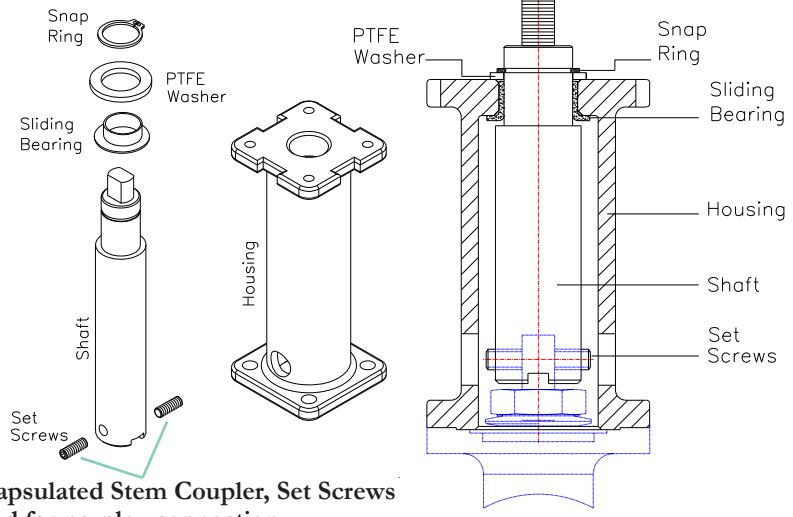
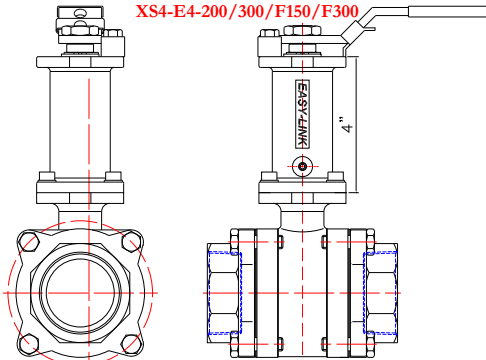
Ideal for Use In Insulated Pipelines

Flo-Tite's EX-Series Stem Extension is designed to provide safer installations. This stem extension provides additional height and helps add distance between the valve and operator. This protects automation from dangerous temperature media that may be present in the pipeline. This also allows handle gear actuation access while providing space for pipe and valve insulation.

Model Type A (lockable)

XS1-E4 / XS2-E4 / XS3-E4 / XS4-E4
 1/4"-3/4" / 1", 1 1/4" / 1 1/2", 2" / 2.5", 3", 4"

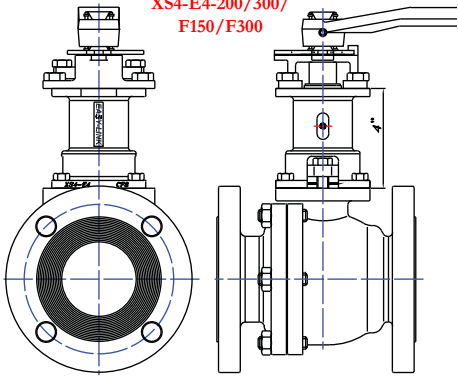
XS1-E4-200/300/F150/F300/HPF
 XS2-E4-200/300/F150/F300/HPF/HPS
 XS3-E4-200/300/F150/F300/HPF
 XS4-E4-200/300/F150/F300



Encapsulated Stem Coupler, Set Screws added for no-play connection.

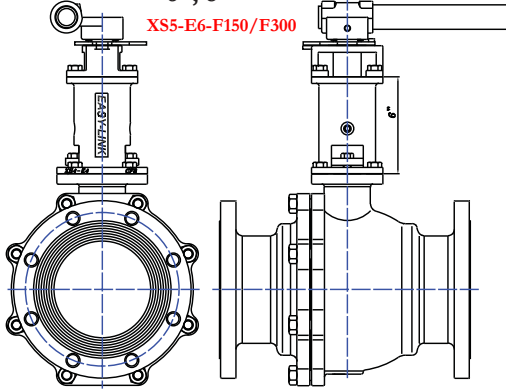
XS4-E4
 2 1/2", 3", 4"

XS4-E4-200/300/
 F150/F300

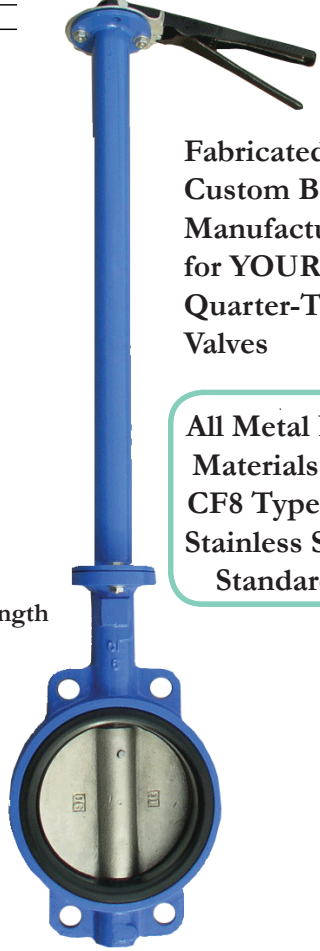


XS5-E6
 6", 8"

XS5-E6-F150/F300



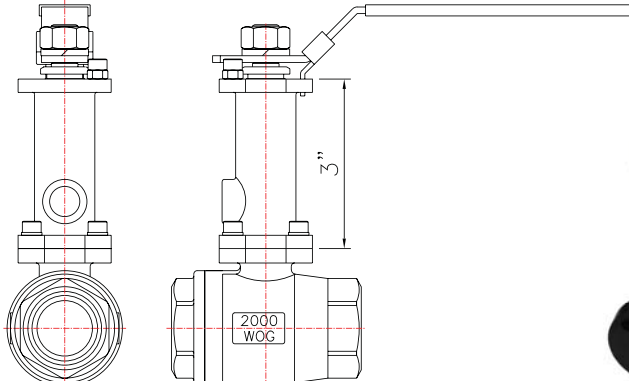
Fabricated
 Custom Built
 Manufactured
 for YOUR
 Quarter-Turn
 Valves



All Metal Part
 Materials are
 CF8 Type 304
 Stainless Steel
 Standard.

Model Type C For the Fusion Series T23\S23

XS1-E3-23 / XS2-E3-23 / XS3-E3-23 / XS4-E3-23
 1/4"-1/2" / 3/4" / 1", 1 1/4" / 1 1/2", 2"



Unlockable Type
 Custom Design 1"-4" Length



Flo-Tite, Inc.
 4815 West 5th St.
 Lumberton, NC 28358

P. O. Box 1293
 Lumberton, NC 28359
 Website: www.flotite.com

Tel: (910) 738-8904
 Fax: (910) 738-9112
 E-mail: sales@flotite.com

Due to continuous development & improvement of our product range, we reserve the right to alter the dimensions and technical data included in this brochure.