



## ACCUTRAK™ ROTARY POSITION MONITORS MODELS 2007/9479/360/366 EXPLOSIONPROOF/FLAMEPROOF

Fully integrated and encapsulated rotary valve position monitors that are certified for use in explosive atmospheres.



### FEATURES

- Touch set cams are hand adjustable, spring loaded and self-locking providing quick calibration of position switches and sensors.
- Terminal strips are pre-wired and numbered with generous working space for ease of use.
- Strong durable Beacon™ offers 360° visual indication in a choice of styles and colors.
- Additional conduit for easy field wiring and mounting accessories as standard.
- Standardized mounting pattern for easy adaptation to common bracketry.
- NAMUR shaft output compliant to VDI/VDE 3845 available.
- Analog position transmitter options.
- Eliminator option for easy integration of external solenoid valve.
- Aluminum enclosures with ultra-low copper content (0.2% maximum) ensure robust performance in corrosive environments.
- Rugged stainless steel enclosures.

### TECHNICAL DATA

#### Agency approvals

Explosionproof/flameproof  
Models 2007/9479

Intertek ATM:103627517CRT-001  
Cl. I, Div. 1, Groups C & D; T\*  
Cl. II, Div. 1, Groups E, F & G; T\*  
Tamb: -\*°C to +\*°C<sup>1</sup>  
IP66/67  
II 2 G Ex db IIB+H2 T\* Gb Ta= -\*°C to +\*°C  
II 2 D Ex td IIIC T\* Db Ta= -\*°C to +\*°C, IP6X  
ITS12ATEX17472X  
IECEX ETL17.0008X  
NCC 16.0122X

Model 360/366

Intertek ATM: 104050146CRT-001  
Cl. I, Div. 1, Groups A<sup>2</sup>, B, C & D; T\*  
Class II/III, Division 1, Groups E, F & G; T\*  
NI, Cl. I, Div. 2, Groups A, B, C, D; T\*  
6P

Enclosure standards

All enclosures

#### Switches\*\*

Magnum/MagPAC

V3 (SPDT) & DPDT mechanical

Pepperl + Fuchs model NJ2-V3-N

#### Enclosures

Aluminum

Stainless steel

Type 4, 4X

### GENERAL APPLICATION

AccuTrak position monitors are ideal for manual and automated rotary valves. They provide consistent and accurate valve monitoring in a compact unit which can be mounted directly or via a valve actuator.

### NOTES

<sup>1</sup> This information can change depending on the construction, refer to the certification.

<sup>2</sup> Solenoid option not available

\*Ambient temperature depend on configuration, see product certificate for details

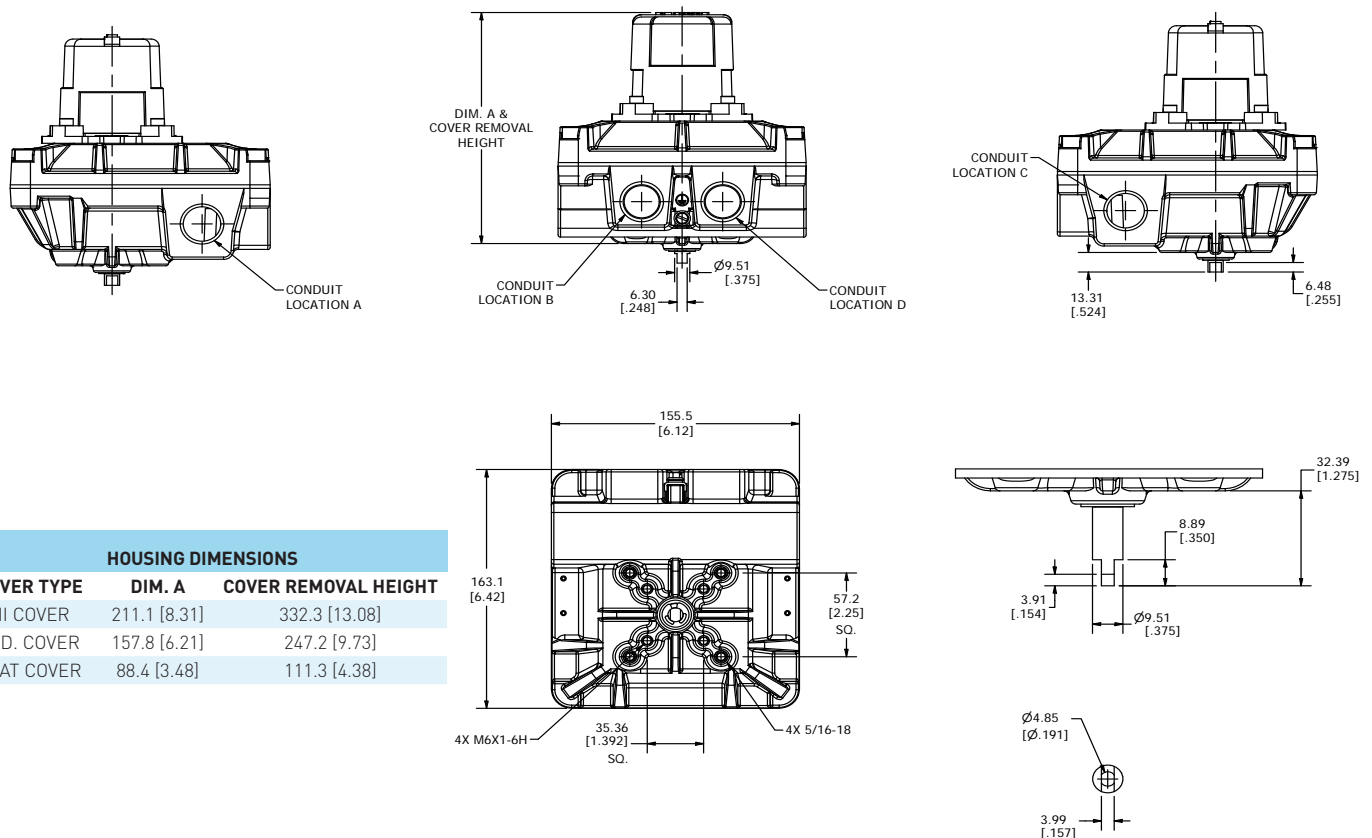
\*\*Refer to ordering guides for switch options

# ACCUTRAK™ ROTARY POSITION MONITORS

## EXPLOSIONPROOF



### MODELS 2007/9479 DIMENSIONS



Dimensions in inches, where available metric dimension (mm) in parentheses

### TECHNICAL SPECIFICATIONS

#### Materials of construction

Enclosure	Aluminum with powder coat finish
Shaft and hardware	Stainless steel
Bushing	Oil impregnated bronze
Beacon visual indicator	Co-polyester

#### Drive shaft

Westlock standard	Double-D with 1/4" A/F
NAMUR standard	NAMUR standard VDI/VDE 3845

#### Available switches

	V3 mechanical switches, SPDT
	DPDT (Form CC) mechanical switches
	Pepperl + Fuchs model NJ2-V3-N
	Magnum (hermetically sealed proximity type)
	MagPAC bifurcated switch pack (9479 ONLY)

#### Options

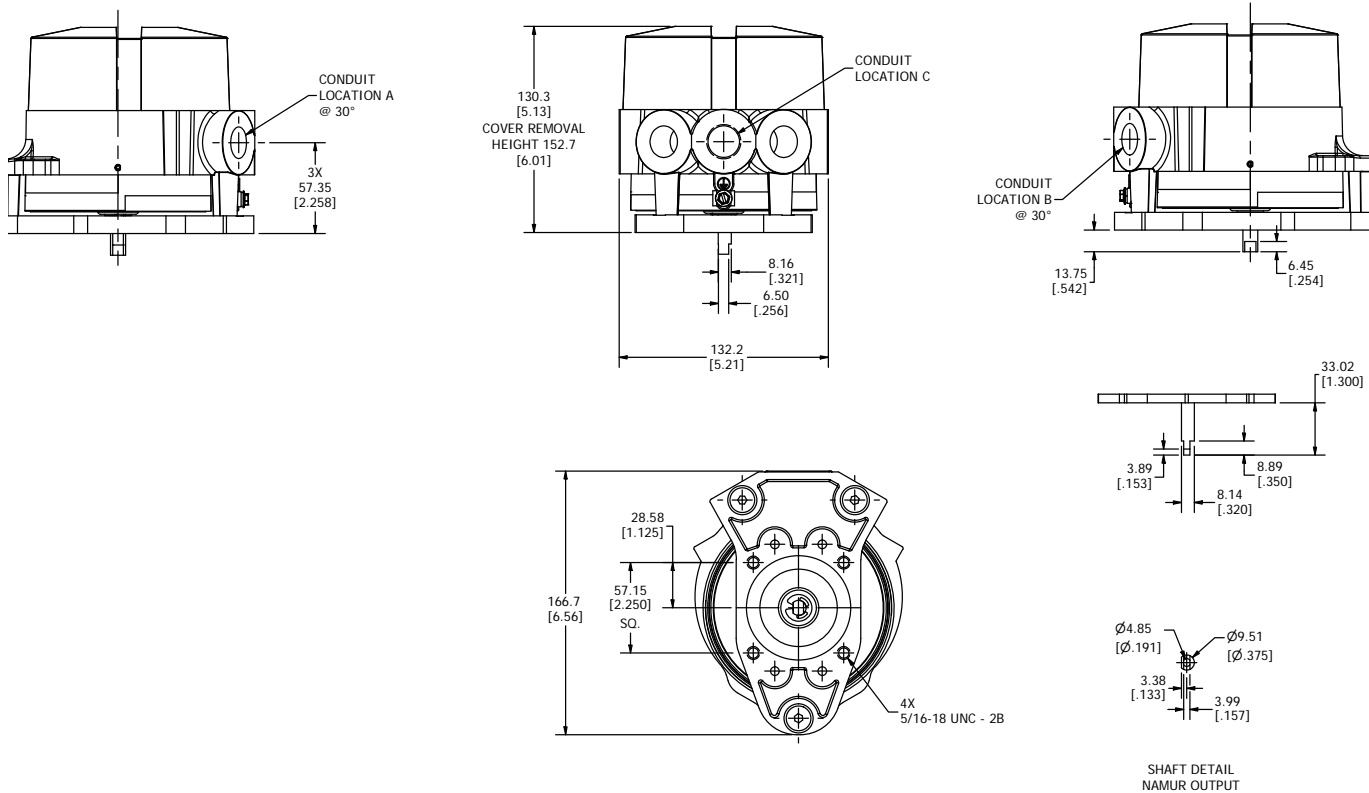
	Stainless steel enclosure
	4-20 mA position transmitter

### NOTES

1. See selection guide for standard conduit entries
2. See switches & sensors data sheet for further information
3. A specialist eliminator fitting is available for the mounting of an aftermarket solenoid valve
4. Please consult your sales office for any other requirements



MODELS 360/366 DIMENSIONS



Dimensions in inches, where available metric dimension (mm) in parentheses

**TECHNICAL SPECIFICATIONS**

**Materials of construction**

Enclosure	
Model 360	Aluminum with powder coat finish
Model 366	Stainless steel with electropolished finish
Shaft and hardware	Stainless steel
Bushing	Oil impregnated bronze
Beacon visual indicator	Co-polyester

**Drive shaft**

Westlock standard	Double-D with 1/4" A/F
NAMUR standard	NAMUR standard VDI/VDE 3845

**Available switches**

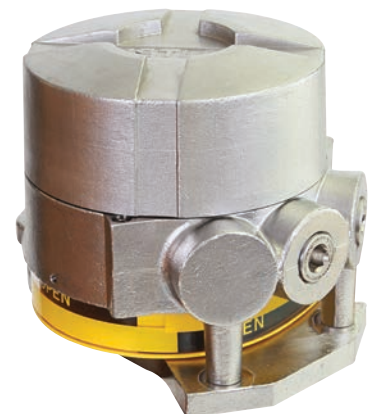
	V3 mechanical switches, SPDT
	DPDT (Form CC) mechanical switches
	Magnum, SPDT hermetically sealed switches, with tungsten contacts
	Magnum, SPDT hermetically sealed switches, with rhodium contacts

**Options**

Models 360/366	4-20 mA position transmitter
----------------	------------------------------

Notes

1. See selection guide for standard conduit entries
2. See switches & sensors data sheet for further information
3. A specialist eliminator fitting is available for the mounting of an aftermarket solenoid valve
4. Please consult your sales office for any other requirements



# ACCUTRAK™ EXPLOSIONPROOF ROTARY POSITION MONITORS

## MODEL 2007 SELECTION GUIDE



### Base model

2007 Aluminum enclosure

#### Shaft output

- S Standard (Double-D with 1/4" Flats)
- D Direct mont to Keystone F89 actuators
- N NAMUR

#### Beacon

- BY BM2-Y (Standard)
- RG BM2-RG (Red Closed/Green Open)
- FE BM2-Y-FE (French/English)
- LP BM2- Y-LP (Low Profile Standard)
- B1 BM3-1 (3-way B1 Flowpath)
- B3 BM3-3 (3-way B3 Flowpath)
- B5 BM3-5 (3-way B5 Flowpath)
- B7 BM3-7 (3-way B7 Flowpath)
- B9 BM3-9 (3-way B9 Flowpath)
- FC Flat cover - **not available with switch options requiring high cover**

#### Conduit

- 2B Two 3/4" NPT (F) - **not permitted with switch options 6M02 or 4M04**
- 4B Four 3/4" NPT (F)
- 4E Two 3/4" NPT (F), One 1/2" NPT (F) & One 1/2" NPT (M) Global Eliminator Fitting\*
- 4F Two 3/4" NPT (F) & Two 1/2" NPT (M) Global Eliminator Fittings\*
- EA Two 3/4" NPT (F) & Two 1/2" NPT (F)
- 2M Two M20 (F) - **not permitted with switch options 6M02 or 4M04**
- 4M Four M20 (F)

#### Position switches

- 2M02 Two SPDT Mechanical Switches - 8 pt. Terminal Strip
- 4M02 Four SPDT Mechanical Switches - 16 pt. Terminal Strip
- 6M02 Six SPDT Mechanical Switches - 24 pt. Terminal Strip, High Cover, 4 Conduits
- 2M04 Two DPDT Mechanical Switches - 16 pt. Terminal Strip
- 4M04 Four DPDT Mechanical Switches - 24 pt. Terminal Strip, High Cover, 4 Conduits

#### Position Transmitter

- 00 None
- DS 4-20 mA Digital Signal Position Transmitter - **12 pt. Terminal Strip w/ 2M02 OR 16 pt. Terminal Strip, High Cover w/ 2M04, 4M02**

#### Unit Specialty Codes (leave blank for standard builds)

- M0000 INMETRO Certification
- 00124 316 Stainless Steel Enclosures
- 00692 \*\*120 VAC Heater Resistor
- 00710 12 pt. Terminal Strip
- 00816 \*\*24 VDC Heater Resistor
- 01351 SIL 3 - **some restrictions may apply; consult Sales**

2007

N

BY

2B

2M02

DS

= Model number **2007NBY2B2M0200DS**

### ORDERING NOTES

\*Eliminator Fitting is 1/2" NPT (M) for the purpose of mounting an after market solenoid valve.

\*\*For INMETRO replace first digit of the speciality code with M; For e.g. 2007NBY2B2M02DS**M**0124

\*\*\*T Ratings for optional heater resistors changes to T2C.



**Base model**

9479 Aluminum enclosure

**Shaft output**

- S Standard (Double-D with 1/4" Flats)
- D Direct mount to Keystone F89 actuators
- N NAMUR VDI/VDE 3845

**Beacon**

- BY BM2-Y (Standard)
- RG BM2-RG (Red Closed/Green Open)
- FE BM2-Y-FE (French/English)
- LP BM2-Y-LP (Low Profile Standard)
- B1 BM3-1 (3-Way B1 Flowpath)
- B3 BM3-3 (3-Way B3 Flowpath)
- B5 BM3-5 (3-Way B5 Flowpath)
- B7 BM3-7 (3-Way B7 Flowpath)
- B9 BM3-9 (3-Way B9 Flowpath)
- FC Flat cover - **not available with switch options requiring high cover**

**Conduit**

- 2B Two 3/4" NPT (F) - **not permitted with 6 SPDT or 4 DPDT switch options**
- 4B Four 3/4" NPT (F)
- 4E Two 3/4" NPT (F), One 1/2" NPT (F) & One 1/2" NPT (M) Global Eliminator Fitting\*
- 4F Two 3/4" NPT (F) & Two 1/2" NPT (M) Global Eliminator Fittings\*
- EA Two 3/4" NPT (F) and Two 1/2" NPT (F)
- 2M Two M20 (F) - **not permitted with 6 SPDT or 4 DPDT switch options**
- 4M Four M20 (F)

**Position Switches (see ordering notes)**

- 2M06 Two SPDT Magnum Switches - 8 pt. Terminal Strip
- 2M08 Two P+F NJ2-V3-N NAMUR Inductive Proximity Sensors - 8 pt. Terminal Strip
- 2M12 Two SPDT Magnum Switches, Rhodium Contacts - 8 pt. Terminal Strip
- 2M13 MagPAC Module (Two SPST Bifurcated Reeds), Diagnostic LEDs - 12 pt. Terminal Strip
- 2M17 Two DPDT Magnum Cobra - 12 pt. Terminal Strip, High Cover, 4 Conduits
- 2M18 Two DPDT Magnum Cobra, Rhodium Contacts - 12 pt. Terminal Strip, High Cover 4 Conduits
- 4M06 Four SPDT Magnum Switches - 16 pt. Terminal Strip
- 4M08 Four P+F NJ2-V3-N NAMUR Inductive Proximity Sensors - 16 pt. Terminal Strip
- 4M12 Four SPDT Magnum Switches, Rhodium Contacts - 16 pt. Terminal Strip
- 4M17 Four DPDT Magnum Cobra, Rhodium Contacts - 24 pt. Terminal Strip, High Cover, 4 Conduits
- 4M18 Four DPDT Magnum Cobra, Rhodium Contacts - 24 pt. Terminal Strip, High Cover, 4 Conduits
- 6M06 Six SPDT Magnum Switches - 24 pt. Terminal Strip, High Cover, 4 Conduits
- 6M08 Six P+F NJ2-V3-N NAMUR Inductive Proximity Sensors - 16 pt. Terminal Strip, High Cover
- 6M12 Six SPDT Magnum Switches, Rhodium Contacts - 24 pt. Terminal Strip, High Cover, 4 Conduits

**Position Transmitter**

- 00 None
- DS 4-20 mA Digital Signal Position Transmitter - **available only w/ 12 pt. TS and 2M06, 2M12, 2M08 OR w/ 16 pt. TS 4M06, 4M12, 4M08 and high cover**

**Unit Specialty Codes (leave blank for standard builds)**

- M0000 INMETRO Certification
- 00124 316 Stainless Steel Enclosure
- 00692 \*\*120 VAC Heater Resistor
- 00710 12 pt. Terminal Strip
- 00816 \*\*24 VDC Heater Resistor
- 01351 SIL 3 - *some resistrations may apply; contact Sales*

**9479 N BY 2B 2M12 DS** = Model number **9479NBY2B2M12DS**

**ORDERING NOTES**

- \*Eliminator Fitting is 1/2" NPT (M) for the purpose of mounting an after market solenoid valve.
- \*\*For INMETRO replace first digit of the speciality code with M; For e.g. 9479NBY2B2M12DS**M**0124
- \*\*\*T Ratings for optional heater resistors changes to T2C.

**POSITION SWITCH APPLICATION NOTES**

- For 120 VAC service, M13 (MagPAC) is recommended.
- For 24 VDC service below 1 watt, M12 (Rhodium Magnum Switches) or M13 (MagPAC) is recommended.
- For 24 VDC service above 1 watt, M06 (Tungsten Magnum Switches) or M13 (MagPAC) is recommended.

**ACCUTRAK™ EXPLOSIONPROOF ROTARY POSITION MONITORS**  
**MODEL 360/366 SELECTION GUIDE**



**Base Model**

- 360 Aluminum enclosure
- 366 Stainless steel enclosure

**Shaft Output**

- S Standard (double-D with 1/4" Flats)
- N NAMUR

**Beacon**

- BY Black/Open - Yellow/Closed (Standard)
- RG Red/Closed - Green/Open

**Conduit**

- 2B Two 3/4" NPT (F)
- 3B Three 3/4" NPT (F)
- 2E One 3/4" NPT (F) & One 1/2" NPT (M) Eliminator Fitting\*
- 3E Two 3/4" NPT (F) & One 1/2" NPT (M) Eliminator Fitting

**Position Switches**

- 2M02 Two SPDT Mechanical Switches - 10 pt. Terminal Strip
- 2M04 Two DPDT Mechanical Switches - 14 pt. Terminal Strip
- 2M06 Two SPDT Magnum Switches - 10 pt. Terminal Strip
- 2M12 Two SPDT Magnum Switches with Rhodium Contacts - 10 pt. Terminal Strip
- 2M17 Two DPDT Magnum Cobra Switches - 14 pt. Terminal Strip
- 2M18 Two DPDT Magnum Cobra Switches with Rhodium Contacts - 14 pt. Terminal Strip
- 4M02 Four SPDT Mechanical Switches - 14 pt. Terminal Strip
- 4M06 Four SPDT Magnum Switches - 14 pt. Terminal Strip
- 4M12 Four SPDT Magnum Switches with Rhodium Contacts - 14 pt. Terminal Strip

**Position Transmitter**

- 00 None
- DS 4-20 mA Digital Signal Position Transmitter - 10 pt. Terminal Strip - **available only w/ 2M02, 2M06, 2M12 switch options**

**360 N BY 2B 2M12 00** = Model number **360NBY2B2M1200**

**ORDERING NOTES**

\*Eliminator Fitting is 1/2" NPT (M) for the purpose of mounting an after market solenoid valve.

***Shop Flo-Tite for all Your Actuation Requirements***





[www.flotite.com](http://www.flotite.com)