



State of The Art Double Offset
Butterfly Valve Design



*Air-Con's
Easy Vane
Actuator*

**IDEAL FOR
MODULATING
CONTROL VALVES**

Screwless Retainer

Tri-Max Series

Class 150/ Class 300

Size Range: 2" - 48"

BL 631/731 and BW 631/731

Double Offset High Performance Butterfly Valve



CRNs

SIL-3





High Performance Double Offset Butterfly Valve

Type : Wafer, Lug, Flanged

Size : 2" ~ 48" DN50~DN1200

Pressure-Temperature Rating: API 609

Temperature Rating : -27°F ~ 1112°F (-29°C ~ 600°C)

Suitable Flanges: ANSI: 150LB, 300LB

DIN:PN10, PN16, PN20, PN25, PN40, PN64,

JIS: 10K, 16K

Patented Floating Seat Retainer

Bi-directional Zero Leakage

Low Fugitive Emission System :DIN3780, MSS-SP-143
API 641, ISO15848

Fire Safe: API 607, ISO 10497

Testing: API 598, ISO 5208

Top Mounting: ISO 5211

Metal Seat Class IV- V Leakage

Flo-Tite/Max-Seal 631/731 Series High Performance Butterfly Valves, serving Multi-National end users in a wide range of applications in many industries including:

- | | | |
|-----------------------------|----------------------------|---------------------------------------|
| 1. Chemical & petrochemical | 5. Food industries | 9. Steel & iron industries |
| 2. Power generation plants | 6. LNG, HRSG industries | 10. Pulp & paper plants |
| 3. Ship building industries | 7. Oil refinery industries | 11. Coal & mining industries |
| 4. Fiber industries | 8. Desalination industries | 12. Higher Pressure HVAC Applications |

Our goal is to provide a highly engineered approach solving problems and creating value for our customers, in harsh service sectors such as: Lng, Cryogenic, Hydrogen, Aerospace Controls, Valves in green energy applications.

HIGH PERFORMANCE BUTTERFLY VALVE MODEL NUMBER CODES

Model	Pressure Class		Body Material		Disc Material		Stem Material		Seat Material		Stem Seal		Operator		Special Feature	
Wafer-BW LUG-BL	150	631	316SS	SS	316SS	SS	316SS	SS	RPTFE	R	PTFE	T	Lever	L	Fire Safe	F1
	300	731	WCB	CS	Duplex	DP	304SS	S4	Super Tek TFM 1600	F	Graphite	G	Gear	G		
	600 C/F	830	Duplex	DP	Alloy 20	A2	17-4PH	S7	Metal	M	C/F		Bare Stem	N		
			Bronze	BZ	316-L	SL	Duplex	DP						Actuator	A	

ORDERING EXAMPLE BY PART NUMBER

Wafer	Class 150	316SS	316SS	17-4ph	RPTFE	Graphite	Lever
Model	Pressure Class	Body	Disc	Stem	Seat	Stem Seal	Operator
BW	- 631	- SS	- SS	- S7	- R	- G	- L

For Complete bill of materials see page 6



DESIGN SPECIFICATIONS

STANDARDS OF COMPLIANCE

Body Style : 631/731 wafer and Lug models
Rating : ANSI Class 150/300
Applicable Flange Standard : ANSI B16.5
Valve Design : ASME B16.34, MSS SP-68 API 609
Anti-Blowout : API 609
Face to Face : API 609, MSS-SP-68, ISO 5752
Low Fugitive Emission , 15848-1/DIN-SP-143
ISO 15848: 51 2015, SIL 3, API 641 Pending Testing
Gland Packing System : MSS-SP-143, DIN 3780
Fire Safe : API 607 - 6th ISO 10497
Testing : API 598, ISO 5708, MSS-SP-68, API 609-13
Leakage : Soft Seat class, Bubble Tight
ISO Mounting : ISO 5211
SIL-3 Certified
Anti-Corrosion: NACE MRO175
Pressure-Temperature Rating : API 609 & ASME B16.24
Suitable Flanges
 ANSI: 150, 300 DIN (EN1092-1): PN10, 16, 20, 25, 40, & 50
 JIS: 10K, 16K, 20K, 30K, & 40K
Valve Materials: MEET NACE MR0175
Vacuum Rate: 0.2 mm Hg/20 microns
API-598 - ISO 5208 , API 641, ISO 15548
Gland Packing System: DIN 3780, MSS-SP-143
Quality STD: API Q1

COMPANY PROFILE

The Tri-Max is a heavy industrial, precisely operating valve. It was founded by Max-Seal and one of our Taiwanese partners with over 40 years of industrial experience and holds TUV, LR, SGS certificates and patents that were issued by authorities such as ISO 9001, CE Mark, API, APU, PED-H.

As a manufacturer, we specialize in manufacturing High Performance Double-Offset Butterfly Valves, Triple-Offset Metal Seated Butterfly Valves, high temperature valves, cryogenic valves, large control valves, field application consulting, ensuring a long life cycle for our valves.

Our team members are experts in the field of chemistry, petrochemical, pulp and paper, thermal power plants, air separation equipment, water treatment, LNG, nuclear powers, and aerospace industry. We have supplied the Tri-Max to Linde AE, US exotic oil Natural Gas (GE Oil & Gas), Brazil Braskem, Taiwan EVA AIR, China Steel, Dairen Chemical Corporation and other international companies.

Max-Seal's core valves are to deliver value to customers by providing high quality valves. By using PTC Creo Parametric CAD, advanced large scale CNC machines, a stable electronic quality control system. We are able to deliver a product with excellent performance, low torque, low sound levels, and a 2 million cycle ultra-high-cycle butterfly valve. Max-Seal is confident that we are one of the best butterfly valve manufacturers in the market.

Certifications

	Fugitive Emission:TUV ISO 15848-1	
	ISO 9001:2008	
	CE/PED Module H 2014/68/EU	
	CE/PED Module H 2014/68/EU	
	Fire Safe - ISO 10497:2010	
	Fire Safe - API 607:2010	
	Anti-Loose Lever Operator Ring Certificate Of Patent	
	Reliable Gear Operator Certificate Of Patent	
	Screwless Valve Retainer Ring Certificate Of Patent	

Low Fugitive Emission Gland Packing System
Compliant with latest DIN 3780 and MSS SP-143

Size Range:
 2" - 48"
ANSI Class:
 150/300

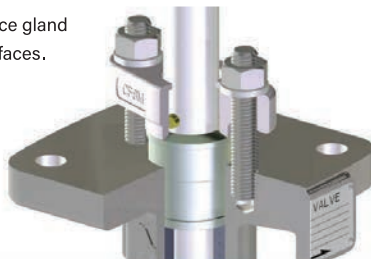


Exotic Alloy Materials Available
Consult Factory.

Gland Flange and Gland Bushing

A fully adjustable two-piece gland with spherical mating surfaces.

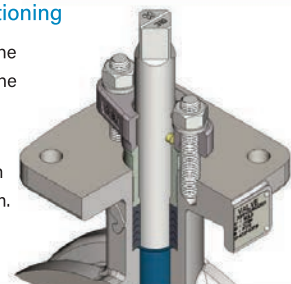
ISO-5211 Mounting



Long Gland Bush for Positioning

This long gland bush ensures the gland flange is always kept in the center while adjusting packing gland.

Preventing the gland bush from rubbing and jamming with stem.

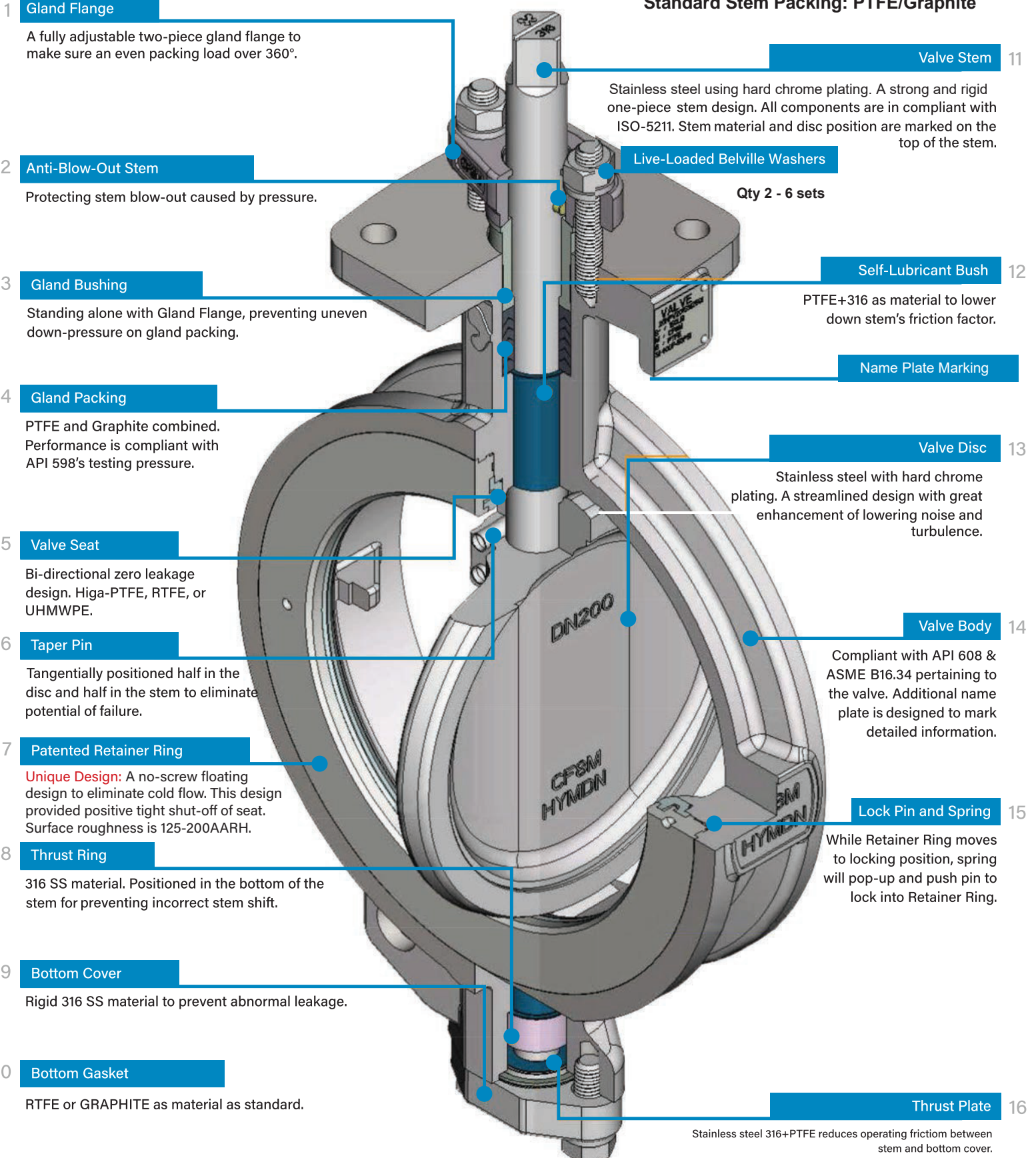


VALVE DESIGN FEATURES

Stainless steel using hard chrome plating. A strong and rigid

Max-Seal and Flo-Tite's high performance butterfly were introduced in 2000. The Max-Seal valve is the result of years of experience in design and manufacture of butterfly and ball valves.

Standard Seat: RPTFE 25% Carbon
Standard Stem Packing: PTFE/Graphite



1 Gland Flange

A fully adjustable two-piece gland flange to make sure an even packing load over 360°.

2 Anti-Blow-Out Stem

Protecting stem blow-out caused by pressure.

3 Gland Bushing

Standing alone with Gland Flange, preventing uneven down-pressure on gland packing.

4 Gland Packing

PTFE and Graphite combined. Performance is compliant with API 598's testing pressure.

5 Valve Seat

Bi-directional zero leakage design. High-PTFE, RTFE, or UHMWPE.

6 Taper Pin

Tangentially positioned half in the disc and half in the stem to eliminate potential of failure.

7 Patented Retainer Ring

Unique Design: A no-screw floating design to eliminate cold flow. This design provided positive tight shut-off of seat. Surface roughness is 125-200AARH.

8 Thrust Ring

316 SS material. Positioned in the bottom of the stem for preventing incorrect stem shift.

9 Bottom Cover

Rigid 316 SS material to prevent abnormal leakage.

10 Bottom Gasket

RTFE or GRAPHITE as material as standard.

Valve Stem 11

Stainless steel using hard chrome plating. A strong and rigid one-piece stem design. All components are in compliant with ISO-5211. Stem material and disc position are marked on the top of the stem.

Live-Loaded Belleville Washers

Qty 2 - 6 sets

Self-Lubricant Bush 12

PTFE+316 as material to lower down stem's friction factor.

Name Plate Marking

Valve Disc 13

Stainless steel with hard chrome plating. A streamlined design with great enhancement of lowering noise and turbulence.

Valve Body 14

Compliant with API 608 & ASME B16.34 pertaining to the valve. Additional name plate is designed to mark detailed information.

Lock Pin and Spring 15

While Retainer Ring moves to locking position, spring will pop-up and push pin to lock into Retainer Ring.

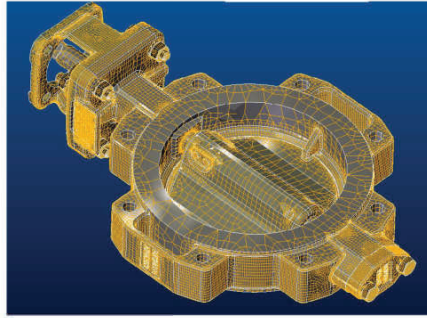
Thrust Plate 16

Stainless steel 316+PTFE reduces operating friction between stem and bottom cover.

UNIQUE HIGH TECH DESIGN FEATURES

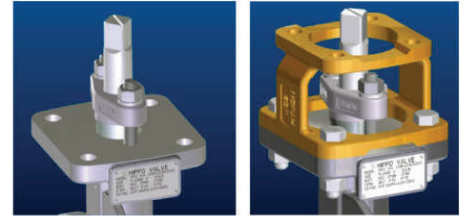
Valve Body

Max-Seal's HP Valves are designed 100% compliant with API 609 and ASME B16.34. Utilizing PTC Creo Parametric (Pro/E) Computer-aided-design in every component and results in the reliability.

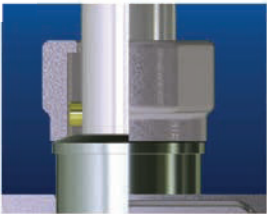


Top Mounting

Compliant with ISO 5211. Bracket designed with draining system for outdoor service.



Anti-Blow-Out Stem and Anti-Electrostatic System



An anti-blow-out design and anti-electrostatic system as standard are **compliant with** API 609 and ATEX.



Model:BL631-SS-SS	Rating:CL150
Size: 4 Inch	Trim:S7-R-T-N
Body:CF8M	Disc:CF8M
Seat:RTFE	
SN: H22062404-1 / PO#JH10608	

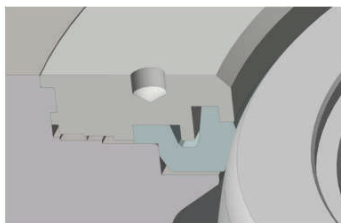
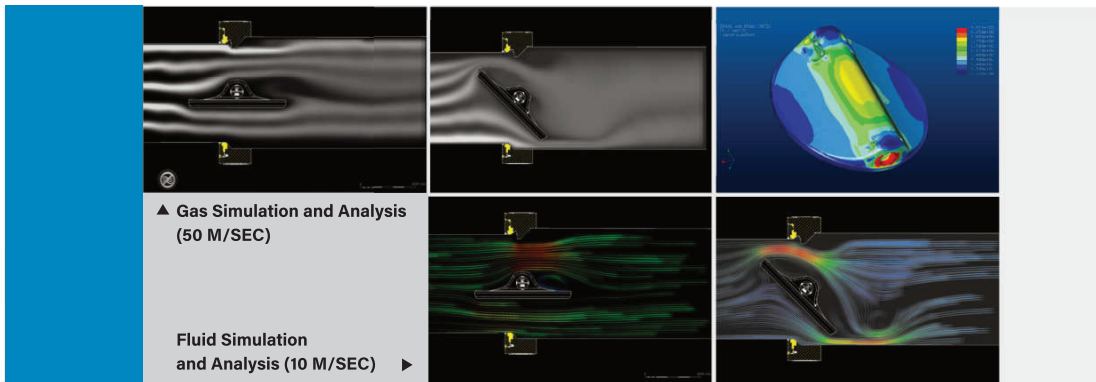
www.maxsealinc.com API#609-0009

Name Plate Marking

Max-Seal's tagging system is compliant with MSS-SP-25 & API 609.

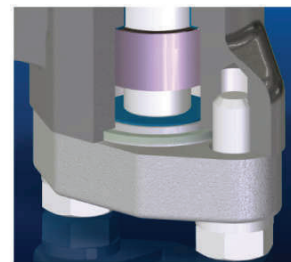
Valve Disc

The valve disc uses stainless steel with computer-aided PTC Creo Parametric software to analyze stress performance to achieve API 598. Based on advance 3D CAD simulation. Max-Seal developed a streamlined disc with lower noise and turbulence. Meanwhile, all our disc and stem surfaces are hard chrome plated. This feature significantly enlarges disc performance of anti-rubbing and anti-shocking which results in better life cycle.



Patented Retainer Ring

During installation, screwing this ring into internal tooth of the valve body, then a stainless-steel spring catches and the PTFE pin will pop-up to fix retainer ring and valve body in the correct position. This design enlarges the flange-gasket's contact surface, which reduces installation errors.



Thrust Ring for Positioning

A Rigid Thrust Ring keeps stem always in an accurate position.



Exploded View

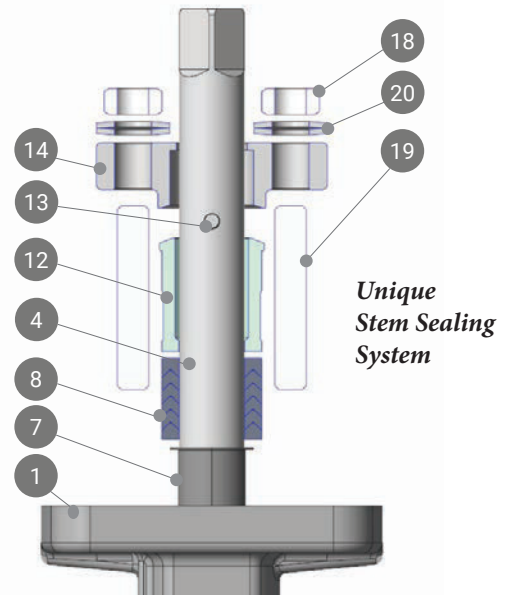
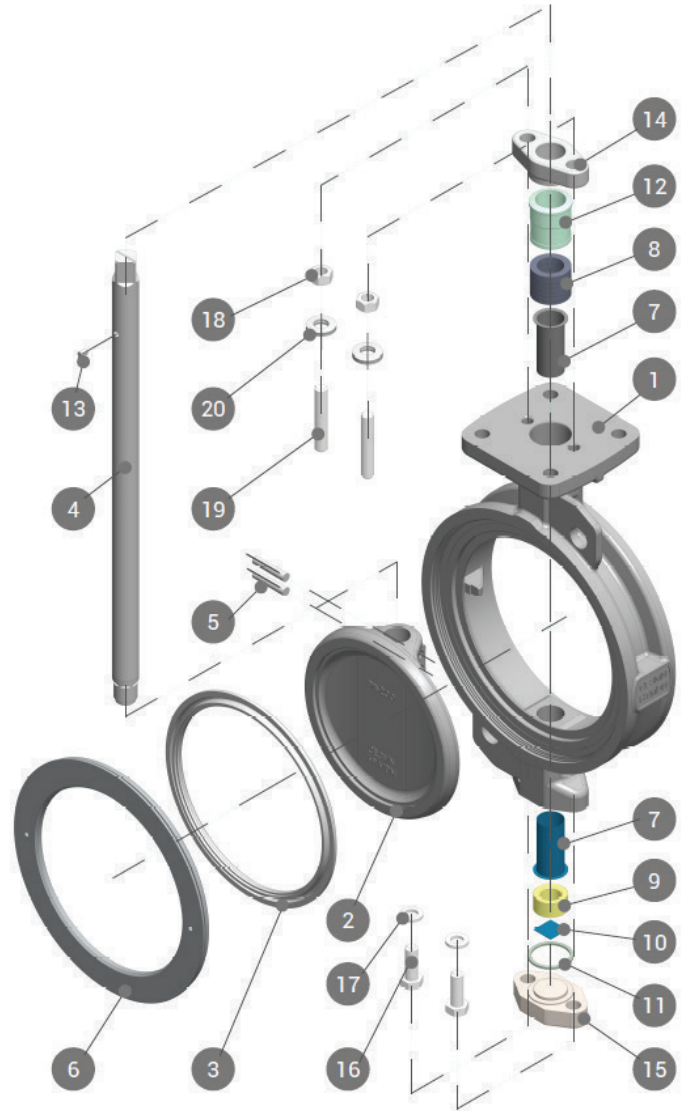
Material Of Construction

ITEM	NAME	MATERIAL		
1	Body	A216 Gr. WCB	A351 Gr. CF8	A351 Gr. CF8M
2	Disc	A351 Gr. CF8		A351 Gr. CF8M
3	Seat	RTFE (25% carbon) / SUPER TEK / MPTFE / Metal Seat (Inconel)		
4	Stem	A182 Gr. F6A (17-4 PH)	A182 Gr. F304	A182 Gr. F316
5	Taper Pin	A182 Gr. F316L		
6	Retainer Ring	(CS) A351 Gr. CF8	(ss) A351 . CF8M	
7	Stem Bushing	B-Woven Fabric Metal		
8	Gland Packing	PTFE/Graphite	TFE	
9	Thrust Ring	A351 Gr. CF8M		
10	Thrust Plate	B-Woven Fabric Metal		
11	Gasket	PTFE	TFE	Graphite
12	Gland Bushing	A351 Gr. CF8M		
13	Anti-Blow-Out Pin	A182 Gr. F316		
14	Gland Flange	A216 Gr. WCB	A351-CF8	
15	Bottom Cover	A216 Gr. WCB	A351 Gr. CF8	A351 Gr. CF8M
16	BOLT	304 SS		
17	WASHER	A240 Gr. 304		
18	NUT	304 SS		
19	STUD	304 SS		
20	BELLEVILLE SPRINGS	A240 Gr. 304		

Consult Factory for Options

Other Seat Options: PEEK, UHMWPE ,S-TEK

*Highlighted items are standard

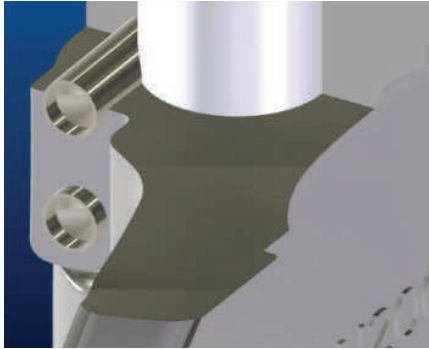
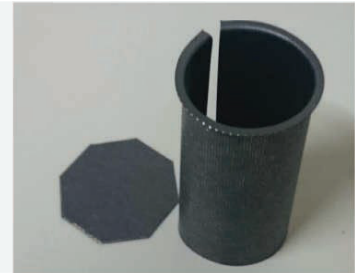


Specific descriptions, dimensions, and construction details illustrated may vary slightly from this bulletin. They are for general use only. We reserve the right to revise or modify the product design without prior notice.

State of the Art *HI-TEK* Designs

Self-Lubricant Bushing

Uses RTFE + SS 316 stem bushing. Has excellent working temperature, strength rating, and low friction factor. Maintains good seat sealing capability even after high-cycle operations.



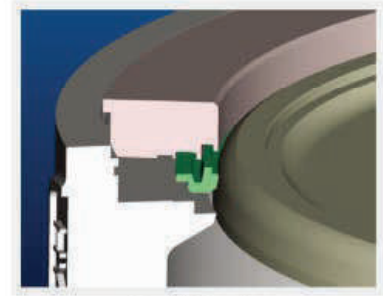
Taper Pin

Disc taper pins are tangentially positioned in the disc and half in the stem, placing them in compression rather than shear, which eliminates the potential of failure. This method is 3 times stronger than the traditional shear way.

Valve Seat

Max-Seal's Tri-Max Series design offers several types of seats such as: Soft Seat, Fire-Safe, and Metal Seat. The Pressure-Temperature Rating is compliant with API 609 using reliable section and corresponding floating seat to achieve bi-directional, drop-tight zero leakage closure throughout all pressure ranges, as well as full rated differential pressure. This design reduces rubbing and friction between disc and seat which significantly results in a longer life cycle. With Higa-PTFE, this Series can keep 285 PSI bi-directional zero leakage after 100,000 times of operations and it will even go higher while the valve is working in a vacuum environment. The retainer ring is phosphate coated for ease of installation. Cortex lines the inside of the retainer ring. The soft seated standard for the valve is suitable for [vacuum service to 20 microns](#).

Comparing to general PTFE, Super Tek has a 2.5 times higher Load-Deformation-Rate 1.5-4 times higher in Acide Alkaline Permeability, PTFE, RTFE, UHMWPE are available as well.



(A) < Standard Type >



(B) < Fire-Safe Type >

Severe Service

Metal seated valves are design to provide high performance service in abrasvie, dirty, and or high temperature applications. Inconel seats are standard, reaching temps of up to 650° F. Standard metal seats offer tight shut-off meeting - ANSI- FCI 70-2 Class V-VI leakage criteria.

Steam Service

Max-Seal's standard valves are ideally suited for saturated steam applications to 150 PSI. Steam carbon filled PTFE seats with high temperature graphite seals.



DIMENSIONAL DATA - 1

Lug Style

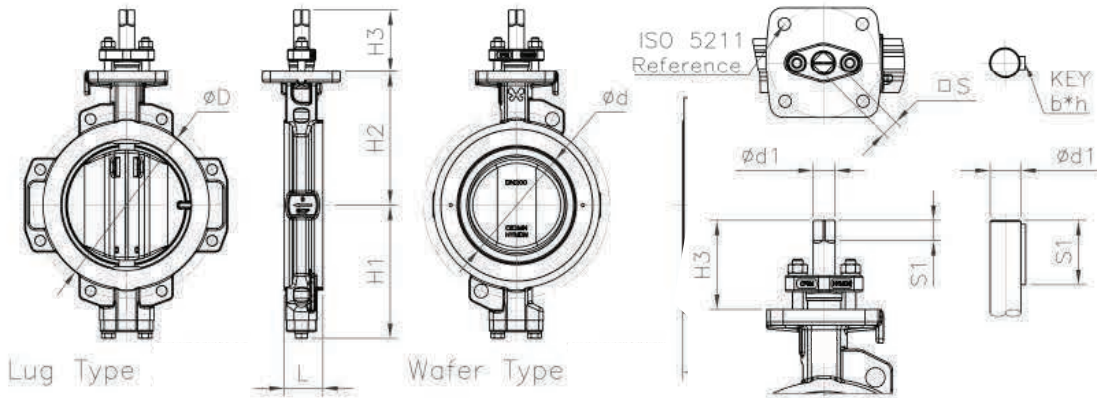
BL 631

BL731

Wafer Style

BW631

BW731



150LB

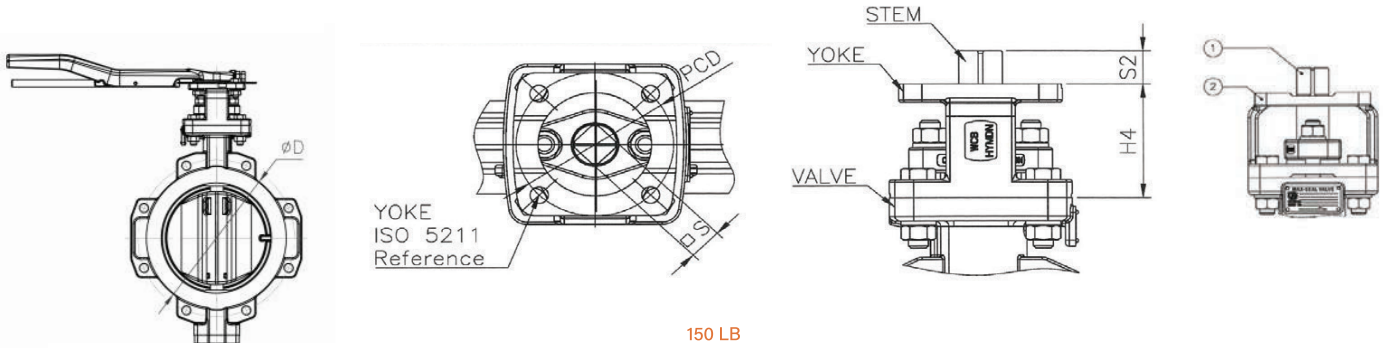
SIZE		L	L1	D	D1	d	H1	H2	H3	S1	d1	S (b*h)	ISO	Weight (lbs)		
DN	in													Wafer	Lug	Flange
50	2	1.77	-	3.74	5.91	1.81	4.65	5.04	3.39	0.71	0.71	0.55	F10	13	15	-
65	2.5	1.89	-	4.41	7.09	2.40	4.96	5.35	3.39	0.71	0.71	0.55	F10	15	18	-
80	3	1.89	4.40	4.96	7.48	2.99	5.28	5.51	3.39	0.71	0.71	0.55	F01	18	20	31
100	4	2.13	5.00	6.10	9.06	3.78	5.67	5.91	3.39	0.71	0.71	0.55	F10	20	29	42
125	5	2.24	-	7.24	10.04	4.65	7.01	6.69	3.50	0.83	0.87	0.67	F10	26	40	-
150	6	2.24	5.51	8.48	11.02	5.63	7.48	7.28	3.50	0.83	0.87	0.67	F10	31	44	62
200	8	2.44	5.98	10.51	13.58	7.40	8.43	8.46	3.98	0.91	0.98	0.75	F12	44	64	99
250	10	2.76	6.50	12.83	15.94	9.29	10.00	10.24	4.09	1.02	1.10	0.87	F12	71	104	139
300	12	3.19	7.01	14.76	19.09	11.06	11.73	11.42	5.08	1.22	1.38	1.06	F14	106	152	218
350	14	3.62	7.48	16.38	21.06	12.60	12.91	12.60	5.28	1.42	1.65	1.26	F14	143	203	282
400	16	4.02	8.50	18.90	23.43	14.61	14.84	14.57	6.22	1.57	1.97	1.42	F16	216	302	381
450	18	4.49	8.74	21.02	25.00	16.54	15.83	15.55	6.22	1.57	1.97	1.42	F16	289	381	454
500	20	5.00	9.02	23.15	27.56	18.46	17.20	16.93	6.61	1.97	2.36	1.81	F16	377	534	580
600	24	6.06	10.51	27.24	32.09	21.61	19.37	18.90	9.45	3.54	2.56	0.71*0.47	F25	606	833	893
700	28	6.50	11.50	31.50	36.50	25.79	22.44	21.85	9.65	3.74	2.95	0.79*0.47	F25	849	1157	1398
750	30	7.48	12.52	33.74	38.74	27.48	23.82	23.62	11.81	3.94	3.35	0.98*0.55	F30	1124	1367	1748
800	32	7.48	12.52	35.83	41.73	29.72	24.80	24.61	12.20	4.33	3.54	0.98*0.55	F30	1215	1693	2024
900	36	7.99	12.99	39.37	45.98	34.25	27.17	26.18	12.60	3.72	3.94	1.10*0.63	F30	1470	2112	2615
1000	40	8.50	16.14	43.90	50.75	37.13	30.24	30.12	14.17	5.12	4.53	1.26*0.71	F35	2064	2681	3468
1100	44	10.00	16.14	48.03	55.24	41.14	32.20	32.09	14.17	5.12	4.52	1.26*0.71	F35	2586	3362	4539
1200	48	10.00	18.50	52.36	59.45	45.08	34.80	34.65	14.17	5.12	4.92	1.42*0.79	F35	3084	3933	5194

300LB

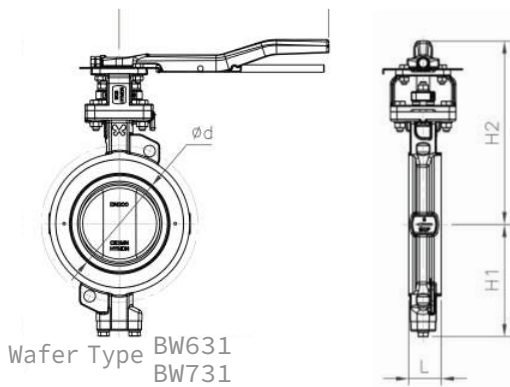
SIZE		L	L1	D	D1	d	H1	H2	H3	S1	d1	S (b*h)	ISO	Weight (lbs)		
DN	in													Wafer	Lug	Flange
50	2	1.77	-	3.75	-	1.81	4.65	5.04	3.39	0.71	0.71	0.55	F10	13	18	-
65	2.5	1.89	-	4.41	-	2.40	4.96	5.35	3.39	0.71	0.71	0.55	F10	15	20	-
80	3	1.89	4.49	4.96	7.48	2.99	5.28	5.51	3.39	0.71	0.71	0.55	F10	18	24	31
100	4	2.13	5.00	6.10	9.06	3.78	5.67	5.91	3.39	0.71	0.71	0.55	F10	20	29	42
125	5	2.24	-	7.24	-	4.65	7.01	6.69	3.50	0.83	0.87	0.67	F10	26	40	-
150	6	2.32	5.51	8.82	12.52	5.63	7.83	7.87	3.98	0.91	0.98	0.75	F12	40	57	93
200	8	2.87	5.98	11.02	15.00	7.40	9.21	9.45	4.09	1.02	1.10	0.87	F12	62	95	150
250	10	3.27	6.50	13.58	17.52	9.29	10.94	10.63	5.08	1.22	1.38	1.06	F14	115	157	209
300	12	3.62	7.01	15.55	20.51	11.06	12.52	12.20	5.28	1.42	1.65	1.26	F14	159	225	328
350	14	4.61	7.48	17.32	23.03	12.60	14.45	14.17	6.22	1.57	1.97	1.42	F16	231	355	423
400	16	5.24	8.50	19.49	25.51	14.61	15.43	15.16	6.61	1.97	2.36	1.81	F16	326	481	573
450	18	5.87	8.74	22.05	28.03	16.54	17.20	16.73	9.45	3.54	2.56	0.71*0.47	F25	472	697	908
500	20	6.26	9.02	24.49	30.51	18.46	18.31	17.72	9.65	3.74	2.95	0.79*0.47	F25	597	871	1160
600	24	7.13	10.51	28.35	36.02	21.61	21.06	20.87	12.20	4.33	3.54	0.98*0.55	F30	952	1418	1786



Dimensional Data for ISO Actuator Mounting



Lug Type BL631
BL731



Wafer Type BW631
BW731

150 LB
DN50-DN1200

SIZE		H4	S2	Yoke		Valve
mm	in			ISO	PCD	ISO
50	2	70	16	F07	70	F10
65	2.5	70	16	F07	70	F10
80	3	70	16	F07	70	F10
100	4	70	16	F07	70	F10
125	5	70	19	F07	70	F10
150	6	70	19	F07	70	F10
200	8	80	21	F10	102	F12
250	10	80	24	F10	102	F12
300	12	100	29	F12	125	F14
350	14	100	34	F12	125	F14
400	16	120	38	F14	140	F16
450	18	120	38	F14	140	F16
500	20	120	48	F14	140	F16
600	24	150	90	F16	165	F25
700	28	150	96	F16	165	F25
750	30	200	100	F25	254	F30
800	32	200	110	F25	254	F30
900	36	200	120	F25	254	F30
1000	40	230	130	F30	298	F35
1100	44	230	130	F30	298	F35
1200	48	230	130	F30	298	F35

TORQUE CHARTS

ANSI Class 150 LB Models BW631/BL631

in	mm	SOFT SEAT BAR/PSI						FIRE SAFE/ Metal SEAT BAR/PSI					
		Δ P 6BAR		Δ P 10BAR		Δ P 16BAR		Δ P 6BAR		Δ P 10BAR		Δ P 16BAR	
		Nm	in Lbs	Nm	in Lbs	Nm	in Lbs	Nm	in Lbs	Nm	in Lbs	Nm	in Lbs
2	50	16	142	20	177	24	212	23	204	26	230	29	257
2.5	65	18	159	21	186	26	230	27	239	35	310	38	336
3	80	21	186	27	239	32	283	32	283	38	336	47	416
4	100	26	230	31	274	41	363	44	389	52	460	61	540
5	125	32	283	47	416	69	611	62	549	77	682	100	885
6	150	45	398	62	549	93	823	83	735	103	912	135	1195
8	200	74	655	115	1018	175	1549	152	1345	182	1611	202	1788
10	250	117	1036	183	1620	281	2487	237	2098	272	2407	321	2841
12	300	189	1673	290	2567	441	3903	357	3160	411	3638	487	4310
14	350	284	2514	430	3806	583	5160	506	4478	587	5195	696	6160
16	400	417	3691	629	5567	852	7541	705	6240	827	7320	990	8762
18	450	522	4620	804	7116	1105	9780	906	8019	1070	9470	1289	11409
20	500	788	6974	1185	10488	1601	14170	1266	11205	1497	13250	1809	16011
24	600	1242	10993	1851	16383	2486	22003	1901	16825	2259	19994	2736	24216

ANSI Class 300 LB Models BW731/BL731

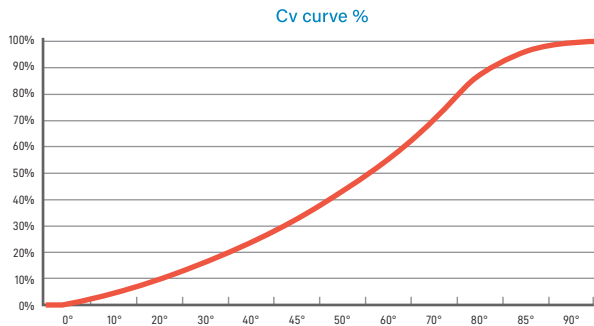
in	mm	SOFT SEAT BAR/PSI						FIRE SAFE/ Metal SEAT BAR/PSI					
		Δ P 20BAR		Δ P 30BAR		Δ P 40BAR		Δ P 20BAR		Δ P 30BAR		Δ P 40BAR	
		Nm	in Lbs	Nm	in Lbs	Nm	in Lbs	Nm	in Lbs	Nm	in Lbs	Nm	in Lbs
2	50	28	248	36	319	44	389	33	292	39	345	46	407
2.5	65	31	274	40	354	49	434	40	354	49	434	58	513
3	80	36	319	46	407	57	504	56	496	66	584	77	682
4	100	60	531	83	735	105	929	93	832	115	1018	137	1213
5	125	104	920	142	1257	179	1584	153	1354	190	1682	228	2018
6	150	152	1345	206	1823	261	2310	219	1938	274	2425	328	2903
8	200	462	4089	642	5682	822	7275	653	5780	833	7373	1014	8975
10	250	726	6426	1001	8860	1276	11294	995	8806	1269	11232	1544	13666
12	300	1075	9515	1474	13046	1874	16586	1430	12657	1829	16188	2228	19719
14	350	1676	14834	2276	20144	2875	25446	2138	18923	2737	24225	3337	29535
16	400	2278	20162	3112	27544	3947	34934	2892	25596	3727	32987	4562	40377
18	450	3131	27712	4266	37757	5401	47803	3897	34491	5031	44528	6166	54574
20	500	4871	43112	6625	58636	8378	74152	5924	52432	7678	71107	9430	83463
24	600	6606	58468	8984	79515	11362	100562	8034	71107	10412	92154	12789	113192

1. All above valve torques are sized as wet service, defined as lubricated clean and nonabrasive line medias. Torques contain a safety factor of 15%.
2. Installing seats in the upstream direction will result in lower torques and better life cycles.

Flow Coefficients & Technical Data



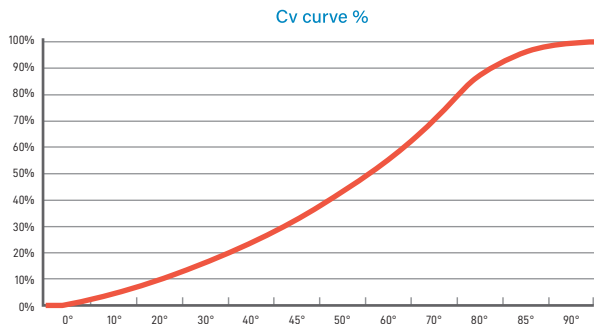
Cv FLOW COEFFICIENT



150LB

SIZE		Cv Value											
mm	in	10°	20°	30°	40°	45°	50°	60°	70°	80°	85°	90°	
50	2	0	8	22	36	44	51	60	69	72	70	70	
65	2.5	2	16	38	61	71	83	109	135	146	152	150	
80	3	6	33	62	94	108	118	143	176	208	230	227	
100	4	16	58	106	155	178	213	274	349	433	465	473	
125	5	20	94	167	230	263	310	391	488	561	604	605	
150	6	40	147	242	335	382	422	560	729	925	975	1010	
200	8	66	237	368	509	606	712	985	1296	1640	1715	2004	
250	10	139	390	595	807	963	1168	1606	2134	2814	3180	3199	
300	12	204	548	820	1138	1357	1591	2219	3067	4085	4484	4672	
350	14	264	674	972	1386	1658	1994	2840	3925	5164	5828	5947	
400	16	384	864	1196	1765	2155	2611	3755	5105	6975	7920	8182	
450	18	508	1092	1551	2341	2881	3522	5125	7134	9511	10599	11548	
500	20	626	1294	1792	2651	3304	4082	5919	8256	11429	13126	13813	
600	24	1047	2251	3178	4563	5543	6568	9277	12932	17093	18328	19021	

Cv FLOW COEFFICIENT FOR METAL SEATED VALVES



300LB

SIZE		Cv Value											
mm	in	10°	20°	30°	40°	45°	50°	60°	70°	80°	85°	90°	
80	3	6	33	62	94	108	118	143	176	208	230	227	
100	4	16	58	106	155	178	213	274	349	433	465	473	
125	5	20	94	167	230	263	310	391	488	561	604	605	
150	6	37	137	225	312	355	393	521	678	860	907	939	
200	8	62	220	343	473	563	662	916	1206	1525	1595	1864	
250	10	129	362	554	750	896	1087	1493	1985	2617	2957	2975	
300	12	190	510	762	1059	1262	1480	2064	2852	3799	4170	4345	
350	14	246	627	904	1289	1542	1854	2641	3650	4803	5420	5531	
400	16	357	803	1112	1642	2004	2428	3492	4748	6487	7365	7609	
450	18	473	1015	1442	2177	2679	3275	4766	6634	8845	9857	10739	
500	20	583	1204	1667	2466	3073	3797	5504	7678	10629	12207	12846	
600	24	974	2093	2956	4244	5155	6108	8627	12027	15897	17045	17689	

Temperature		Class 150				Class 300			
		PTFE		RPTFE		PTFE		RPTFE	
°F	°C	psig	bar	psig	bar	psig	bar	psig	bar
-20 to 100	-29 to 38	285	19.7	285	19.7	740	51	740	51
150	66	273	18.8	273	18.8	708	48.8	708	48.8
200	93	260	17.9	260	17.9	550	37.9	675	46.3
250	121	245	16.9	245	16.9	425	29.3	530	36.5
300	149	230	15.9	230	15.9	300	20.7	390	26.9
350	177	140	9.7	215	14.8	175	12.1	250	17.2
400	204	50	3.4	100	6.9	50	3.4	100	6.9

ASME 150LB

ASME 300LB

Size		Model V11 / V13 / V15		Model V21 / V23 / V25	
inch	mm	lb-in	Nm	lb-in	Nm
2	DN50	1089	123	3850	435
2.5	DN65	1089	123	3850	435
3	DN80	1089	123	3850	435
4	DN100	1089	123	3850	435
5	DN125	1938	219	6850	774
6	DN150	1938	219	9576	1082
8	DN200	2708	306	14893	1683
10	DN250	4213	476	27478	3105
12	DN300	7770	878	34372	3884
14	DN350	9717	1098	65212	7369
16	DN400	18443	2084	136089	15378
18	DN450	18443	2084		
20	DN500	38478	4348	C/F	C/F
24	DN600	38877	4393		

Remark

- The strength calculation of each flange according to default shaft material
- ASME 150LB ASTM A182 Gr. F316
- ASME 300LB ASTM A564 17-4ph H1150D

Metal Seated Valves

*10" and below sizes Class V to Class VI shut offs
*12" and up Class IV shut off

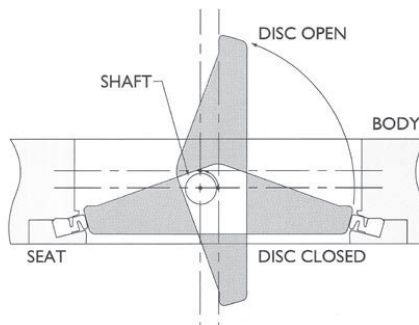
*Standard soft seated valve up to 446°F Temperature

*Reach high Temperature Up to 1000° F with Inconel Metal Seats
C/F for Temperature over 650° F

Low Temperature down to -40° F C/F for Cryo Designs

Eccentric Double Offset Design Seating

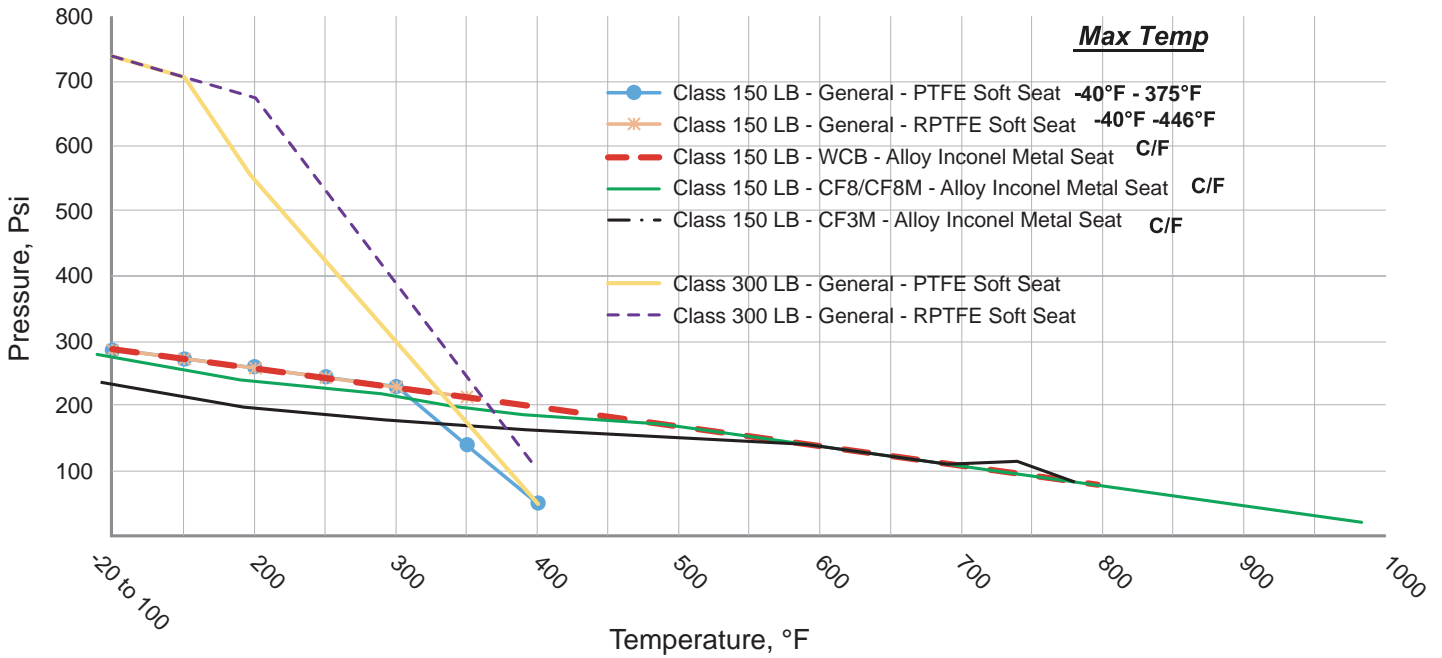
The double offset shaft/disc design ensures bi-directional sealing throughout the full pressure range of the valve. The cam-like action produced by the offset stem and disc, effectively lifts the disc off the seat during the initial opening of the valve, reducing seat wear and eliminating seat deformation at the top and bottom. When the disc is in the open position, there is no contact between the disc and seat. Operating torques are reduced and seat life is extended.



Max-Seal's High Performance Tech Data



PRESSURE-TEMPERATURE RATING FOR SOFT SEATS AND METAL SEATS



Consult factory for temps lower than -40°F or higher than 650°F

Steam Service

Carbon filled TFM seats and high temp. graphite stem packing can handle pressure up to 200 psig steam.

Body and Seat Temperature		Class 150										Class 300			
		General (a)				WCB	CF8/CF8M	CF3M	General (a)						
		PTFE		RPTFE		AMS 5596 Alloy Inconel (b)								PTFE	
°F	°C	psig	bar	psig	bar	psig	bar	psig	bar	psig	bar	psig	bar	psig	bar
20 to 100	29 to 38	285	197	285	197	285	197	275	189	230	159	740	51	740	51
150	66	273	188	273	188	273	188	265	176	313	147	708	78.8	708	58.8
200	93	260	179	260	179	260	179	235	162	195	134	550	37.9	675	46.5
250	121	245	169	245	169	245	169	225	155	185	128	425	29.3	530	36.5
300	149	230	159	230	159	230	159	215	149	175	121	300	20.7	300	26.9
350	177	140	97	215	148	215	148	195	134	168	116	175	12.1	250	17.2
400	204	50	34	100	69	200	138	183	126	150	110	80	3.4	100	6.9
500	260			(c)	(c)	170	117	170	117	150	103			(c)	(c)
600	316					140	97	140	97	140	97				
650	343					125	86	125	86	125	86				
700	371					110	76	110	76	110	76				
750	390					95	66	96	66	110	76				
800	427					80	55	80	55	80	55				
850	454					(d)	(d)	66	45	(c)	(c)				
900	482					(d)	(d)	50	34						
950	510					(d)	(d)	35	24						
1000	538					(d)	(d)	20 (f)	14 (f)						

- (a) General carbon steel and stainless steel
- (b) AMS 5596 Inconel represents Aerospace Material Specification level Inconel 718
- (d) RPTFE covers instantaneous 500°F depends on working condition
- (s) Above 800°F the carbide phase of WCB might be transed to graphite. Workable but not suggested
- (e) Shall not be used over 800°F
- (f) From 1000°F, shall only use CF8/CF8M with carbon content equals/greater than 0.04%. For temperature range between 1000°F to 1500°F, contact engineering sales for further details.

Special descriptions, dimensions and construction details illustrated may vary slightly from this bulletin. They are for general use only. We reserve the right to revise or modify product design without prior notice.

Butterfly Valve Packages shipping Daily

Resilient Seated, DI Valves, PFA lined, AWWA Valves, High Performance, Double Offset, Triple Offset...



Max-Seal offers a broad line of Automation for precise proportioning or on-off control in either Pneumatic or Electrically powered units.

RESILIENT SEATED BUTTERFLY VALVES

Performance Series
Available in Water and Log Style

Max-Seal Performance Series valves are designed and manufactured in accordance with the requirements of ASCE CFR 40 Category A.

MODELS:
Type 21
Log 50

SIZE RANGE:
2" - 36"

PRESSURE RATING:
2" - 12" 250 WOG / Bidirectional Flow
14" - 24" 175 WOG / Bidirectional Flow
26" WOG - Optional - Unidirectional Flow

UNIQUE DESIGN FEATURES:

- Double Flange Body
- Rugged Heavy Duty Construction
- High Quality Epoxy Coating for Superior Corrosion Resistance
- 2 Piece Stem Design Allows for Easy Assembly and Maintenance with Higher Flow Capacity
- ISO Actuator Mounting

AVAILABLE DISC:

- 316 Stainless Steel, CE/Nylon coated, Aluminized Inconel
- Special Alloys Available

Max-Seal Concrete Butterfly Valves are backed by the resources and experience of over thirty five years of process valve and automation knowledge.

www.maxsealinc.com

PTFE Lined Butterfly Valves

CHEM-FLO SERIES
PTFE Lined Valves Designed for High Corrosion, High Purity

Model:
21 Valve Type
51 Log Type

Size Range:
2" - 36"

Pressure Rating:
2" - 12" 250 WOG
14" - 24" 175 WOG
26" 150 WOG

Materials:
Double Flange Body
Open or Inconel Stem
and Special Alloys

ISO 5011 Stem
(Optional)

Typical Applications

- Petrochemical
- Desalination
- Sea Water
- Pulp and Paper
- Textile Industry
- Palm-Channel
- Acid Processing
- Steam Condensate
- Mining and Metall
- Paper and Pulp
- Pharmaceutical Industry
- Chemical Process Industry

Design Advantages

- 2 Piece Body Design
- Easy to Assemble
- Flomatic Rugged Seats
- 2 Piece Stem Design
- Open Sealed Body
- Low Operating Torque
- Standard Stem
- 2 Piece Stem Design

Max-Seal, Inc. 910-738-2866
910-738-1738

AWWA Performance Butterfly Valves

Max-Seal's AWWA Series
Double Flanged Design

Form A: Class 150 & 250 & 300
Form B: 300, 350, 400, 450, 500, 600

Size Range: Class 150 8" - 36"
Class 250 8" - 36"

SEMI-LOG BUTTERFLY VALVES

Chem-Tek Series
Corrosion Resistant Stainless Steel Body

Model: 51
Size Range: 2" - 12"

Pressure Rating:
ASME Class 250 WOG
ASME Class 150 WOG
PTFE Seal: 200 WOG
PTFE Seal: 150 WOG

Max-Seal Concrete Butterfly Valves are backed by the resources and experience of over thirty five years of process valve and automation knowledge.

Design Advantages

- Semi-Log Body Design
- Flomatic Rugged Seats
- Low Operating Torque
- Standard Stem
- 2 Piece Stem Design

Max-Seal, Inc. 910-738-2866
910-738-1738

Triple Offset Butterfly Valves

TOV Series

Pressure Range:
150/300 Class
Size Range:
2" - 48"

Max-Seal, Inc. 910-738-2866
910-738-1738

3 VALVES IN ONE



OUR STANDARD SOFT SEATED VALVE CAN BE UPGRADED TO INCONEL METAL SEATED VALVE OR FIRE SAFE DESIGN

Upgrade Your Valve with these Easy to Install Conversion Kits.

STATE OF THE ART UNIQUE DESIGN



Tri-Max Series