



One & Two Piece FULL BORE* FIRE SAFE BALL VALVES

FLOTRON SERIES

MODELS

Seal Weld (1PC)

S3000 - SS Stainless Steel

S3000 - CS Carbon Steel

Optional:

Full Port (2PC)

T3000 - SS Stainless Steel

T3000 - CS Carbon Steel

3000 WOG

Size: 1/4" - 3"

2" is not full bore*

THREADED ENDS

ANSI B1-20-1 NPT



FLOTRON SERIES
STANDARD PRODUCT NUMBER
S3000-SS-DGG-L
S3000-CS-DGG-L



Design Features:

- Seal welded body (S3000 only)
- Blow-out proof stem design
- NACE MR0175-90
- Heavy duty, rugged construction
- Live-loaded stem packing
- Lockable handles
- API 607-7th edition firesafe
- Anti-static ground
- Actuator mounting pad
- Casting traceability
- Foundry heat # for all valves
- Metal name plates identify all soft parts

Seal Welded Design (S3000 only)

Eliminates the possibility of the body tail piece unthreading. This design eliminates any possible leakage at the body joints, assuring safe pressure containment.

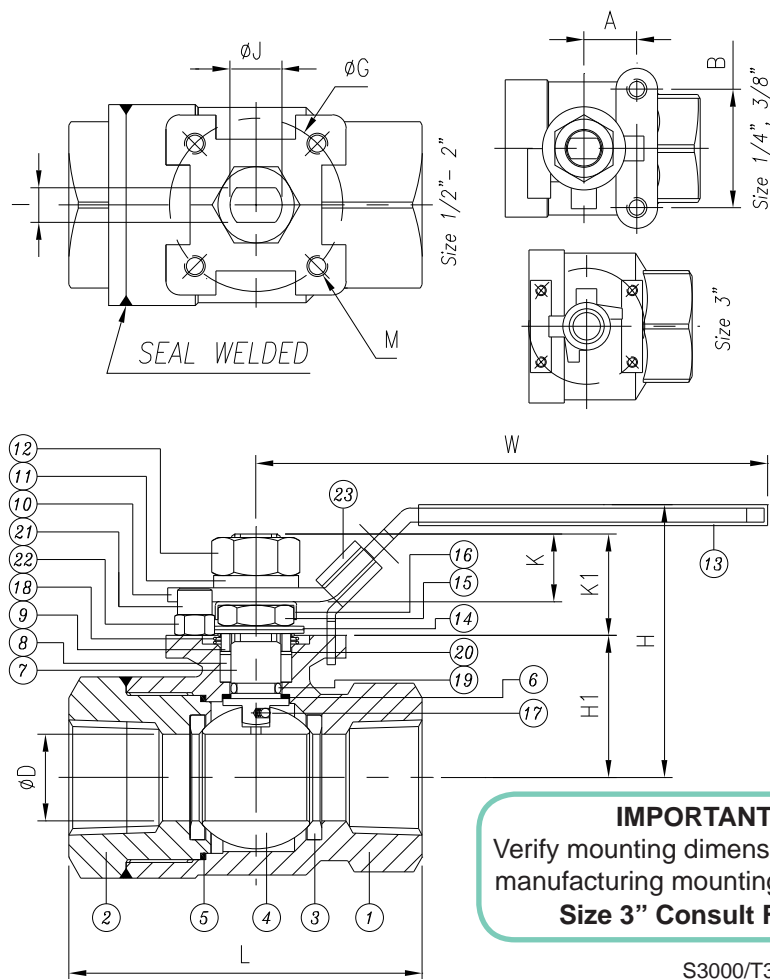
Automatic welding equipment is used for welding body joints. The welding width is always uniform and the weld penetration is consistent. During the seal welding process, our equipment maintains a consistent water flow inside the valve, assuring a safe temperature, preventing damage to all valve seats and seals.

Standard valve seating is Delrin. Inquiries of other special seating material, please consult factory.

Ideal for hydraulic, petrochemical, and many other industries that require high pressure shut-off valves.

www.flotite.com

Design and Technical Data



Bill of Materials

No.	Parts	S3000SS / T3000SS	S3000CS / T3000CS	Qty
1	Body	ASTM A351 CF8M	ASTM A216 WCB	1
2	End Cap	ASTM A351 CF8M	ASTM A216 WCB	1
3	Seats	# Delrin	Delrin	2
4	Ball	ASTM A351 CF8M	ASTM A351 CF8	1
5	Gasket	# Graphite	Graphite	1
6	Thrust Washer	# PTFE	PTFE	1
7	Stem	17-4PH / SS316	17-4PH / SS304	1
8	Stem Packing	# Graphite	Graphite	1
9	Gland	SS304	SS304	1
10	Handle	SS304	Zinc Plated CS	1
11	Handle Washer	SS304	SS304	1
12	Handle Nut	SS304	SS304	1
13	Handle Cover	PVC	PVC	1
14	Belleville Washers	SS301	SS301	2
15	Packing Nut	SS304	SS304	1
16	Nut Lock	SS304	SS304	1
17	Anti-Static Device	ASTM A276 316	ASTM A276 304	1
18	Anti-Static Spring	SS301	SS301	1
19	O - Ring	# Viton	Viton	1
20	Packing Protector #	25% Carbon PTFE	25% Carbon PTFE	1
21	Stop Screw	SS304	Carbon Steel	1
22	Nut	SS304	Carbon Steel	1
23	Locking Device	SS304	Zinc Plated CS	1

Parts included in repair kits, T3000 only

IMPORTANT:
Verify mounting dimensions before manufacturing mounting hardware
Size 3" Consult Factory

FloTron Series
S3000 - 1PC (Seal Weld)
T3000 - 2PC (Repairable)

Fire Safe Design Feature:

S3000 valves are supplied as standard with graphite stem packing and body seal. Valves are certified fire safe. In the event of fire, after heat destroys the primary resilient seat, the ball makes contact with the secondary metal seat, forming a secure seal. The graphite body seal prevents external leakage. The graphite live-loaded stem packing prevents stem leakage. All valves have anti-static devices as standard, grounding ball and stem to body.

S3000/T3000 Series valves comply with ANSI B16.34
All valves are tested in accordance with ANSI B16.34 & API598.
Threaded End Connections meet ASME/ANSI B1.20.1 NPT.
All S3000/T3000 Series Valves Are Marked with CE
Vacuum service standard valve to 25 torr.
Specially prepared valve to 20 microns Hg

Repair Kits Include:

Parts	S3000 / T3000
Seat	Delrin
Gasket	Graphite
Thrust Washer	PTFE
Stem Packing	Graphite
O - Ring	Viton
Packing Protector	25% Carbon PTFE

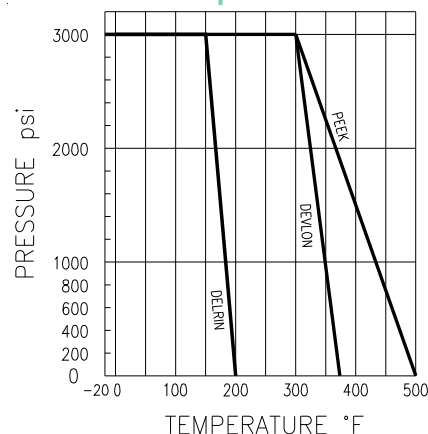
Dimensions and Weights

Apply to both models T3000 SS/CS & S3000 SS/CS

SIZE	A	B	D	G	H	H1	I	J	K	K1	L	M	W	Weight lbs	Torque in-lbs	Cv
1/4"	0.50	1.12	0.37	-	2.19	0.71	0.20	0.31	0.31	0.81	2.52	M5	3.70	0.90	131	7
3/8"	0.50	1.12	0.37	-	2.19	0.71	0.20	0.31	0.31	0.81	2.52	M5	3.70	0.80	131	8
1/2"	n/a	n/a	0.49	1.42	2.17	0.96	0.20	0.31	0.31	0.53	2.83	M5	5.31	1.10	150	10
3/4"	n/a	n/a	0.79	1.65	2.66	1.32	0.33	0.47	0.53	0.79	3.50	M5	6.30	2.20	267	35
1"	n/a	n/a	0.98	1.97	3.33	1.61	0.39	0.55	0.77	1.14	4.02	M6	6.89	3.60	553	68
1 1/4"	n/a	n/a	1.26	1.97	3.52	1.79	0.39	0.55	0.81	1.20	4.57	M6	6.89	5.40	1109	110
1 1/2"	n/a	n/a	1.50	2.76	4.61	2.39	0.47	0.75	1.18	1.56	4.88	M8	9.57	8.90	1541	155
2" *	n/a	n/a	1.50	2.76	4.61	2.39	0.47	0.75	1.18	1.56	5.51	M8	9.57	10.3	1658	155
3"	n/a	n/a	3.15	4.02	6.04	3.86	0.63	0.98	1.34	2.03	8.07	M10	14.57	37.5	3318	600

* Standard Bore

Pressure/Temperature Chart



Flo-Tite, Inc.
4815 West 5th St.
Lumberton, NC 28358

P. O. Box 1293
Lumberton, NC 28359
Website: www.flotite.com

Tel: (910) 738-8904
Fax: (910) 738-9112
E-mail: sales@flotite.com