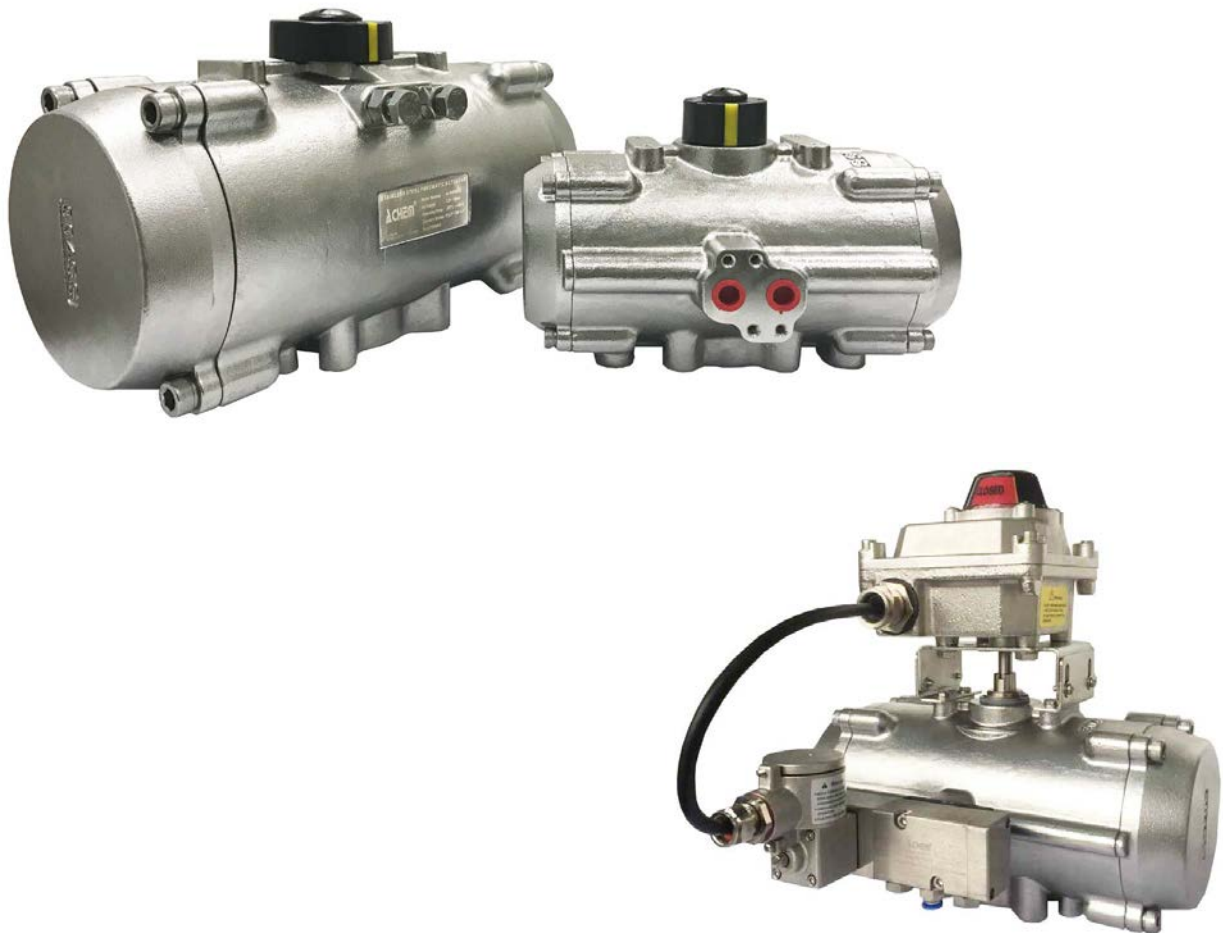




Stainless Pneumatic Actuators

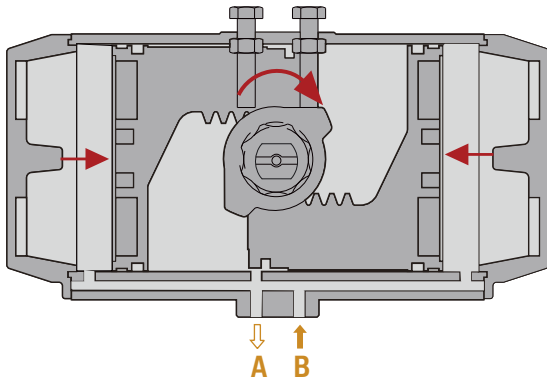
INOX Series II



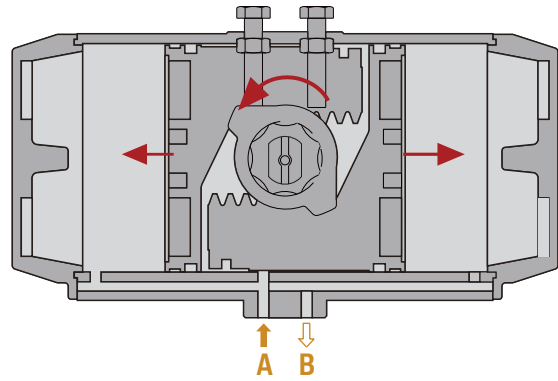
- Rack and Pinion Design - Spring Return & Double Acting
- Torque Range 130 in-lbs thru 72,000 in-lbs
- The body and end caps are investment casting made of stainless steel 304/316
- Independent Travel Stop Adjustment Range of 5° for the 90° Rotation
- Conforms to latest ISO 5211 and NAMUR standards

SS Series rack and pinion actuators are stainless steel actuators suitable for use in corrosive environments. This newly designed stainless steel actuator has been proved with long cycle life for the most demanding applications such as marine and offshore, chemical processing, pulp and paper, food and beverage, as well as petrochemical industries.

■ Double Acting (R-closed)

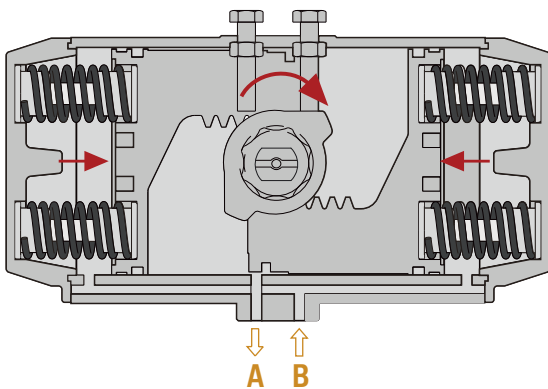


By supplying air to Port B, pressure is applied to the outside chamber and drives the dual pistons inward. The action causes the pinion to turn clockwise while the air is being exhausted from Port A.

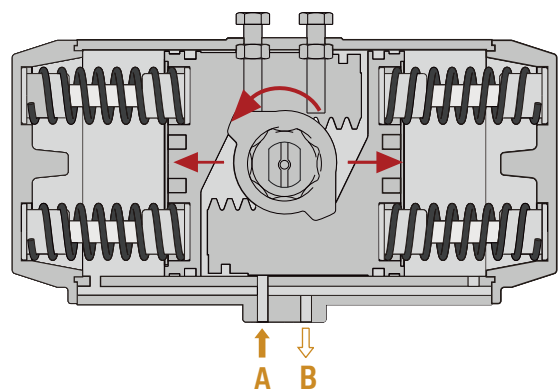


By supplying air to Port A, pressure is applied to the center chamber and forces the dual pistons outward. Linear piston force is transferred via gear racks to the pinion gear, causing the pinion to turn counterclockwise while the air is being exhausted from Port B.

■ Spring Return (R-closed, fail closed)

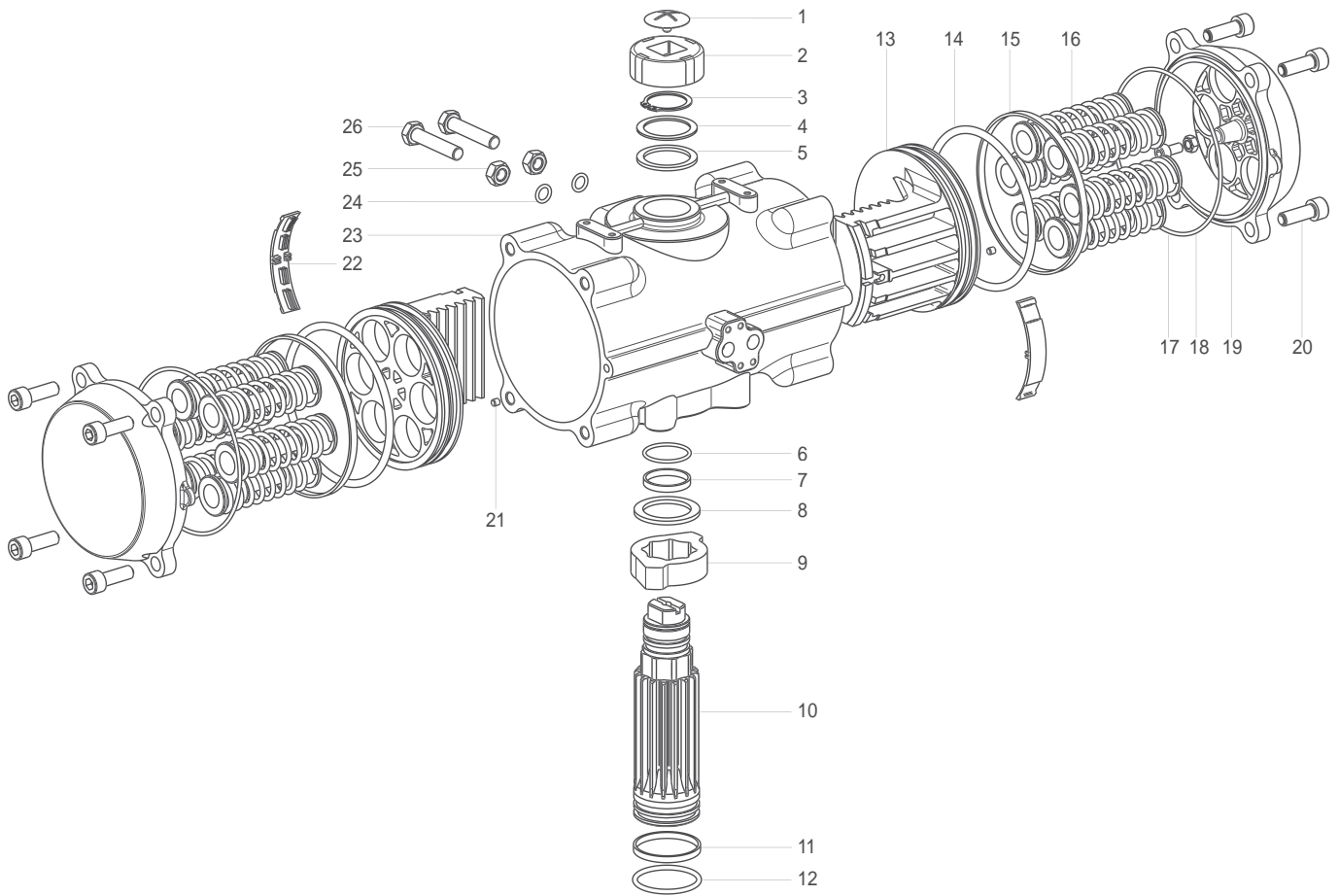


Upon loss of air pressure, the stored energy in the compressed springs forces the pistons inwards producing rotary motion with exhaust air exiting at Port A. This "fail safe" position is held by spring force until air pressure reapplied to Port A.



Upon loss of air pressure, the stored energy in the compressed springs forces the pistons inwards producing rotary motion with exhaust air exiting at Port A. This "fail safe" position is held by spring force until air pressure reapplied to Port A.

Materials of Construction



No.	Part	Qty.	Material
1	Indicator Screw	1	Plastic
2	Indicator	1	Plastic
3	Snap Ring	1	Stainless Steel
4	Washer	1	Stainless Steel
5	Outside Washer	1	Delrin
6	O-ring (Pinion Top)	1	NBR / L NBR / Viton
7	Bearing (Pinion Top)	1	Delrin
8	Inside Washer	1	Delrin
9	Cam	1	Stainless Steel (316 / 304 on requiring)
10	Pinion	1	Stainless Steel (316 / 304 on requiring)
11	Bearing (Pinion Bottom)	1	Delrin
12	O-ring (Pinion Bottom)	1	NBR / L NBR / Viton
13	Piston	2	Stainless Steel (316 / 304 / Alu. on requiring)
14	O-ring (Piston)	2	NBR / L NBR / Viton

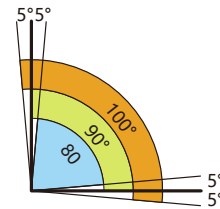
No.	Part	Qty.	Material
15	Bearing (Piston)	2	Delrin
16	Cartridge Spring	0-12	Spring Steel
	Spring Retainer (L & R)		Nylon 66
	Retainer Connector		Stainless Steel/ Brass
17	O-ring (End Cap)	2	NBR / L NBR / Viton
18	Stop Screw	2	Stainless Steel
19	End Cap	2	Stainless Steel (316 / 304 on requiring)
20	Screw (End Cap)	8	Stainless Steel
21	Plug	2	NBR / L NBR / Viton
22	Guide Piston	2	Nylon 66
23	Body	1	Stainless Steel (316 / 304 on requiring)
24	O-ring (Adjust Screw)	2	NBR / L NBR / Viton
25	Nut (Adjust Screw)	2	Stainless Steel
26	Adjust Screw	2	Stainless Steel

Ordering Guide

<p>SS</p> <p>Code of SS stainless steel pneumatic actuator</p>	<p>DA</p> <p>Acting Type DA - Double Acting SR - Spring Return</p>	<p>45</p> <p>Size of the Actuator</p> <table border="0"> <tr><td>45</td><td>140</td></tr> <tr><td>52</td><td>160</td></tr> <tr><td>63</td><td>190</td></tr> <tr><td>75</td><td>210</td></tr> <tr><td>83</td><td>240</td></tr> <tr><td>92</td><td>270</td></tr> <tr><td>105</td><td>300</td></tr> <tr><td>125</td><td>400</td></tr> </table>	45	140	52	160	63	190	75	210	83	240	92	270	105	300	125	400
45	140																	
52	160																	
63	190																	
75	210																	
83	240																	
92	270																	
105	300																	
125	400																	

Stroke Adjustment:

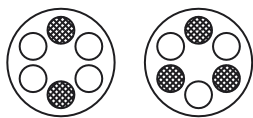
Stroke Adjustment: Pinion stops allow $\pm 5^\circ$ adjustment at 0° and 90° .



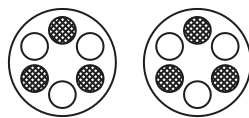
Even spring set is recommended for high cycle application.

Installation of Springs for Spring Return Actuator

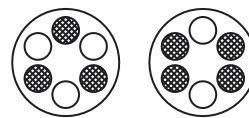
High performance pre-loaded spring cartridges allow for greater safety and longer spring life. Double acting can be easily changed to spring return, or vice versa by adding and removing the spring cartridges. Different torque requirements can also be easily achieved by changing the quantities of the springs.



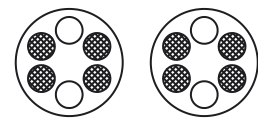
5 Springs



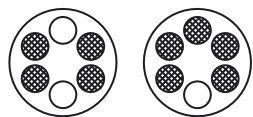
6 Springs



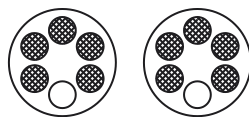
7 Springs



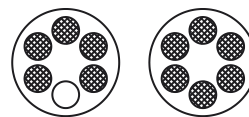
8 Springs



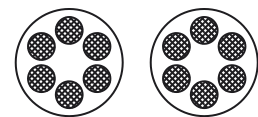
9 Springs



10 Springs



11 Springs



12 Springs

Operating Conditions

1. Operating Media:

Dry and lubricated air, or non-corrosive gas. The maximum particle diameter must be less than $40\mu\text{m}$.

2. Air Supply Pressure:

The minimum supply pressure is 30 psi. The maximum supply pressure is 145 psi.

3. Operating Temperature:

Standard (NBR O-ring): $-4^\circ\text{F} \sim 175^\circ\text{F}$
 Low Temperature (L NBR O-ring): $-30^\circ\text{F} \sim 175^\circ\text{F}$
 High Temperature (Viton O-ring): $5^\circ\text{F} \sim 300^\circ\text{F}$

4. Travel adjustment:

Has adjustment range of $\pm 5^\circ$ at 0° and 90° position.

5. Lubrication:

Under normal operating condition, new additional lubrication is not required.

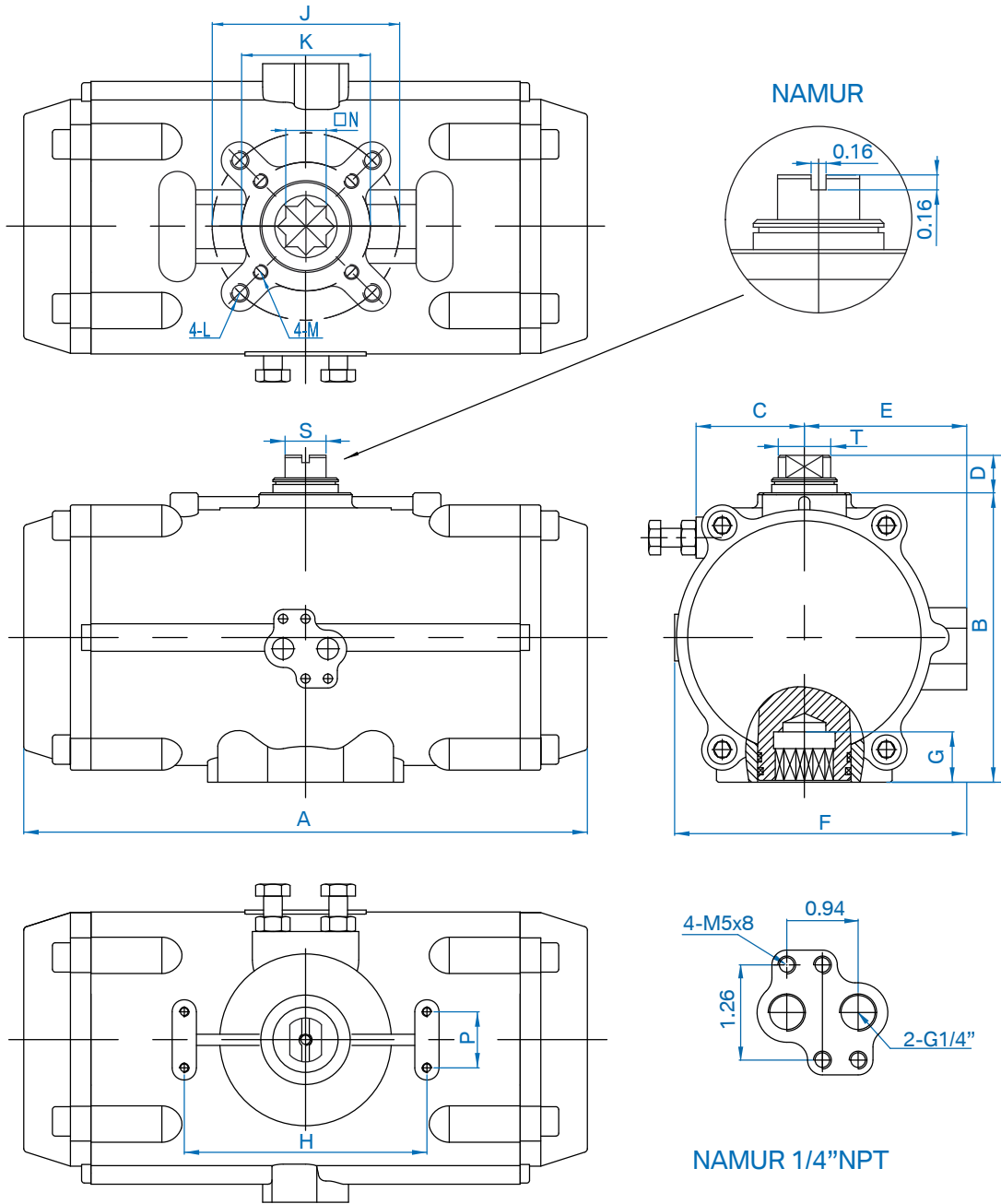
6. Application:

Either indoor or outdoor.



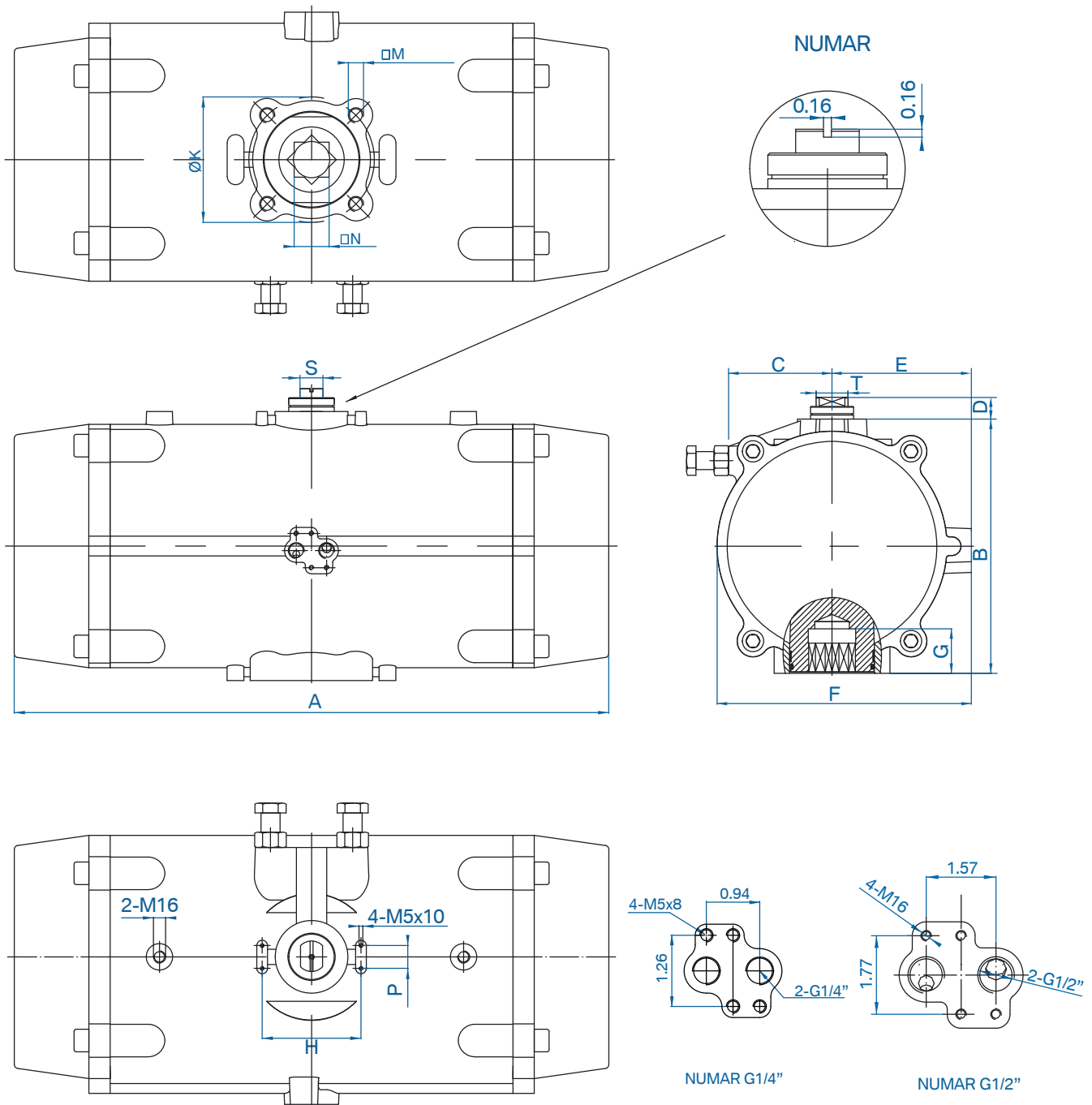
Dimensions

SS-45~160



Model	A	B	C	D	E	F	G	H	P	N	J	K	L	M	S	Unit	inches	ISO5211
SS-45	5.24	2.52	1.10	0.79	1.73	2.76	0.51	3.15	1.18	0.43	Ø1.97	Ø1.42	M6x10	M5x7.5	0.47	Ø0.55	F03 / F05	
SS-52	5.75	2.83	1.18	0.79	1.85	3.11	0.51	3.15	1.18	0.43	Ø1.97	Ø1.42	M6x10	M5x7.5	0.47	Ø0.55	F03 / F05	
SS-63	6.81	3.46	1.42	0.79	2.13	3.66	0.71	3.15	1.18	0.55	Ø2.76	Ø1.97	M8x13	M6x10	0.47	Ø0.55	F05 / F07	
SS-75	7.24	3.92	1.73	0.79	2.42	4.15	0.79	3.15	1.18	0.55	Ø2.76	Ø1.97	M8x13	M6x10	0.47	Ø0.55	F05 / F07	
SS-83	8.31	4.25	1.89	0.79	2.58	4.47	0.75	3.15	1.18	0.67	Ø2.76	Ø1.97	M8x13	M6x10	0.47	Ø0.63	F05 / F07	
SS-92	10.31	4.65	1.93	0.79	2.87	4.94	0.87	3.15	1.18	0.67	Ø2.76	Ø1.97	M8x13	M6x10	0.79	Ø0.63	F05 / F07	
SS-105	10.63	5.24	1.97	0.79	3.03	5.39	1.02	3.15	1.18	0.87	Ø4.02	Ø2.76	M10x16	M8x13	0.79	Ø0.63	F07 / F10	
SS-125	11.89	6.10	2.28	1.18	3.43	6.16	1.06	5.12	1.18	0.87	Ø4.02	Ø2.76	M10x16	M8x13	0.79	Ø1.10	F07 / F10	
SS-140	15.51	6.77	2.72	1.18	3.76	6.79	1.26	5.12	1.18	1.06	Ø4.92	Ø4.02	M12x20	M10x16	0.79	Ø1.10	F10 / F12	
SS-160	17.95	7.80	2.95	1.18	4.17	7.68	1.26	5.12	1.18	1.06	Ø4.92	Ø4.02	M12x20	M10x16	0.79	Ø1.10	F10 / F12	

SS-190~300

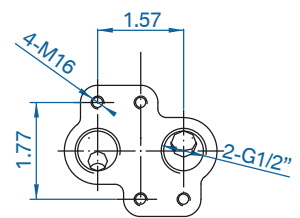
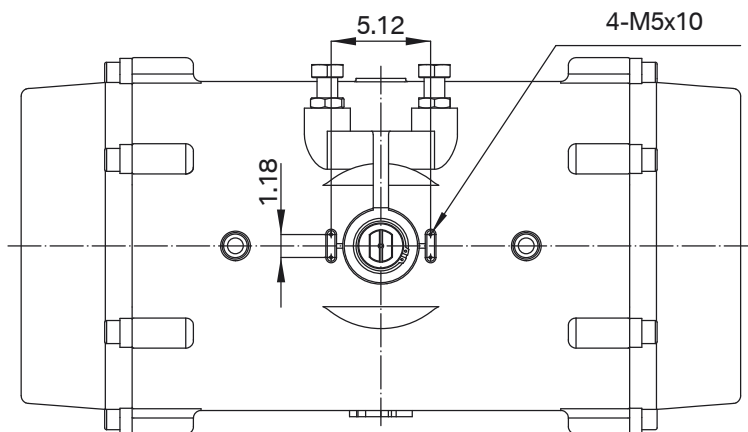
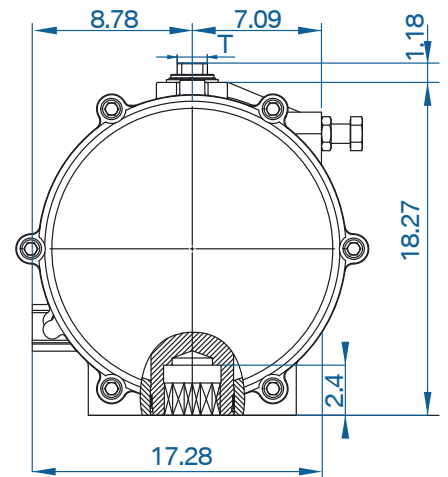
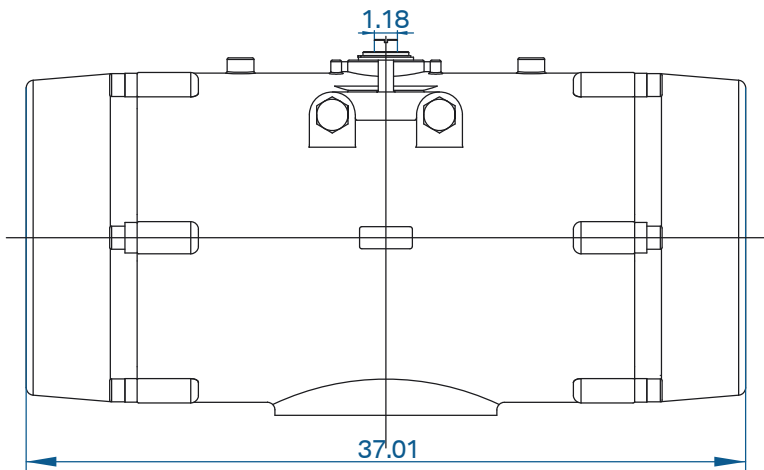
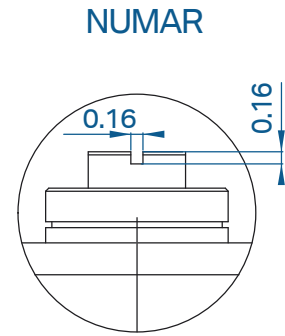
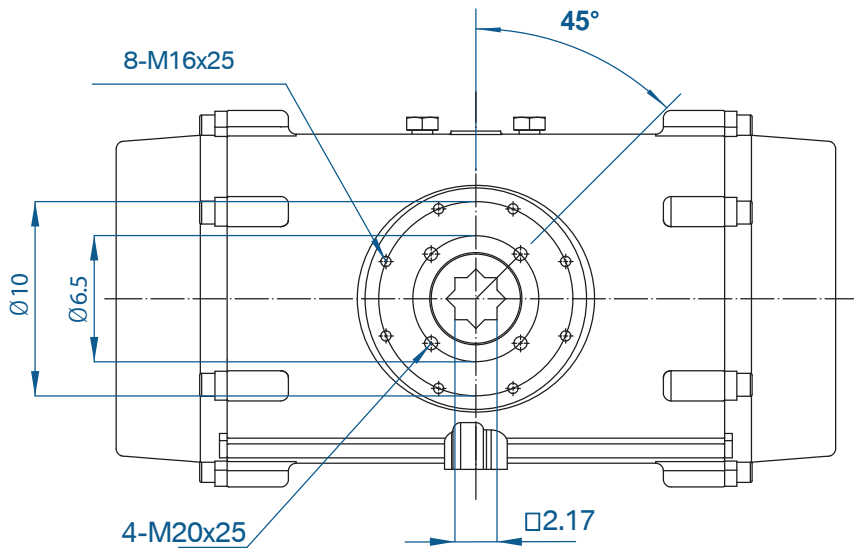


Unit: inches

Model	A	B	C	D	E	F	G	H	P	N	K	M	S	T	ISO5211
SS-190	20.79	9.06	3.39	1.18	5.16	9.25	1.57	5.12	1.18	1.42	Ø5.51	M16x25	1.18	Ø1.65	F14
SS-210	20.94	10.04	3.98	1.18	5.51	10.04	1.57	5.12	1.18	1.42	Ø5.51	M16x25	1.18	Ø1.65	F14
SS-240	23.94	11.50	4.53	1.18	6.30	11.57	1.93	5.12	1.18	1.81	Ø6.50	M20x25	1.18	Ø1.65	F16
SS-270	28.11	13.03	4.96	1.18	7.09	12.87	1.93	5.12	1.18	1.81	Ø6.50	M20x25	1.18	Ø1.65	F16
SS-300	30.83	13.94	5.67	1.18	7.64	13.98	2.20	5.12	1.18	1.81	Ø6.50	M20x25	1.18	Ø1.65	F16

Dimensions

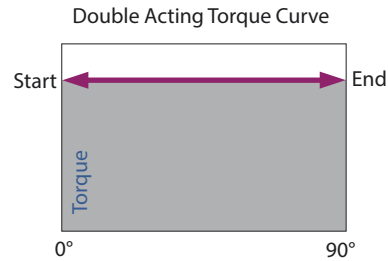
SS-400



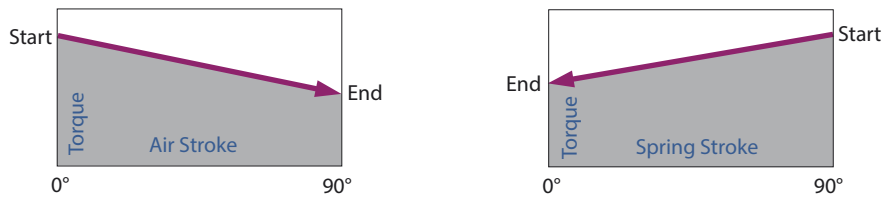
NUMAR G1/2"

Double Acting Actuators Output Torque (in-lbs)

MODEL	Air Pressure (Psi)						
	30	45	60	75	90	105	120
SS-DA45	55	83	111	138	166	193	221
SS-DA52	73	110	147	183	219	255	292
SS-DA63	134	201	267	334	401	468	535
SS-DA75	184	276	367	460	551	643	734
SS-DA83	288	430	574	718	861	1004	1148
SS-DA92	413	620	827	1034	1240	1447	1653
SS-DA105	605	908	1210	1513	1816	2119	2422
SS-DA125	918	1378	1837	2296	2756	3214	3674
SS-DA140	1566	2348	3131	3914	4697	5479	6262
SS-DA160	2435	3653	4871	6088	7306	8524	9741
SS-DA190	3896	5845	7793	9741	11689	13638	15586
SS-DA210	4871	7306	9741	12176	14612	17047	19482
SS-DA240	7045	10568	14090	17613	21135	24658	28180
SS-DA270	10708	16063	21417	26771	32125	37479	42833
SS-DA300	13971	24454	27942	34927	41912	48898	55883
SS-DA400	29809	44714	59618	74523	89428	104332	119237



Spring Return Actuators Output Torque (in-lbs)



Output Air to Spring																Spring Return Output	
Air Pressure (Psi)	2		3		4		5		6		7		8		0°	90°	
Model	Spring No.	0° Start	90° End	0° Start	90° End	0° Start	90° End	0° Start	90° End	0° Start	90° End	0° Start	90° End	0° Start	90° End	End	Start
SS-SR45	2			39	12	66	39	93	67							41	65
	3					55	22	82	49	110	77	137	104	166	133	51	87
	4							71	32	99	60	126	87	155	115	62	98
SS-SR52	4	42	27	79	64											30	44
	5			70	52											38	55
	6			63	41	100	78									44	65
	7			55	30	90	67	128	95							52	76
	8			48	18	84	55	121	83	157	129					59	88
	9			39	7	76	44	113	72	149	117	186	154			67	98
	10					68	33	105	61	142	106	179	143			75	110
	11					60	21	97	49	134	95	170	131	207	168	82	120
SS-SR63	4	84	58	151	125	218	191									48	73
	5			137	104	204	136									60	92
	6			125	85	191	152									73	111
	7			114	66	179	133									85	129
	8			100	56	167	114	233	181							96	148
	9					154	95	221	162	287	228					109	166
	10					142	75	209	143	275	209	341	276	409	342	121	185
	11							197	124	263	190	330	256	396	323	133	203
12							183	104	250	170	317	237	384	305	145	221	

*SS-SR45 springs are ordinary not pre-loaded cartridge structure.

Output Torque (in.lbs)

Spring Return Actuators Output Torque (in-lbs)

		Output Air to Spring														Spring Return Output			
Air Pressure (Psi)		2		3		4		5		6		7		8		0°	90°		
Model	Spring No.	0°	90°	0°	90°	0°	90°	0°	90°	0°	90°	0°	90°	0°	90°	End	Start		
		Start	End	Start	End	Start	End	Start	End	Start	End	Start	End	Start	End				
SS-SR75	4	107	78	199	169	290	261										74	103	
	5			178	142	270	235										93	128	
	6			158	115	251	208	343	300								112	154	
	7			139	89	232	182	324	274								131	180	
	8			120	62	211	155	305	247	396	339	488	430				150	205	
	9					192	129	286	221	376	312	469	405				168	231	
	10					174	102	264	194	357	286	450	377	541	469		187	257	
	11							247	168	339	259	430	352	522	443		205	282	
	12							228	141	320	233	411	324	503	416		224	307	
	SS-SR83	4	171	119	314	262	458	406										112	163
		5			285	220	428	347										140	204
		6			256	177	400	321	544	464								168	244
7				227	135	371	279	515	423								196	285	
8				199	92	342	236	486	380	630	524	774	667				224	326	
9						313	195	457	339	601	482	743	625				252	366	
10						284	152	428	296	571	439	715	583	859	726		280	407	
11								399	254	543	397	687	541	829	685		308	448	
12								370	212	514	356	656	499	800	643		336	489	
SS-SR92		4	242	161	449	368	656	575										165	243
		5			405	304	612	512										206	304
		6			363	242	569	449	776	656								248	365
	7			320	178	526	385	734	592								289	426	
	8			287	115	484	322	691	530	898	737	1105	943				330	487	
	9					441	260	649	467	856	674	1062	880				372	548	
	10					399	197	606	404	813	611	1019	817	1227	1024		413	608	
	11							563	341	770	548	976	754	1183	961		455	669	
	12							520	278	727	485	933	691	1140	898		496	730	
	SS-SR105	4	374	244	671	547	979	850										224	349
		5			618	457	921	760										280	435
		6			559	366	862	670	1165	972								336	523
7				503	277	805	580	1108	883								392	610	
8				444	187	747	490	1050	792	1352	1095	1655	1398				448	696	
9						689	400	992	703	1295	1005	1598	1308				504	784	
10						631	306	934	609	1237	912	1540	1214	1842	1517		560	871	
11								876	522	1178	825	1481	1127	1783	1430		616	958	
12								818	435	1122	738	1424	1040	1727	1343		672	1045	
SS-SR125		4	540	339	998	797	1456	1254										372	558
		5			897	659	1355	1117										460	699
		6			806	513	1263	980	1721	1437								558	832
	7			705	366	1163	824	1630	1291								646	974	
	8			613	229	1071	687	1529	1144	1987	1611	2454	2069				743	1106	
	9					980	540	1437	998	1895	1456	2353	1923				832	1248	
	10					879	403	1337	861	1794	1318	2261	1776	2719	2243		929	1389	
	11							1245	714	1703	1172	2161	1630	2618	2087		1018	1531	
	12							1144	577	1611	1035	2069	1492	2527	1950		1106	1664	
	SS-SR140	4	934	623	1721	1401	2499	2188										611	912
		5			1566	1163	2344	1950										761	1142
		6			1410	934	2188	1712	2975	2499								912	1372
7				1254	696	2032	1483	2820	2261								1062	1602	
8				1099	458	1877	1245	2664	2023	3442	2811	4230	3589				1212	1823	
9						1712	1007	2499	1794	3278	2573	4065	3360				1372	2053	
10						1556	769	2344	1547	3122	2335	3909	3113	4687	3900		1522	2283	
11								2179	1309	2966	2097	3744	2875	4532	3662		1673	2513	
12								2023	1080	2811	1859	3589	2646	4376	3424		1823	2744	
SS-SR160		4	1410	916	2545	2133	3845	3351										991	1469
		5			2371	1749	3589	2966										1239	1841
		6			2124	1364	3342	2582	4559	3799								1487	2213
	7			1859	980	3076	2197	4294	3415								1735	2584	
	8			1611	604	2829	1822	4047	3040	5264	4257	6482	5475				1974	2947	
	9					2563	1437	3781	2655	4999	3873	6216	5090				2221	3319	
	10					2316	1053	3534	2270	4752	3488	5969	4706	7187	5923		2469	3690	
	11							3278	1895	4495	3113	5713	4330	6930	5548		2717	4053	
	12							3021	1511	4239	2728	5456	3946	6674	5164		2965	4425	

Spring Return Actuators Output Torque (in-lbs)

Air Pressure (Psi)		Output Air to Spring														Spring Return Output		
Model	Spring No.	2		3		4		5		6		7		8		0° End	90° Start	
		0° Start	90° End	0° Start	90° End	0° Start	90° End	0° Start	90° End	0° Start	90° End	0° Start	90° End	0° Start	90° End			
SS-SR190	4	2426	1630	4376	3580	6326	5530									1416	2186	
	5			4010	3012	5960	4962									1770	2735	
	6			3644	2444	5594	4394	7544	6345							2124	3283	
	7			3278	1877	5228	3827	7178	5777							2478	3832	
	8			2911	1309	4861	3259	6811	5209	8762	7159	10702	9109			2832	4381	
	9					4495	2701	6445	4642	8395	6592	10345	8542			3186	4929	
	10					4129	2133	6079	4083	8029	6024	9979	7974	11920	9924	3540	5469	
	11							5713	3516	7663	5466	9613	7407	11563	9357	3894	6018	
	12							5347	2948	7297	4898	9247	6848	11197	8789	4248	6567	
	SS-SR210	4	2856	2087	5292	4523	7727	6958									1947	2690
		5			4788	3827	7223	6262									2434	3363
		6			4285	3131	6720	5566	9155	8002							2921	4036
7				3781	2435	6216	4871	8652	7306							3407	4708	
8				3278	1739	5713	4175	8148	6610	10583	9045	13019	11481			3894	5381	
9						5209	3479	7645	5914	10080	8350	12515	10785			4381	6053	
10						4706	2783	7141	5218	9576	7654	12012	10089	14447	12524	4868	6726	
11								6638	4523	9073	6958	11508	9393	13943	11828	5354	7399	
12								6134	3827	8569	6262	11005	8697	13440	11133	5841	8071	
SS-SR240		4	4037	2985	7562	6509	11087	10025									2903	3921
		5			6811	5493	10336	9018									3629	4903
		6			6061	4477	9585	8002	13110	11526							4337	5885
	7			5310	3470	8826	6995	12350	10519							5089	6859	
	8			4559	2454	8084	5978	11600	9494	15124	13019	18649	16543			5806	7841	
	9					7324	4962	10849	8478	14364	12002	17889	15527			6540	8832	
	10					6573	3946	10098	7471	13623	10995	17138	14520	20663	18036	7266	9806	
	11							9347	6454	12872	9979	16397	13467	19922	17019	7992	10788	
	12							8597	5438	12112	8963	15637	12479	19162	16003	8717	11771	
	SS-SR270	4	6601	4944	11957	10290	17312	15646									3965	5567
		5			10940	8862	16287	14209									4956	6965
		6			9915	7425	15262	12781	20617	18136							5947	8346
7				8899	5987	14245	11334	19601	16690							6930	9744	
8				7873	4550	13220	9897	18576	15253	23932	20617	29287	25964			7921	11133	
9						12195	8450	17550	13815	22906	19171	28262	24518			8912	12532	
10						11169	7022	16525	12378	21881	17734	27227	23080	32592	28445	9903	13912	
11								15500	10959	20855	16287	26202	21643	31567	26999	10894	15311	
12								14483	9494	19839	14859	25186	20205	30542	25561	11877	16700	
SS-SR300		4	8624	5594													5168	7514
		5			13934	10089	20792	16947									6461	9390
		6			12048	8011	19464	16681									7753	11266
	7			10556	5850	17541	12836									9045	13142	
	8			9073	3690	16058	10675	23044	17660							10337	15018	
	9					14575	8514	21560	15500	28546	22485					11629	16895	
	10					13092	6363	20077	13348	27063	20334	34048	27319	41033	34304	12921	18780	
	11							18585	11188	25570	18173	32556	25158	39541	32144	14213	20656	
	12							17102	9027	24087	16012	31073	22998	38058	29983	15505	22532	
	SS-SR400	7															16257	25488
		8			23346	11215											18585	29134
		9			20682	7031	35586	21936									20904	32772
10				18008	2847	32913	17752	47817	32657							23222	36418	
11						30240	13568	45144	28473	60049	43377					25550	40055	
12						27575	9384	42480	24289	57385	39193	72280	54089	87185	68993	27869	43701	
13								39807	20096	54711	35000	69607	49896	84511	64800	30196	47339	
14								37143	15912	52047	30816	66943	45712	81847	60616	32515	50985	
15								34469	11728	49374	26632	64269	41528	79174	56432	34842	54622	
16										46701	22448	61596	37344	76501	52249	37161	58268	

Technical Data

■ Weight

Unit: lbs

Model	45	52	63	75	83	92	105	125	140	160	190	210	240	270	300	400
DA	4.0	5.5	7.9	11.0	14.3	20.2	22.0	26.6	34.1	59.4	110.0	157.3	189.2	319.0	435.6	772.2
SR	4.2	5.7	8.4	11.7	15.2	22.0	24.0	29.7	39.6	67.8	125.8	178.4	218.2	367.4	497.2	871.2

■ Air Consumption

Unit: cube inches

Model Action	45	52	63	75	83	92	105	125	140	160	190	210	240	270	300	400
OPEN	4.9	7.3	12.8	18.3	25.6	39.1	58.0	90.9	150.7	232.5	375.3	459.5	676.8	1013.6	1399.9	3057.9
CLOSED	6.7	9.2	14.0	22.6	32.9	54.9	72.6	112.3	192.8	299.6	479.0	606.6	879.4	1348.0	1720.3	4086.8

■ Operating Time

Air Pressure: 75 Psi Unit: s

Double Acting			Spring Return														
Size	0°-90°	90°-0°	Size	Spring Qty													
				3+3		3+4		4+4		4+5		5+5		5+6		6+6	
				0°-90°	90°-0°	0°-90°	90°-0°	0°-90°	90°-0°	0°-90°	90°-0°	0°-90°	90°-0°	0°-90°	90°-0°	0°-90°	90°-0°
SS-DA45	0.55	0.47	SS-SR45	2.35	0.37	2.37	0.36	2.39	0.35	2.41	0.33	2.43	0.31	2.45	0.29	2.47	0.27
SS-DA52	0.6	0.53	SS-SR52	2.46	0.48	2.48	0.46	2.5	0.44	2.52	0.42	2.54	0.4	2.56	0.38	2.58	0.36
SS-DA63	0.66	0.58	SS-SR63	2.54	0.56	2.56	0.54	2.58	0.52	2.6	0.5	2.62	0.48	2.64	0.46	2.66	0.44
SS-DA75	0.72	0.64	SS-SR75	2.62	0.64	2.64	0.62	2.66	0.6	2.68	0.58	2.7	0.56	2.72	0.54	2.74	0.52
SS-DA83	0.83	0.73	SS-SR83	2.71	0.73	2.73	0.71	2.75	0.69	2.77	0.67	2.79	0.65	2.81	0.63	2.83	0.61
SS-DA92	1	0.86	SS-SR92	2.89	0.86	2.91	0.84	2.93	0.82	2.95	0.8	2.97	0.78	2.99	0.76	3.01	0.74
SS-DA105	1.35	1.3	SS-SR105	3.14	0.91	3.16	0.89	3.18	0.87	3.2	0.85	3.22	0.83	3.24	0.81	3.26	0.79
SS-DA125	2.4	1.79	SS-SR125	4.24	1.2	4.26	1.18	4.28	1.16	4.3	1.14	4.32	1.12	4.34	1.1	4.36	1.08
SS-DA140	2.5	2.1	SS-SR140	4.4	1.35	4.4	1.33	4.62	1.31	4.64	1.29	4.66	1.27	4.68	1.25	4.68	1.22
SS-DA160	3.93	2.6	SS-SR160	4.74	1.77	4.76	1.75	4.78	1.73	4.8	1.71	4.82	1.69	4.82	1.67	4.84	1.65
SS-DA190	4.55	3.45	SS-SR190	5.75	3.7	5.77	3.5	5.75	3.48	5.77	3.46	5.79	3.44	5.8	3.42	5.83	3.4
SS-DA210	5.5	4.35	SS-SR210	8.25	4.8	8.4	4.6	8.42	4.58	8.44	4.56	8.46	4.54	8.48	4.52	8.5	4.5
SS-DA240	8.4	8.33	SS-SR240	16.2	5.14	16.4	5.12	16.42	5.1	16.44	4.9	16.6	4.98	16.8	4.86	17	4.84
SS-DA270	10.9	8.53	SS-SR270	17.6	6.28	17.8	6.26	17.6	6.24	17.8	6.2	18	6.18	18.2	6.16	18.4	6.14
SS-DA300	15	14.9	SS-SR300	24	13.2	24.5	13	24.4	12.8	24.3	12.6	24.5	12.58	24.7	12.56	24.9	12.54
SS-DA400	31	29	SS-SR400	45	27	51	27	51.3	26.8	51.5	26.8	51.7	26.6	51.9	26.4	52.1	26.2



WWW.FLOTITE.COM



Flo-Tite, Inc.
4815 w. 5TH ST.
Lumberton, NC 28358

www.flotite.com
www.airconactuators.com

Tel: (910) 738-8904
Fax: (910) 738-9112
SALES@FLOTITE.COM