

EASH LINK

Valve Automation Hardware



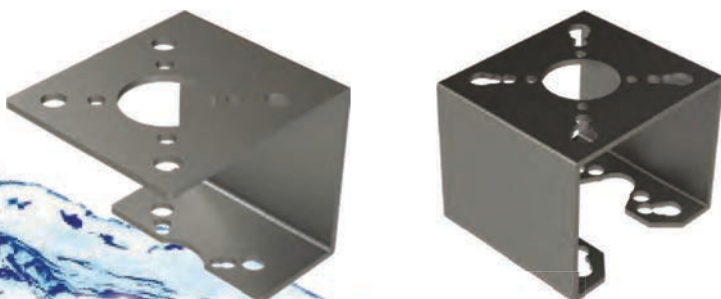
Cast
bracket
for added
strength

**One of the Largest
Selections Of Couplers and
brackets on the Market!**



Large selection of couplers will adapt to most actuator female square drives with ISO 5211 dimensions.

ISO Mounting Holes Standard



Limit Switch
Bracket

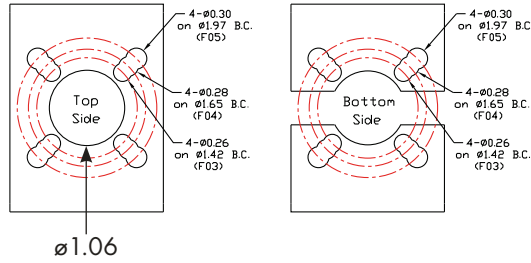
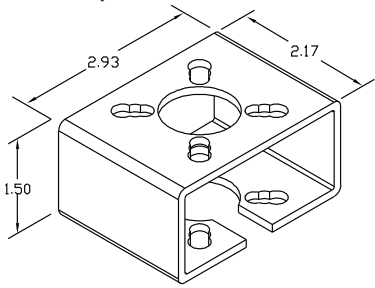
BK3H



BK0

Fabricated Type Bracket
CF8 / 304 SS or CS Plated

* 1/4" - 1"



ISO Pattern
Actuator

ISO Pattern
Valve

F03

F03

F04

F04

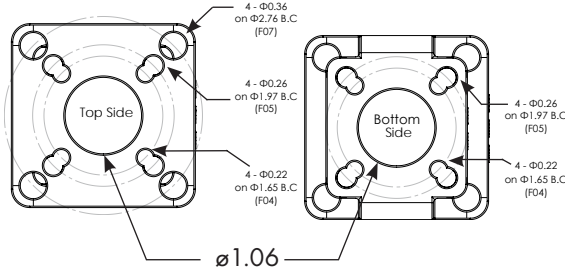
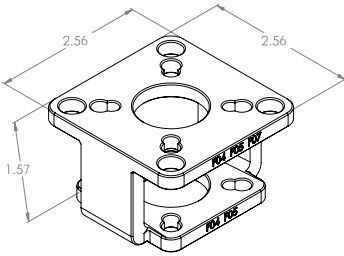
F05

F05

BK1

Investment Cast Bracket
CF8 / 304 SS or WCB Plated

* 1/2" - 1 1/2"



ISO Pattern
Actuator

ISO Pattern
Valve

F04

[F03] Optional

F05

F04

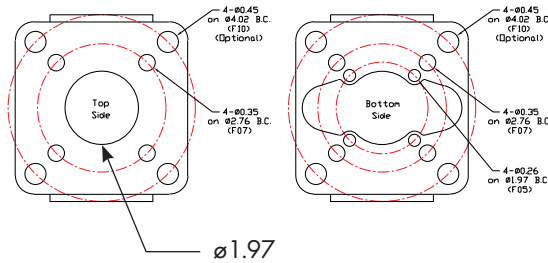
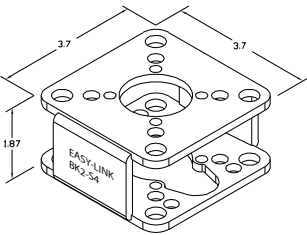
F07

F05

BK2

Investment Cast Bracket
CF8 / 304 SS or WCB Plated

* 1 1/2" - 2 1/2"



ISO Pattern
Actuator

ISO Pattern
Valve

F05

F07

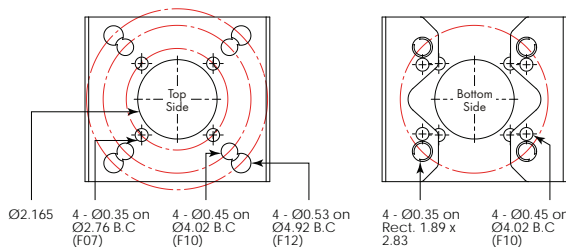
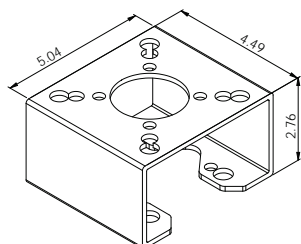
F07

F10

F10

BK2.5

Fabricated Type Bracket
CF8 / 304 SS, CS Plated, or WCB Plated * 2 1/2" - 6"



ISO Pattern
Actuator

ISO Pattern
Valve

F07

F10

F10

RECT 1.89 x 2.83

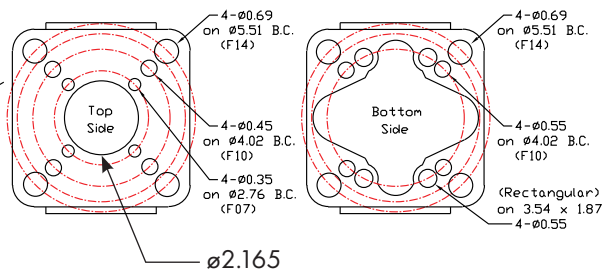
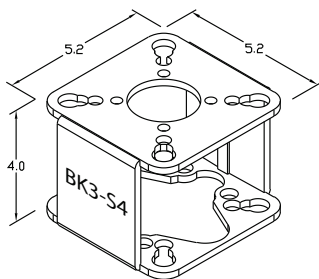
F12

*Valve sizing reference for Flo-Tite models only. Refer to dimensions for other manufacturer's products.

BK3

Investment Cast
304SS or WCB Plated

*2½"-6"



ISO Pattern
Actuator

ISO Pattern
Valve

F07

F10

F10

[F14] Optional

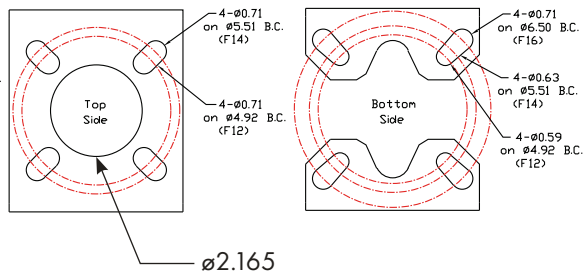
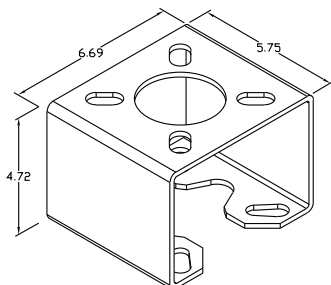
F14

RECT 3.54 x 1.87

BK3H

Fabricated Type
CF8 / 304 SS or CS Plated

*6"-10"



ISO Pattern
Actuator

ISO Pattern
Valve

F07

F10

F10

F12

F12

F14

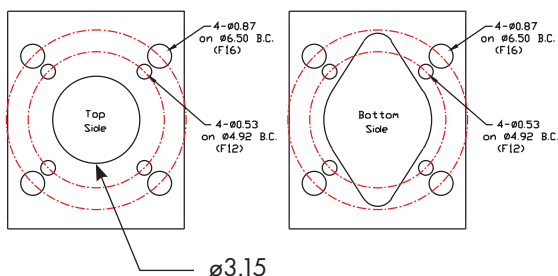
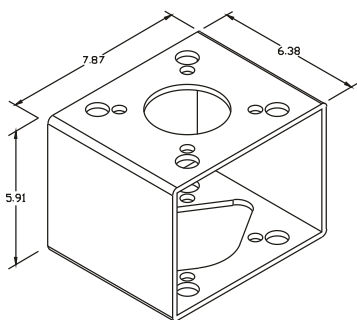
F14

RECT 3.54 x 1.87

BK4

Fabricated Type
CF8 / 304 SS or CS Plated

*6"-10"



ISO Pattern
Actuator

ISO Pattern
Valve

F12

F12

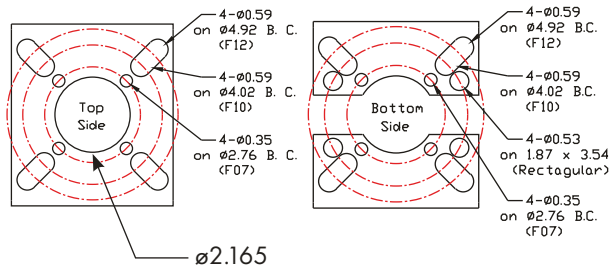
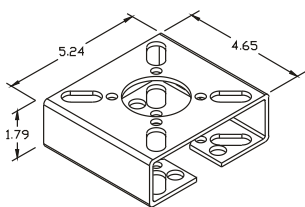
F16

F16

BK5

Fabricated Type
CF8 / 304 SS or CS Plated

*2½"-6"



ISO Pattern
Actuator

ISO Pattern
Valve

F07

F07

F10

F10

F12

F12

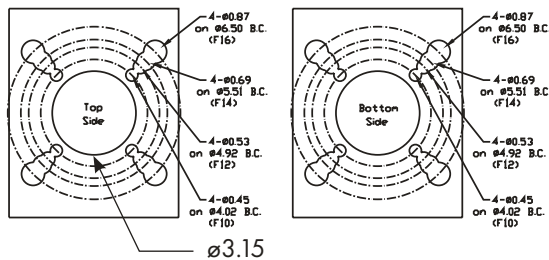
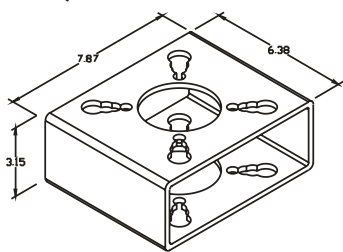
F14

RECT 3.54 x 1.87

*Valve sizing reference for Flo-Tite models only. Refer to dimensions for other manufacturer's products.

BK6

Fabricated Type
CF8 / 304 SS or CS Plated



ISO Pattern
Actuator

ISO Pattern
Valve

F10

F10

F12

F12

F14

F14

F16

F16

*** Ideal for larger size butterfly valves**

BK7

Fabricated Type
CF8 / 304 SS or CS Plated

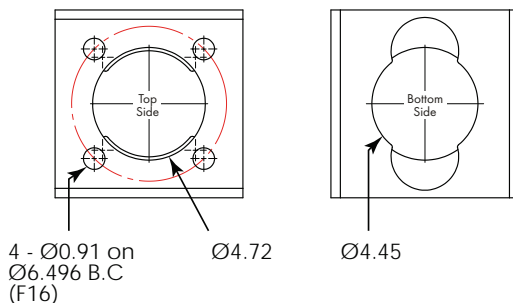
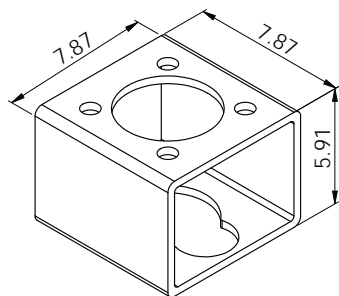
*** 6"-12"**

ISO Pattern
Actuator

ISO Pattern
Valve

F16

Consult Factory



BK10

Fabricated Type
CF8 / 304 SS or CS Plated

*** 8"-12"**

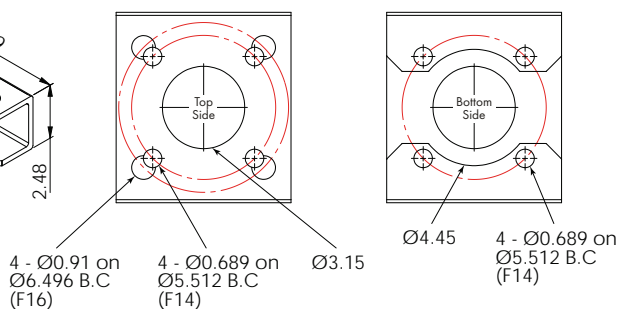
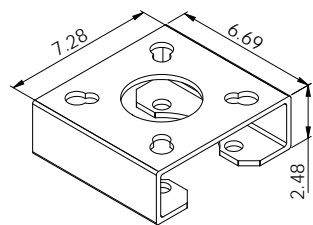
ISO Pattern
Actuator

ISO Pattern
Valve

F14

F14

F16



*** All brackets can be turned upside-down for additional mounting configurations.**

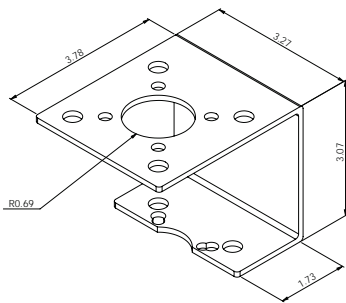


*** Valve sizing reference for Flo-Tite models only. Refer to dimensions for other manufacturer's products.**

LS4

Fabricated Type
CF8 / 304 SS or CS Plated

* 1/4"-2"



ISO Pattern
Actuator

F05

B.C. DIA 3.18

ISO Pattern
Valve

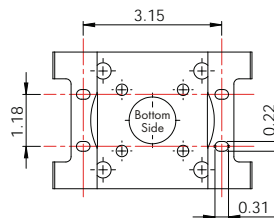
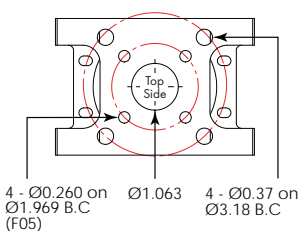
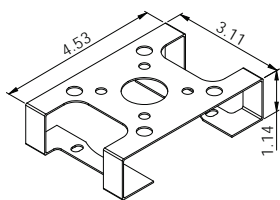
F04

F05

F07

LS5

Fabricated Type
CF8 / 304 SS or CS Plated
(Refer to Tech Bulletin 154E)



ISO Pattern
Actuator

F05

B.C. DIA 3.18

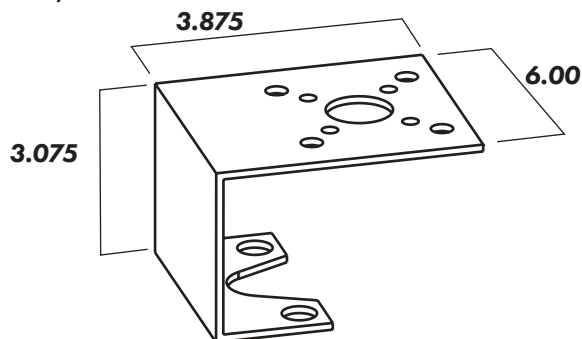
ISO Pattern
Valve

3.15 x 1.18

LS7M

Fabricated Type
CF8 / 304 SS or CS Plated

* 2 1/2"-6"



ISO Pattern
Actuator

F05

B.C. DIA 3.18

ISO Pattern
Valve

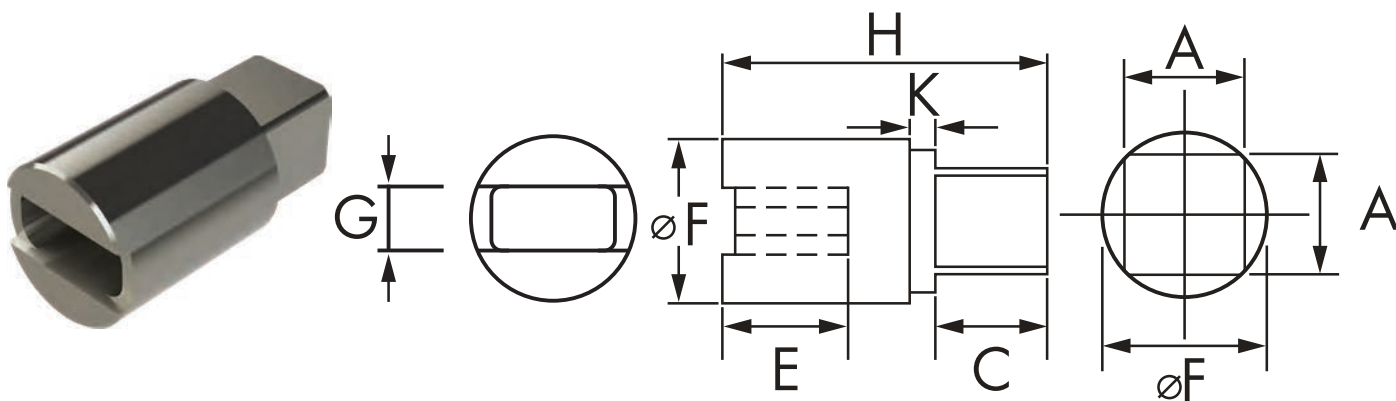
F10

* All brackets can be turned upside-down for additional mounting configurations.



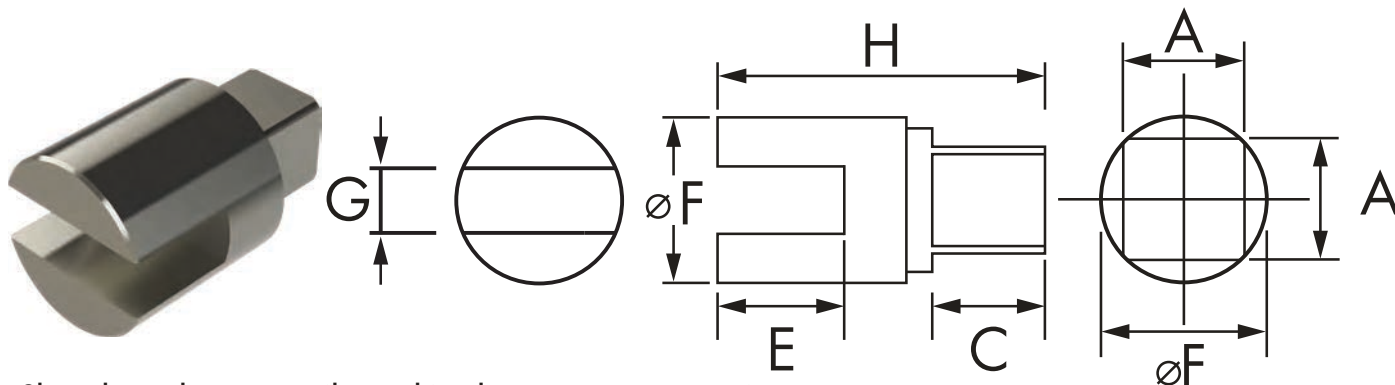
* Valve sizing reference for Flo-Tite models only. Refer to dimensions for other manufacturer's products.

ISO Square Encapsulated Couplers



CPLR-050 (304 SS)									
Model	Square (A)	Slot (G)	Slot Depth (E)	Shoulder Height (H-C)	Weight	Length (H)	Sq. Height (C)	Diameter (F)	Lip (K)
050A	0.43	0.25	0.354	1.09	0.17	1.80	0.51	0.79	0.197
050B	0.43	0.315	0.47	1.00	0.18	1.70	0.51	0.87	0.197
CPLR-063 (304 SS)									
063A	0.55	0.25	0.354	1.07	0.20	1.82	0.55	0.79	0.197
063B	0.55	0.315	0.47	0.96	0.20	1.70	0.55	0.87	0.197
063C	0.55	0.375	0.512	1.24	0.29	1.99	0.55	0.98	0.197
CPLR-075 (304 SS)									
075A	0.667	0.25	0.354	1.28	0.29	2.02	0.75	0.87	-
075B	0.667	0.315	0.47	1.17	0.26	1.92	0.75	0.87	-
075C	0.667	0.375	0.512	1.24	0.35	2.19	0.75	0.98	0.197
075D	0.667	0.67	1.26	2.13	1.13	2.87	0.75	1.69	-
075DM	0.667	0.67	0.98	1.57	0.83	2.36	0.79	1.69	-
CPLR-0100 (304 SS)									
100C	0.866	0.375	0.512	1.44	0.53	2.33	0.90	1.10	-
100D	0.866	0.67	1.26	2.13	1.21	2.99	0.87	1.69	-
100DM	0.866	0.67	0.98	1.58	0.91	2.36	0.79	1.69	-
100DH	0.866	0.67	1.26	2.835	1.67	3.70	0.86	1.69	-
CPLR-125 (304 SS)									
125C	1.06	0.375	0.512	1.44	0.95	2.56	1.13	1.42	-
125D	1.06	0.67	1.26	2.13	1.37	3.23	1.10	1.69	-
125G	1.06	0.91	1.77	2.60	2.36	3.70	1.10	2.13	-
125DH	1.06	0.67	1.26	2.83	1.85	3.94	1.10	1.69	-
CPLR-200/210 (304 SS Plated)									
200D	1.41	0.67	1.26	2.13	2.19	3.62	1.50	1.89	-
210E	1.41	1.024	1.67	2.25	4.24	4.15	1.50	2.64	0.39
210G	1.41	0.91	1.77	2.60	2.73	4.09	1.50	2.13	-
CPLR-270 (304 SS/CS Plated)									
270EL	1.81	1.024	1.67	3.84	6.6	5.6	1.76	2.64	-
270ES	1.81	1.024	1.57	3.00	4.9	4.29	1.30	2.64	-
270F	1.81	1.375	1.89	4.055	8.27	5.94	1.89	3.07	0.39

ISO Square Slotted Couplers



Slotted couplers are easily machined to meet custom requirements

CPLR-050 (304 SS)								
Model	Square (A)	Slot (G)	Slot Depth (E)	Shoulder Height (H-C)	Weight	Length (H)	Sq. Height (C)	Diameter (F)
050BT	0.43	0.315	0.52	1.13	0.23	1.68	0.55	1.00
050I	0.43	0.20	0.52	1.26	0.28	1.81	0.55	1.00
050II	0.43	0.24	0.52	1.26	0.27	1.81	0.55	1.00
CPLR-063 (304 SS)								
063BT	0.55	0.315	0.52	1.13	0.25	1.68	0.55	1.00
063I	0.55	0.20	0.52	1.26	0.30	1.81	0.55	1.00
063II	0.55	0.24	0.52	1.26	0.29	1.81	0.55	1.00

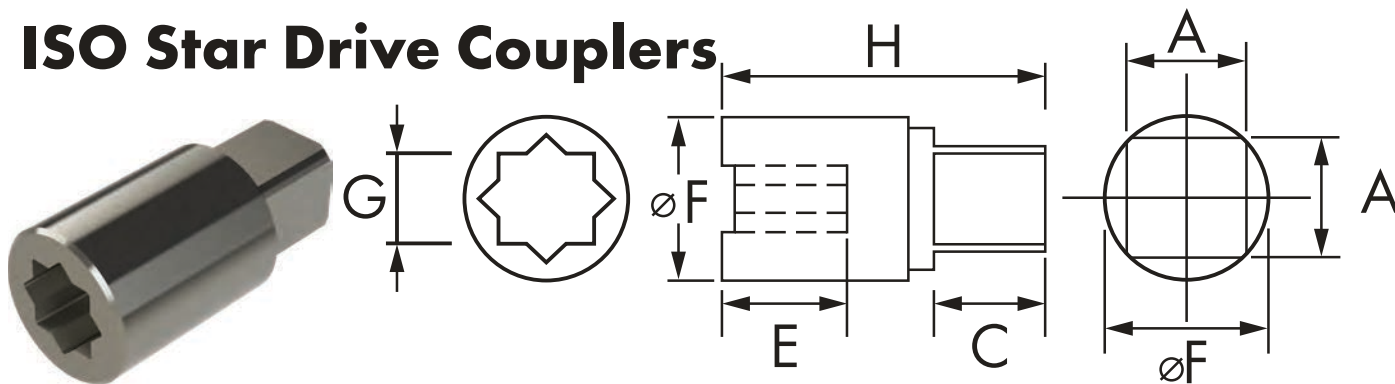


Keyless Lock System for Couplers

Key-Lock Couplers prevent coupler from shifting in operation which can cause mechanical malfunction.

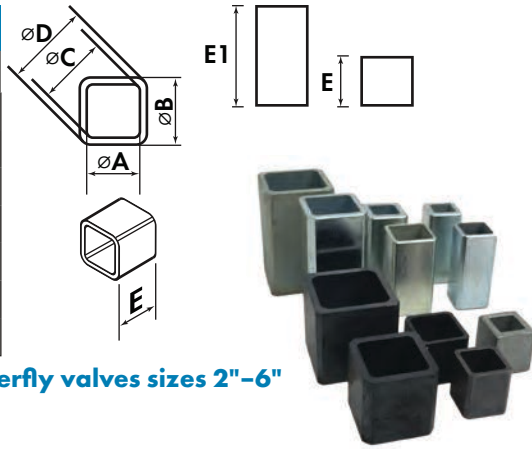


ISO Star Drive Couplers



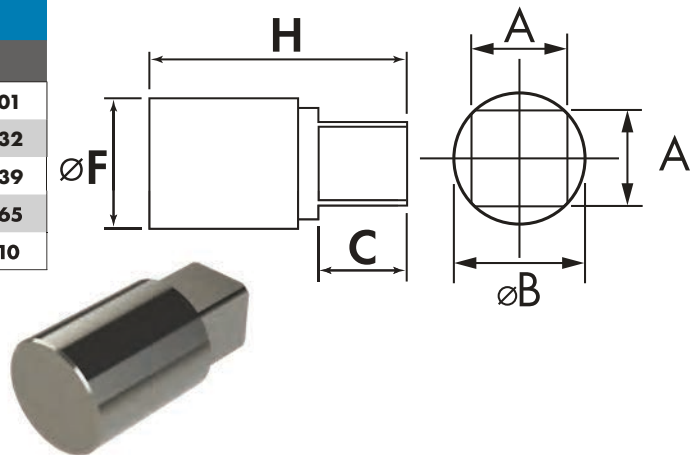
CPLR-063 (304 SS)								
Model	Square (A)	Slot (G)	Slot Depth (E)	Shoulder Height (H-C)	Weight	Length (H)	Sq. Height (C)	Diameter (F)
063MP-SQ	0.55	0.43 SQ	0.62	1.27	0.22	1.89	0.63	0.87
CPLR-100 (304 SS)								
100D-SQ	0.86	0.67 SQ	0.72	1.79	0.85	2.74	0.95	1.40
100MP-SQ	0.86	0.55 SQ	0.71	1.50	0.52	2.44	0.94	1.11

Square Insert Adapters							
Model	Part ID	A	B	C	D	E	E1*
SQ-1109	ST039	0.35	0.43	0.48	0.56	0.39	1.26
SQ-1411	ST016	0.43	0.55	0.56	0.71	0.63	1.26
SQ-1711	ST020	0.43	0.67	0.56	0.87	0.67	1.25
SQ-1714	ST021	0.55	0.67	0.72	0.87	0.67	1.25
SQ-2217	ST019	0.67	0.87	0.88	1.10	0.87	1.74
SQ-2722	ST017	0.87	1.06	1.12	1.42	1.06	1.74
SQ-3627	ST018	1.06	1.42	1.42	1.77	1.42	2.83



*E1 Type insert offers added height ideal for butterfly valves sizes 2"-6"

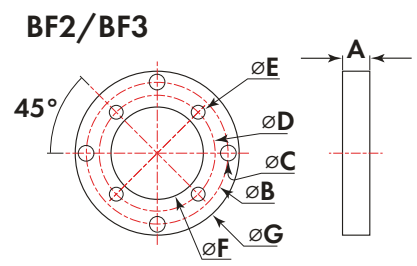
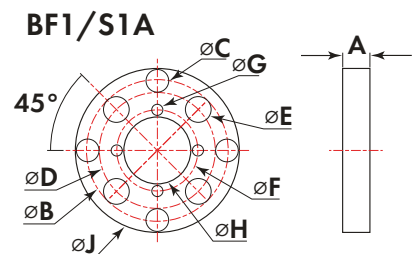
ISO Square Blank Couplers					
Model	A	B	C	F	H
22B	0.67	0.87	0.51	0.87	2.01
28C	0.86	1.10	0.75	1.10	2.32
36D	1.06	1.41	0.87	1.42	3.39
80ES	2.00	2.37	1.50	3.15	4.65
80EL	2.00	2.37	1.77	3.15	6.10



Custom Fabricated Stem Extensions

Butterfly ISO Spacer Plates (Plated Steel)										
Model	A	B	C	D	E	F	G	H	J	FO Pattern
BF1	0.75	3.25*	0.47	2.76	0.39	1.97	0.29	1.49	3.86	F05/F07
S1A	0.50	3.25*	0.47	2.76	0.39	1.97	0.29	1.49	3.86	F05/F07
BF2	0.98	4.92	0.55	4.02	0.47	3.15	5.71			F10/12
BF3	0.50	4.92	0.55	4.02	0.47	3.15	6.00			F10/12

*Bolt circle in accordance with many Keystone/Bray valves



Easy-Link is a leading close tolerance custom manufacturer of mounting brackets and specialty products for use with valves, actuators, limit switches, positioners and many more items used in today's valve industry.



4815 West 5th Street www.flotite.com
Lumberton NC, 28358

Office: 910.738.8904
Fax: 910.738.9112
sales@flotite.com